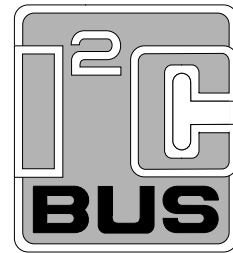


# **USER MANUAL**



## **P89C669**

80C51 8-bit microcontroller family with extended memory  
96kB FLASH with 2kB RAM

**Preliminary**

**2003 Jun 17**

## Extended Address Range Microcontroller

P89C669

<b>1</b>	<b>INTRODUCTION .....</b>	<b>5</b>
1.1	The 51MX CPU CORE .....	5
1.2	P89C669 microcontrollers .....	5
1.3	P89C669 Logic Symbol.....	8
1.4	P89C669 Block Diagram.....	9
<b>2</b>	<b>Memory Organization .....</b>	<b>10</b>
2.1	Programmer's Models and Memory Maps .....	10
2.2	Data Memory (DATA, IDATA, and EDATA).....	11
2.2.1	Registers R0 - R7 .....	12
2.2.2	Bit Addressable RAM.....	12
2.2.3	Extended Data Memory (EDATA).....	13
2.2.4	Stack.....	13
2.2.5	MX Control Register (MXCON).....	14
2.2.6	General Purpose RAM.....	16
2.3	Special Function Registers (SFRs) .....	17
2.4	External Data Memory (XDATA).....	18
2.5	High Data Memory (HDATA) .....	18
2.6	Program Memory (CODE) .....	20
2.7	Universal Pointers.....	21
<b>3</b>	<b>51MX Instructions .....</b>	<b>26</b>
3.1	Instruction Set Summary .....	28
3.2	51MX Operation Code Charts .....	29
<b>4</b>	<b>External Bus .....</b>	<b>34</b>
4.1	Multiplexed External Bus .....	34
<b>5</b>	<b>Interrupt Processing .....</b>	<b>36</b>
<b>6</b>	<b>P89C669 Ports, Power Control and Peripherals.....</b>	<b>40</b>
6.1	Special Function Registers.....	40
6.2	P89C669 Ports .....	43
6.2.1	Ports 0, 1, 2, 3 .....	43
6.2.2	Port 4.....	44
6.3	P89C669 Low Power Modes .....	44
6.3.1	Stop Clock Mode .....	44
6.3.2	Idle Mode.....	44
6.3.3	Power-Down Mode.....	44
6.3.4	Power-On Flag.....	45
6.4	Timers/Counters 0 and 1 .....	45
6.4.1	Mode 0 .....	47
6.4.2	Mode 1 .....	48
6.4.3	Mode 2 .....	48
6.4.4	Mode 3 .....	49

## Extended Address Range Microcontroller

P89C669

6.5	Timer 2.....	49
6.5.1	Capture Mode .....	51
6.5.2	Auto-Reload Mode (Up or Down Counter).....	51
6.5.3	Programmable Clock-Out .....	53
6.5.4	Baud Rate Generator Mode For UART 0 (Serial Port 0) .....	53
6.5.5	Summary Of Baud Rate Equations .....	55
6.6	UARTS .....	55
6.6.1	Mode 0 .....	55
6.6.2	Mode 1 .....	55
6.6.3	Mode 2 .....	56
6.6.4	Mode 3 .....	56
6.6.5	SFR and Extended SFR Spaces .....	56
6.6.6	Baud Rate Generator and Selection .....	57
6.6.7	Framing Error .....	60
6.6.8	Status Register .....	61
6.6.9	More About UART Mode 1.....	62
6.6.10	More About UART Modes 2 and 3 .....	63
6.6.11	Examples of UART Data Transfer Using Different Modes .....	63
6.6.12	Double Buffering .....	64
6.6.13	Transmit Interrupts with Double Buffering .....	65
6.6.14	The 9th Bit (Bit 8) in Double Buffering .....	66
6.6.15	Multiprocessor Communications .....	66
6.6.16	Automatic Address Recognition.....	66
6.7	I2C Serial Interface.....	68
6.7.1	I2C Data Register.....	69
6.7.2	I2C Slave Address Register .....	69
6.7.3	I2C Control Register .....	70
6.7.4	I2C Status Register .....	71
6.7.5	I2C SCL Duty Cycle Register I2SCLH and I2SCLL.....	72
6.7.6	Master Transmitter Mode .....	73
6.7.7	Master Receiver Mode.....	73
6.7.8	Slave Receiver Mode .....	74
6.7.9	Slave Transmitter Mode.....	75
6.8	Watchdog Timer .....	83
6.8.1	Watchdog Function.....	83
6.8.2	Feed Sequence .....	84
6.8.3	WDT Control .....	84
6.8.4	WatchDog Reset Width .....	84
6.8.5	Reading from the WDCON SFR .....	85
6.8.6	Software Reset Via WatchDog Timer Feed Sequence .....	85
6.9	Additional Features.....	87
6.9.1	Expanded Data RAM Addressing.....	87
6.9.2	Dual Data Pointers .....	88
6.10	Programmable Counter Array (PCA) .....	88
6.10.1	PCA Capture Mode.....	92

## Extended Address Range Microcontroller

P89C669

6.10.2	16-bit Software Timer Mode .....	93
6.10.3	High Speed Output Mode .....	94
6.10.4	Pulse Width Modulator Mode.....	94
6.10.5	PCA Watchdog Timer .....	95
<b>7</b>	<b>Flash Memeory General Description .....</b>	<b>97</b>
7.1	In-System Programming (ISP) and In-Application Programming (IAP) .....	97
7.2	Capabilities of the Philips 89C51 Flash-based Microcontroller .....	97
7.2.1	Flash organization.....	97
7.2.2	Flash Programming and Erasure .....	97
7.2.3	Boot Flash .....	98
7.2.4	Power-On Reset Code Execution .....	98
7.3	Hardware Activation of the Boot Loader .....	99
7.4	In-System Programming (ISP).....	99
7.4.1	Using the In-System Programming (ISP) .....	100
7.4.2	In Application Programming Method.....	103
7.4.3	Using the Watchdog Timer (WDT) .....	103

# 1 INTRODUCTION

## 1.1 THE 51MX CPU CORE

Philips Semiconductor's 51MX (Memory eXtension) core is based on an accelerated 80C51 architecture that executes instructions at twice the rate of standard 80C51 devices. The linear, unsegmented address space of the 51MX core has been expanded from the original 64 kilobytes (kB) limit to support up to 8 megabytes (MB) of program memory and 8 MB of data memory. It retains full program code compatibility to enable design engineers to reuse 80C51 development tools, eliminating the need to move to a new, unfamiliar architecture. The 51MX core retains 80C51 bus compatibility to allow for the continued use of 80C51-interfaced peripherals and Application-Specific Integrated Circuits (ASICs). However, by entering the Extended Addressing Mode in order to access either data or code beyond 64 kB, the bus interface changes.

The 51MX core is completely backward compatible with the 80C51: code written for the 80C51 may be run on 51MX-based derivatives with no changes.

Summary of differences between the classic 80C51 architecture and the 51MX core:

- Program Counter: The Program Counter is extended to 23 bits.
- Extended Data Pointer: A 23-bit Extended Data Pointer called the EPTR has been added in order to allow simple adjustment to existing assembly language programs that must be expanded to address more than 64 kB of data memory.
- Stack: Two independent alternate Stack modes are added. The first causes addresses pushed onto the Stack by interrupts to be expanded to 23 bits. The second allows Stack extension into a larger memory space.
- Instruction set: A small number of instructions have extended addressing modes to allow full use of extended code and data addressing.
- Addressing Modes: A new addressing mode, Universal Pointer Mode, is added that allows accessing all of the data and code areas except for SFRs using a single instruction. This mode produces major improvements in size and performance of compiled programs.
- Six clock cycles per machine cycle.

The 51MX core is described in more details in the 51MX Architecture Reference.

## 1.2 P89C669 MICROCONTROLLERS

The P89C669 represents the first FLASH microcontroller based on the Philips Semiconductor's new 51MX core. The P89C669 features 96 kB of FLASH program memory and 2 kB of data SRAM. In addition, this device is equipped with a Programmable Counter Array, a watchdog timer that can be configured to different time ranges, as well as two enhanced UARTs and byte based Fast I<sup>2</sup>C serial interface (400 kb/s).

The P89C669 provides greater functionality, increased performance, and overall lower system cost. By offering an embedded memory solution combined with the enhancements to manage the memory extension, the P89C669 eliminates the need for software workarounds. The increased program memory enables design engineers to develop more complex programs in a high-level language like C, for example, without struggling to contain the program within the traditional 64 kB of program memory. These enhancements also greatly improve C language efficiency for code sizes below 64 kB.

The P89C669 device contains a non-volatile Flash program memory that is both parallel programmable and serial In-System and In-Application Programmable. In-System Programming (ISP) allows the user to download new code while the microcontroller sits in the application. In-Application Programming (IAP) means that the microcontroller fetches new program code and reprograms itself while in the system. This allows for remote programming over a modem link. A default serial loader (boot loader) program in ROM allows serial In-System programming of the Flash memory via the UART without the need for a loader in the Flash code. For In-Application Programming, the user program erases and reprograms the Flash memory by use of standard routines contained in ROM.

---

## Extended Address Range Microcontroller

P89C669

---

### KEY FEATURES

- Extended features of the 51MX Core:
  - 23-bit program memory space and 23-bit data memory space - linear program and data address range expanded to support up to 8 MB each
  - Program counter expanded to 23 bits
  - Stack pointer extended to 16 bits enabling stack space beyond the 80C51 limitation
  - New 23-bit extended data pointer and two 24-bit universal pointers greatly improve C compiler code efficiency in using pointers to access variables in different spaces.
- 100% binary compatibility with the classic 80C51 so that existing code is completely reusable
- Up to 24 MHz CPU clock with 6 clock cycles per machine cycle
- 96 kB of on-chip program FLASH
- 2 kB of on-chip data RAM
- Programmable Counter Array (PCA)
- Two full-duplex enhanced UARTs
- byte based I<sup>2</sup>C serial interface

### KEY BENEFITS

- Increases program/data address range to 8 MB each
- Enhances performance and efficiency for C programs
- Fully 80C51-compatible microcontroller
- Provides seamless and compelling upgrade path from classic 80C51
- Preserves 80C51 code base, investment/knowledge, and peripherals & ASICs
- Supported by 80C51 development and programming tools
- The P89C669 makes it possible to develop applications at a lower cost and with a reduced time-to-market

### COMPLETE FEATURES

- Fully static
- Up to 24 MHz CPU clock with 6 clock cycles per machine cycle
- 96 kB of on-chip FLASH with In-System Programming (ISP) and In-Application Programming (IAP) capability
- 2 kB of on-chip RAM
- 23-bit program memory space and 23-bit data memory space
- Four-level interrupt priority
- 32 I/O lines (4 ports)
- Three Timers: Timer0, Timer1 and Timer2
- Byte based I<sup>2</sup>C serial interface
- Two full-duplex enhanced UARTs with baud rate generator
- Framing error detection
- Automatic address recognition
- Power control modes
- Clock can be stopped and resumed
- Idle mode
- Power down mode
- Second DPTR register
- Asynchronous port reset
- Programmable Counter Array (PCA) (compatible with 8xC51Rx+) with five Capture/Compare modules

---

## Extended Address Range Microcontroller

---

P89C669

- Low EMI (inhibit ALE)
- Watchdog timer with programmable prescaler for different time ranges (compatible with 8xC66x with added prescaler)

### **80C51 COMPATIBILITY FEATURES OF THE 51MX CORE**

- 100% binary compatibility with the classic 80C51 so that existing code is completely reusable
- Linear program and data address range expanded to support up to 8 MB each
- Program counter and data pointers expanded to 23 bits
- Stack pointer extended to 16 bits

### 1.3 P89C669 LOGIC SYMBOL

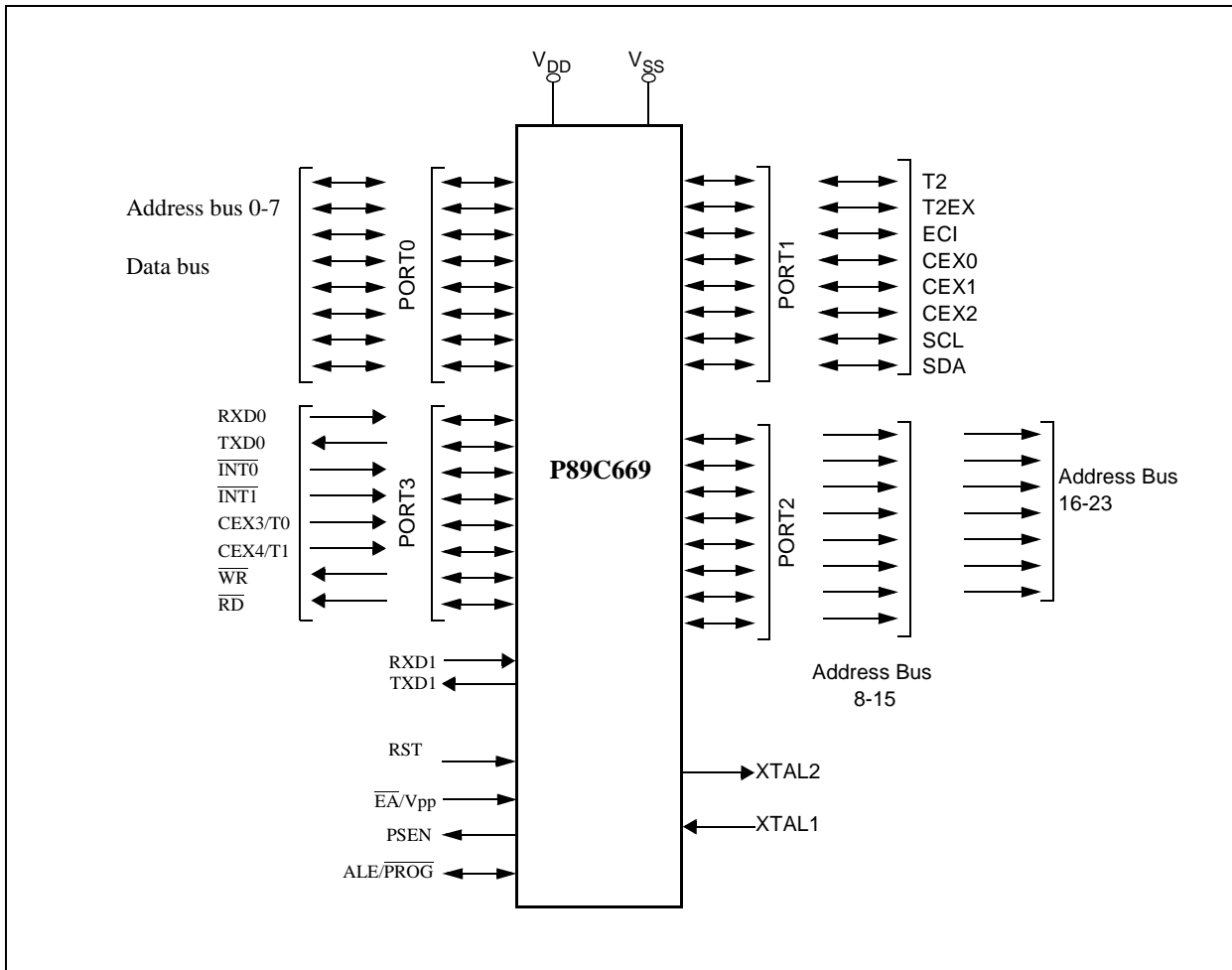


Figure 1: P89C669 logic symbol



### 1.4 P89C669 BLOCK DIAGRAM

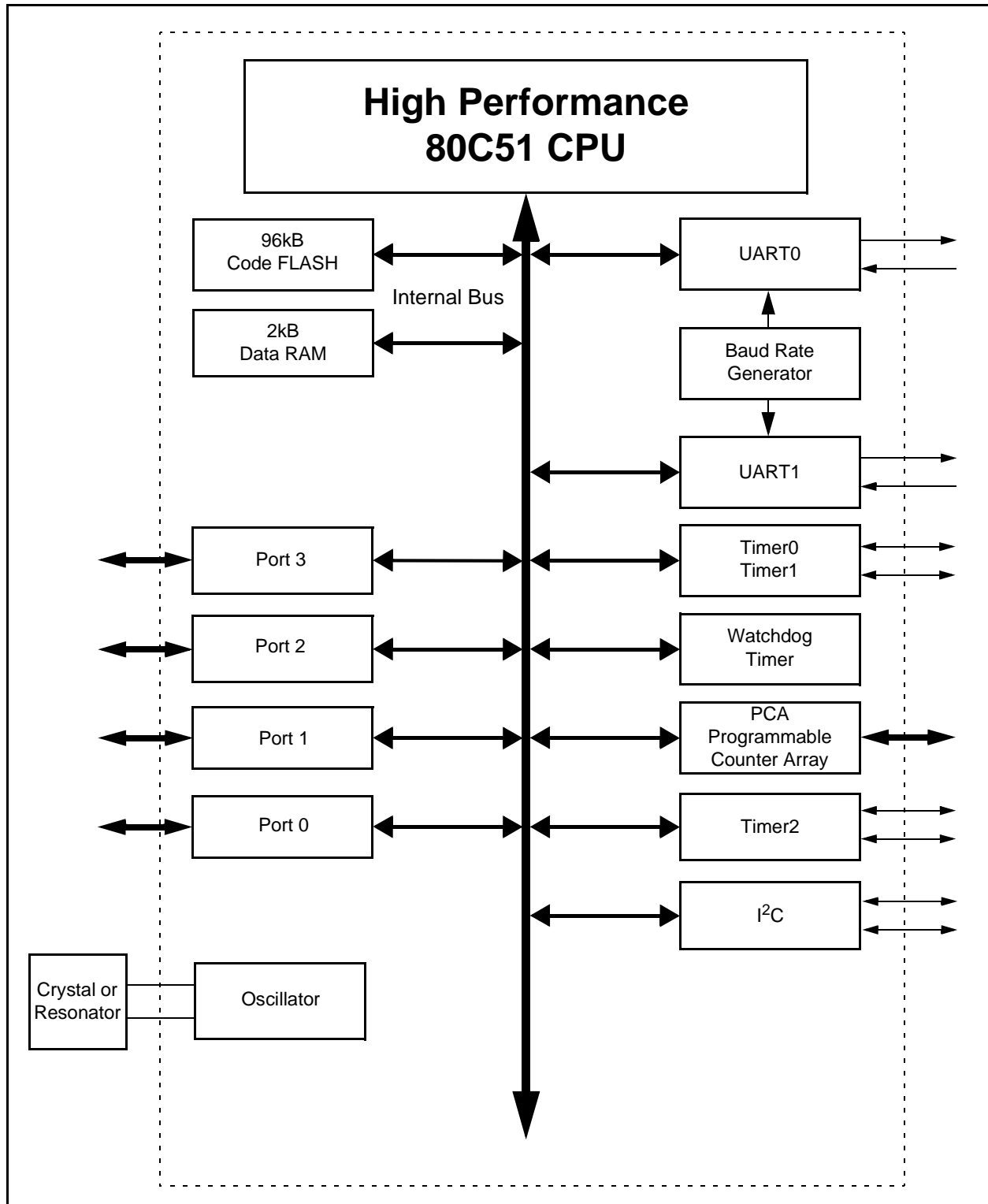


Figure 2: P89C669 block diagram

## 2 MEMORY ORGANIZATION

### 2.1 PROGRAMMER'S MODELS AND MEMORY MAPS

The P89C669 retains all of the 80C51 memory spaces. Additional memory space has been added transparently as part of the means for allowing extended addressing. The basic memory spaces include code memory (which may be on-chip, off-chip, or both); external data memory; Special Function Registers; and internal data memory, which includes on-chip RAM, registers, and stack. Provision is made for internal data memory to be extended, allowing a larger processor stack.

The P89C669 programmer's model and memory map is shown in Figure 3.

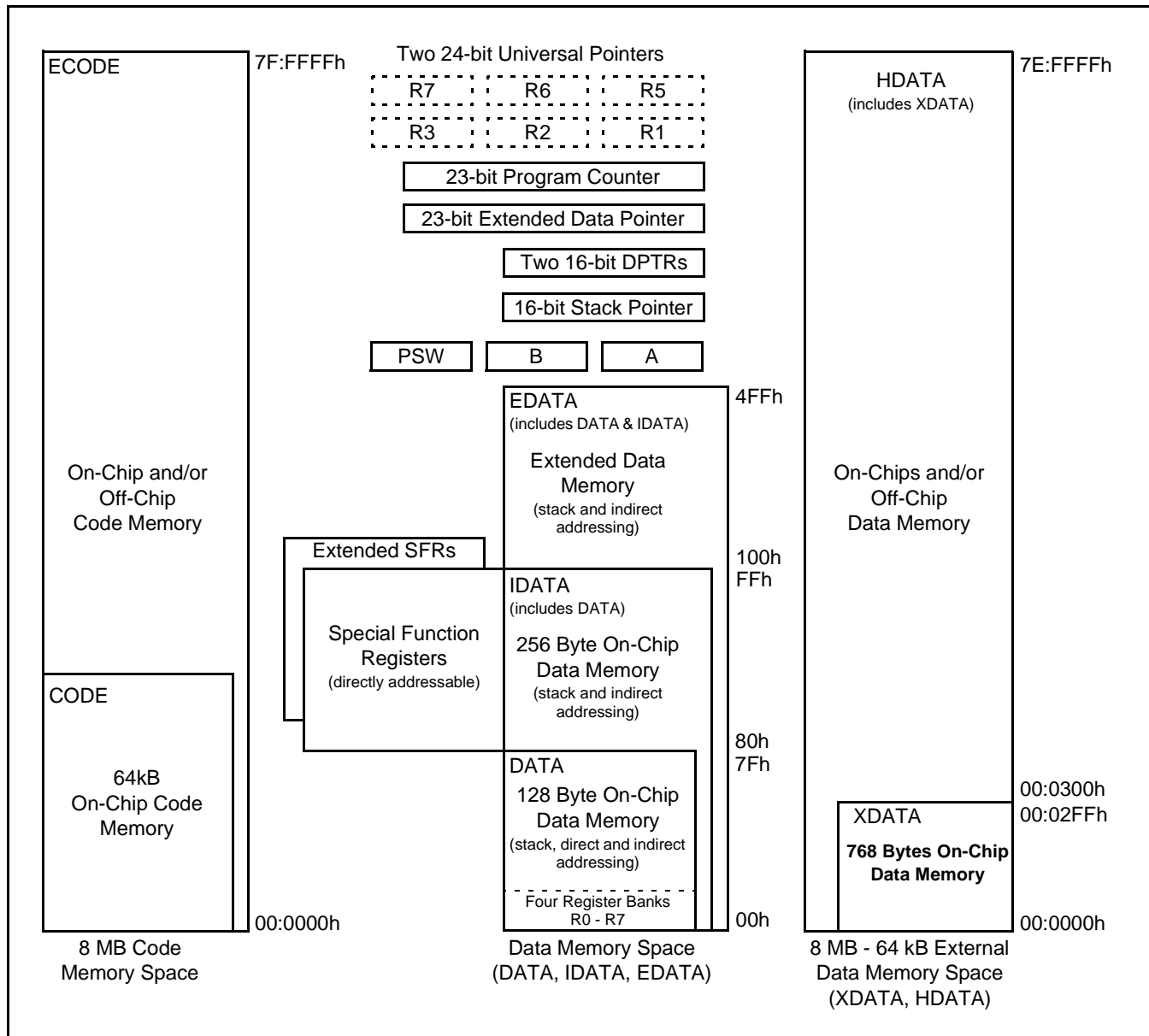


Figure 3: P89C669 programmer's model and memory map

## Extended Address Range Microcontroller

## P89C669

Detailed descriptions of each of the various 51MX memory spaces may be found in the following summary.

DATA	128 bytes of internal data memory space (00h...7Fh) accessed via direct or indirect addressing, using instructions other than MOVX and MOVC. All or part of the Stack may be in this area.
IDATA	Indirect Data. 256 bytes of internal data memory space (00h...FFh) accessed via indirect addressing using instructions other than MOVX and MOVC. All or part of the Stack may be in this area. This area includes the DATA area and the 128 bytes immediately above it.
EDATA	Extended Data. This is a superset of DATA and IDATA areas. P89C669 has 1280 bytes of SRAM in EDATA memory. The added area may be accessed only as Stack and via indirect addressing using Universal Pointers. The Stack may reside in the extended area if enabled to do so. EDATA content can be accessed anytime using EMOV instruction regardless of bit EAM in MXCON.
SFR	Special Function Registers. Selected CPU registers and peripheral control and status registers, accessible only via direct addressing (addresses in range 80h...FFh). This includes the new 51MX extended SFRs.
XDATA	"External" Data. Duplicates the classic 80C51 64 kB memory space addressed via the MOVX instruction using the DPTR, EPTR, R0, or R1. On-chip XDATA can be disabled under program control. Also, XDATA may be placed in external devices. P89C669 has 768 bytes of on-chip XDATA memory space.
HDATA	"High" Data. This is a superset of XDATA and may include up to 8,323,072 bytes (8 MB - 64 kB) of memory space addressed via the MOVX instruction using the EPTR, DPTR, R0, or R1. Non XDATA portion of HDATA is placed in external devices.
CODE	64 kB of internal code memory space (0000h...FFFFh) used for program storage and data accessed via MOVC.
ECODE	Up to 8 MB of Code memory, accessed as part of program execution and via the MOVC instruction.

All of these spaces except the SFR space may also be accessed through use of Universal Pointer addressing with the EMOV instruction. This feature is detailed in a subsequent section.

**Table 1: Sizes of on-chip available memory segments for P89C669**

Memory		Size (Bytes) and MX UniversalMemory Map Range
Type	Description	P89C669
DATA	data memory that can be addressed both directly and indirectly; can be used as stack	128 (7F:0000-7F:007F)
IDATA	superset of DATA; memory that can be addressed indirectly (where direct address for upper half is for SFR only); can be used as stack	256 (7F:0000-7F:00FF)
EDATA	superset of DATA/IDATA; memory that can be addressed indirectly using Universal Pointers (PR0,1); can be used as stack	1280 (7F:0000-7F:04FF)
XDATA	memory (on-chip "External Data") that is accessed via the MOVX instructions using DPTR/EPTR	768 (00:0000-00:02FF)
CODE	code memory used for program storage and data access using MOVC and EMOV	65536 (80:0000-80:FFFF)
ECODE	code memory used for program storage; data access can be accomplished using Universal pointers (PR0,1) and EMOV	98304 (80:0000-81:7FFF)

## 2.2 DATA MEMORY (DATA, IDATA, AND EDATA)

The standard 80C51 internal data memory consists of 256 bytes of DATA/IDATA RAM, and is always entirely on-chip. In this space are the data registers R0 through R7, the default stack, a bit addressable RAM area, and general purpose data RAM. On

## Extended Address Range Microcontroller

P89C669

the top of the DATA/IDATA memory space is a 1024 bytes block of RAM that can be accessed as stack or via indirect addressing. Altogether this forms EDATA RAM of 1280 bytes. The different portions of the data memory are accessed in different manners as described in the following sections.

### 2.2.1 REGISTERS R0 - R7

General purpose registers R0 through R7 allow quick, efficient access to a small number of internal data memory locations. For example, the instruction:

```
MOV    A,R0
```

uses one byte of code and executes in one machine cycle. Using direct addressing to accomplish the same result as in:

```
MOV    A,10h
```

requires two bytes of code memory and executes in two machine cycles. Indirect addressing further requires setup of the pointer register, etc.

These registers are "banked". There are four groups of registers, any one of which may be selected to represent R0 through R7 at any particular time. Desired register bank is selected using bits RS1 and RS0 in PSW SFR. This feature may be used to minimize the time required for context switching during an interrupt service or a subroutine, or to provide more register space for complicated algorithms.

The registers are no different from other internal data memory locations except that they can be addressed in "shorthand" notation as "R0", "R1", etc. Instructions addressing the internal data memory by other means, such as direct or indirect addressing, are quite capable of accessing the same physical locations as the registers in any of the four banks.

**Table 2: Selection of the working register bank (R0-R7)**

RS1	RS0	bank	memory segment in DATA
0	0	Bank 0	00h...07h
0	1	Bank 1	08h...0Fh
1	0	Bank 2	10h...17h
1	1	Bank 3	18h...1Fh

### 2.2.2 BIT ADDRESSABLE RAM

Internal data memory locations 20 hex through 2F hex may be accessed as both bytes and bits. This allows a convenient and efficient way to manipulate individual flag bits without using much memory space. The bottom bit of the byte at address 20h is bit number 00h, the next bit in the same byte is bit number 01h, etc. The final bit, bit 7 of the byte at address 2Fh, is bit number 7Fh (127 decimal). Bit numbers above this refer to bits in Special Function Registers.

This code:

```
SETB   20h.1
CPL    20h.2
JNB    20h.2, LABEL1
```

sets bit 1 at address 20 hex, complements bit 2 in the same byte, then branches if the second bit is not equal to 1. In an actual program, these bits would normally be given names and referred to by those names in the bit manipulation instructions.

### 2.2.3 EXTENDED DATA MEMORY (EDATA)

The 51MX architecture allows for extension of the internal data memory space beyond the traditional 256 byte limit of classic 80C51s. This space can be used as an extended or alternative processor stack space, or can be used as general purpose storage under program control. Other than Stack Pointer based access to this space, which is automatic if Extended Stack Memory Mode is enabled (see the following Stack section), this memory is addressed only using the new Universal Pointer feature. Universal Pointers are described in a later section.

P89C669 has 1280 bytes of SRAM in EDATA memory.

### 2.2.4 STACK

The processor stack provides a means to store interrupt and subroutine return addresses, as well as temporary data. The stack grows upwards, from lower addresses towards higher addresses. The current Stack Pointer always points to the last item pushed on the stack, unless the stack is empty. Prior to a push operation, the Stack Pointer is incremented, then data is written to memory. When the stack is popped, the reverse procedure is used. First, data is read from memory, then the Stack Pointer is decremented.

The default configuration of the 51MX stack is identical to the classic 80C51 stack implementation. When interrupt or subroutine addresses are pushed onto the stack, only the lower 16 bits of the Program Counter are stored. This default 80C51 mode stack operation is shown in Figure 4.

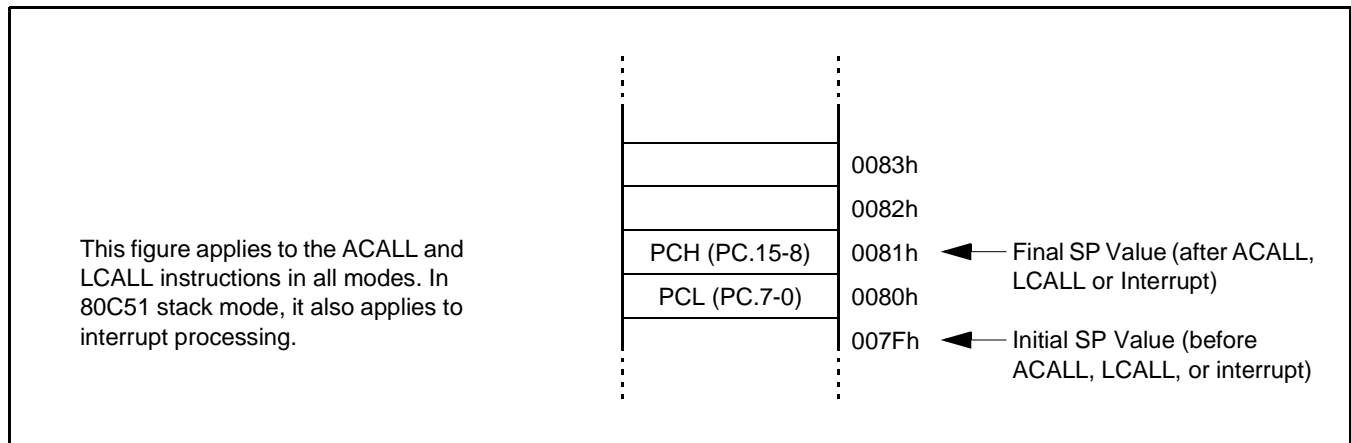


Figure 4: Return address storage on the stack (80C51 Mode)

There are two configuration options for the stack. For purposes of backward compatibility with the classic 80C51, all two additional modes are disabled by a chip reset.

The first option, Extended Interrupt Frame Mode, causes interrupts to push the entire 23-bit Program Counter onto the stack (as three bytes), and the RETI instruction to pop all 23-bits as a return address, as shown in Figure 5. The upper bit of the stack byte containing the most significant byte of the Program Counter is forced to a "1" to be consistent with Universal Pointer addressing.

Storing the full 23-bit Program Counter value is a requirement for systems that include more than 64 KB of program, since an interrupt could occur at any point in the program. The Extended Interrupt Frame Mode changes the operation of interrupts and the RETI instruction only, while other calls and returns are not affected. Special extended call and return instructions allow large

programs to traverse the entire code space with full 23-bit return addresses. The Extended Interrupt Frame Mode is enabled by setting the EIFM bit in the MXCON register.

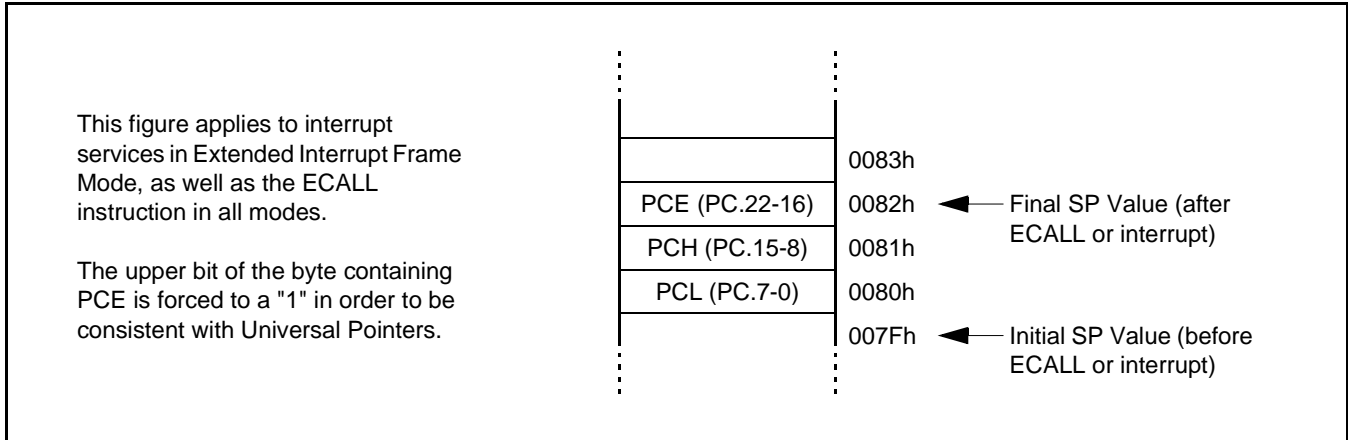


Figure 5: Extended return address storage on the stack

The second stack option, Extended Stack Memory Mode, allows for stack extension beyond the 256 byte limit of the classic 80C51 family. Stack extension is accomplished by increasing the Stack Pointer to 16 bits in size and allowing it to address the entire EDATA memory rather than just the standard 256 byte internal data memory. Stack extension has no effect on the data that is stored on the stack, it will continue to be stored as shown on in figures 4 and 5. The Extended Stack Memory Mode is enabled by setting the ESMM bit in the MXCON register.

If the Stack Pointer is not initialized by software, the stack will begin at on-chip RAM address 8, just as for the 80C51. Also note that in Extended Stack Memory Mode, P89C669 part has 1024 bytes of RAM on the top of DATA/IDATA space available for the stack.

The stack mode bits ESMM and EIFM are shown in Figure 6. Note that the stack mode bits are intended to be set once during program initialization and not altered after that point. Changing stack modes dynamically may cause stack synchronization problems.

### 2.2.5 MX CONTROL REGISTER (MXCON)

MX family of microcontrollers was developed with an idea to provide 80C51 users with the part that will allow applications to grow in different directions. While improving a number of characteristics, it had to keep full compatibility with its predecessors.

Two major areas for improvement were identified as microcontroller's internal resources, and microcontroller's interface to external world with address and data bus.

MX2 part brings larger on-chip code and data space available, compared to previous 80C51 compatible microcontrollers. In order to enable these enhancements to be used, MX specific features had to be added, and consequently instruction set had to be enriched.

MX Control Register (MXCON) determines mode of 669's operation. Although it is possible, change of this register during application's execution is not advised. Structure of MXCON is shown in Figure 6. Total of two operational modes are available using bit EAM.

#### EAM=0

After reset, bit EAM=0 (default value) places P89C669 part in fully pin-to-pin 80C51 binary compatible micro. Its interface with external world is with 16 bits wide address bus and 8 bits wide data bus. PC is 16 bits wide and therefore on-chip executable code can not go beyond 64 KB. Use of MX specific instructions that relay on PC (e.g. EMOV) is limited to values contained in the lowest

Extended Address Range Microcontroller

P89C669

16 bits of PC: upper 7 bits are considered to be 0s. This is why EMOV instruction can not fetch content from internal code space above 64 kB boundary. Once code starts from on-chip code space, no external code can be executed; address bus enables access up to 64 kB of RAM only.

**EAM=1**

Mode determined with EAM=1 enables on-chip code to go beyond 64 kB and utilize 96 kB of available code space. Interface to external memory is through standard 51 external bus: 16 bits address and 8 bits wide. In this configuration, PC is internally 23 bits wide and special attention is needed when EIFM (Extended Interrupt Frame) bit is configured. If executable on-chip code goes beyond 64 kB and this code can be interrupted, EIFM must be set to 1, since address of interrupted instruction might be of 01:xxxx type. Keeping EIFM=0 in application when PC crosses 64 kB will result in pushing of only 2 bytes of address to the stack. Consequently, after invoked interrupt service routine (ISR) is finished, RETI instruction will direct further code execution to 00:xxxx (due to popping only 2 bytes from the stack), which can result in unpredicted system behavior.

If on-chip memory code space above 64 kB is used for storage of constants only (e.g. look-up-tables), EIFM can be 0, since any address of executed code can be represented with only two bytes, and it is sufficient to push only these two bytes onto the stack (which is default for P89C669 part).

Once code starts from on-chip code space, no external code can be executed; address bus enables access up to 64 kB of external RAM only. Due to only 16 bits wide address bus in this mode, even if EMOV instruction points to location above 64 kB, (e.g. yz:xxxx), external memory will recognize this as address under 64 kB (00:xxxx).

<b>MXCON</b> Address: FFh (51MX Extended SFR Space)										
Not bit addressable		7      6      5      4      3      2      1      0								
Reset Value: 00h		<table border="1" style="margin-left: auto; margin-right: auto;"> <tr> <td style="width: 20px; text-align: center;">-</td> <td style="width: 20px; text-align: center;">-</td> <td style="width: 20px; text-align: center;">-</td> <td style="width: 20px; text-align: center;">-</td> <td style="width: 20px; text-align: center;">-</td> <td style="width: 20px; text-align: center;">EAM</td> <td style="width: 20px; text-align: center;">ESMM</td> <td style="width: 20px; text-align: center;">EIFM</td> </tr> </table>	-	-	-	-	-	EAM	ESMM	EIFM
-	-	-	-	-	EAM	ESMM	EIFM			
<b>BIT</b>	<b>SYMBOL</b>	<b>FUNCTION</b>								
MXCON.7 - 3	-	Reserved. Programs should not write a 1 to these bits.								
MXCON.2	EAM	Enables Extended Addressing Mode. This bit determines whether code and data addressing beyond 64 kB is allowed or not. When 0, all addressing (on-chip and off-chip) is limited to 64 kB each of code and data. When 1, P89C669 addressing capabilities are extended beyond boundary of 64 kB up to 8 MB each of code and data, and upper address bits are multiplexed on Port 2 for external code and/or data accesses. Refer to the External Bus section for additional details.  EAM must be set to EAM=1 if at least one of the next two statements is true: - there is an executable code or constant(s) in CODE space above 64kB - address of data byte that has to be accessed in HDATA is above 64kB								
MXCON.1	ESMM	Enables the Extended Stack Memory Mode. When ESMM = 0, the Stack Pointer is 8 bits in width and the stack is located in the IDATA memory space. When ESMM = 1, the Stack Pointer is increased to 16-bits in width and the stack may be located anywhere in the EDATA space. ESMM is independent of EAM and EIFM bits.								
MXCON.0	EIFM	Enables the Extended Interrupt Frame Mode. When EIFM = 0, an interrupt service will cause only the lower 16 bits of the PC to be pushed onto the stack, and an RETI instruction will restore only the lower 16 bits of the PC. When EIFM = 1, an interrupt service will cause all 23 bits of the PC to be pushed onto the stack, while an RETI instruction will restore all 23 bits of the PC. EIFM <u>must</u> be set to one if the application allows execution beyond the first 64 kB of code memory.								

**Figure 6: MX Configuration Register (MXCON)**

EAM bits control access to CODE/ECODE and XDATA/HDATA space. EDATA memory space can fully be accessed anytime with EMOV instruction, regardless of the value of EAM bits.

### 2.2.6 GENERAL PURPOSE RAM

Portions of the internal data memory that are not used in a particular application as registers, stack, or bit addressable locations may be considered general purpose RAM and used in any desired manner.

The lower 128 bytes of the internal data memory (DATA) may be accessed using either direct or indirect addressing. Direct addressing incorporates the entire address within the instruction. For example, the instruction:

```
MOV    31h,#10
```

will store the value 10 (decimal) in location 31 hex. Direct addresses above 128 will access the Special Function Registers rather than the internal data memory.

Indirect addressing takes an address from either R0 or R1 of the current register bank and uses it to identify a location in the internal data memory. The entire 256 byte internal data memory space (IDATA) may be accessed using indirect addressing. For example, the instruction sequence:

```
MOV    R0,#90h
MOV    A,@R0
```

will cause the contents of location 90 hex to be loaded into the accumulator. It is typical with the classic 80C51 to cause the stack to be located in the upper area, leaving more general purpose RAM in the lower area that may be accessed using both direct and indirect addressing. With the 51MX, the stack may be extended and moved completely out of the lower 256 bytes of memory.

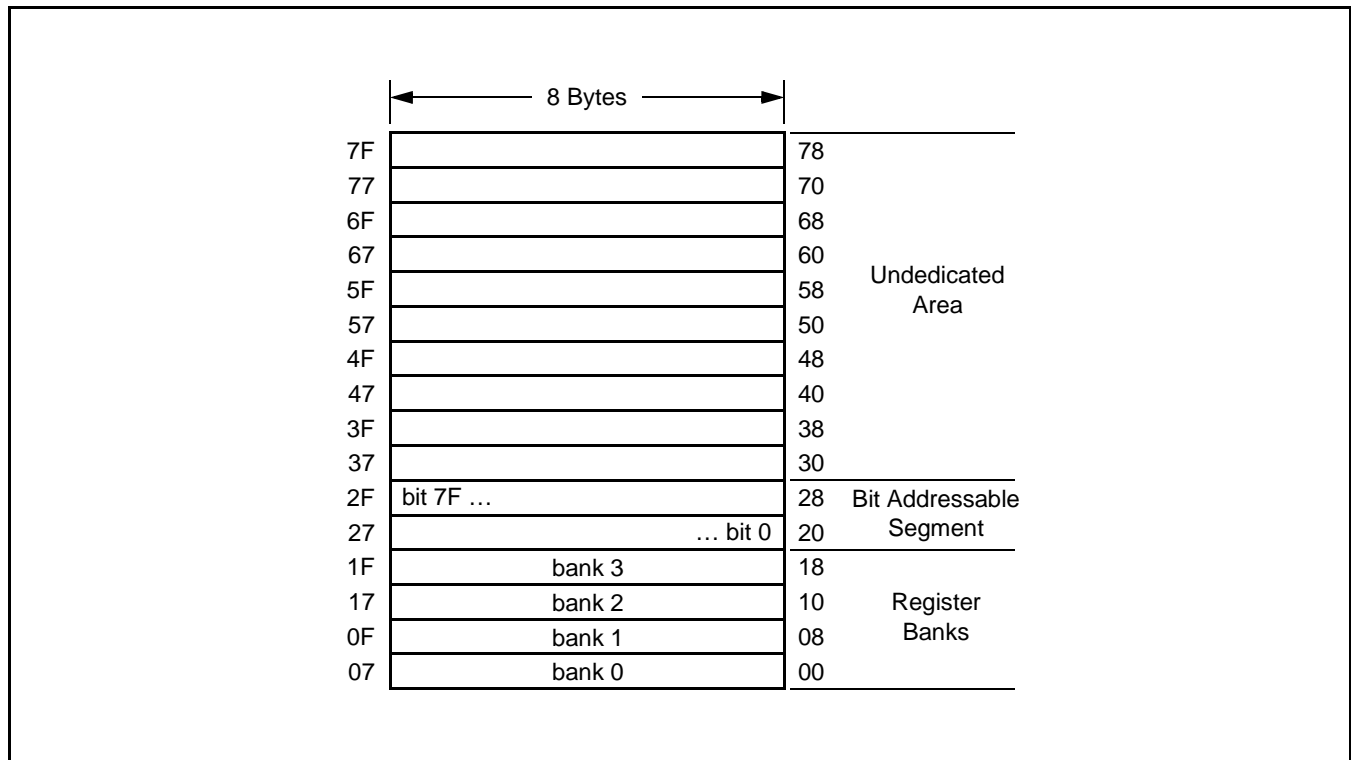


Figure 7: Internal data memory, lower 128 Bytes



### 2.3 SPECIAL FUNCTION REGISTERS (SFRS)

Special Function Registers (SFRs) provide a means for the processor to access internal control registers, peripheral devices, and I/O ports. An SFR address is always contained entirely within an instruction.

The standard SFR space is 128 bytes in size. SFRs are implemented in each 51MX device as needed in order to provide control for peripherals or access to CPU features and functions. Undefined SFRs are considered "reserved" and should not be accessed by user programs.

Sixteen addresses in the SFR space are both byte- and bit-addressable. The bit-addressable SFRs are those whose address ends in 0h or 8h (i.e. 80h, 88h, ..., F8h). Bit addressing allows direct control and testing of bits in those SFRs.

All 51MX devices also have additional 128 bytes of extended SFRs as discussed in the "51MX Architecture Reference". Figures 8 and 9 show the SFR and the Extended SFR maps for P89C669 part.

	0 / 8	1 / 9	2 / A	3 / B	4 / C	5 / D	6 / E	7 / F	
F8	IP1	CH	CCAP0H	CCAP1H	CCAP2H	CCAP3H	CCAP4H		FF
F0	B							IP1H	F7
E8	IEN1	CL	CCAP0L	CCAP1L	CCAP2L	CCAP3L	CCAP4L		EF
E0	ACC								E7
D8	CCON	CMOD	CCAPM0	CCAPM1	CCAPM2	CCAPM3	CCAPM4		DF
D0	PSW								D7
C8	T2CON	T2MOD	R2CAPL	R2CAPH	TL2	TH2			CF
C0									C7
B8	IP0	S0ADEN							BF
B0	P3							IP0H	B7
A8	IEN0	S0ADDR							AF
A0	P2		AUXR1				WDTRST		A7
98	S0CON	S0BUF							9F
90	P1	I2CON	I2STA	I2DAT	I2ADR	I2CLL	I2CLH		97
88	TCON	TMOD	TL0	TL1	TH0	TH1	AUXR		8F
80	P0	SP	DPL	DPH				PCON	87

↑  
Bit Addressable SFRs

Figure 8: Standard SFR map for the P89C669

Figure 9 shows the extended SFR map for the P89C669.

Extended Address Range Microcontroller

P89C669

	0 / 8	1 / 9	2 / A	3 / B	4 / C	5 / D	6 / E	7 / F	
F8				SPE	EPL	EPM	EPH	MXCON	FF
F0									F7
E8									EF
E0									E7
D8									DF
D0									D7
C8									CF
C0									C7
B8									BF
B0									B7
A8									AF
A0									A7
98									9F
90									97
88					S0STAT			WDCON	8F
80	S1CON	S1BUF	S1ADDR	S1ADEN	S1STAT	BRGCON	BRGR0	BRGR1	87

↑  
Bit Addressable SFRs

Figure 9: Extended SFR map for the P89C669

## 2.4 EXTERNAL DATA MEMORY (XDATA)

The XDATA space on the 51MX is the same as the 64 kB external data memory space on the classic 80C51.

On-chip XDATA memory can be disabled under program control via the EXTRAM bit in the AUXR register. Accesses above implemented on-chip XDATA will be routed to the external bus by default. If on-chip XDATA memory is disabled, all XDATA accesses will be routed to the external bus. P89C669 has 768 bytes of on-chip XDATA.

## 2.5 HIGH DATA MEMORY (HDATA)

The 51MX architecture supports up to an 8 MB data memory space, using 23-bit addressing. The entire 8 megabyte space except for the 64 kB EDATA space is called HDATA. The XDATA space comprises the lower 64 kB of HDATA.

### Data Pointers

The 51MX adds an additional 23-bit Extended Data Pointer (EPTR) in order to allow a simple method of extending existing 80C51 programs to use more than 64 kB of data memory. If we want to access a single data byte from HDATA RAM located above the first 64\_kB, EAM bit in MXCON sfr must be set to EAM=1.

All 80C51 instructions that use the DPTR have an 51MX variant that uses the EPTR. The 23-bit EPTR is comprised of (in order) EPH, EPM, and EPL sfrs. Figures 10 and 11 show examples of indirect accesses to data memory using the DPTR and the EPTR respectively. Since the EPTR is a 23-bit value, the 8th bit of EPH is not used. If read, it returns a 1, like other unimplemented bits in sfrs. EPTR can be manipulated as 23-bit register or as three independent 8-bit registers. Use of the EPTR allows access to the entire HDATA space, including XDATA.

Extended Address Range Microcontroller

P89C669

At any point in time, one specific Data Pointer is active and is used by instructions that reference the DPTR. Active Data Pointer (DPTR) consists of a high byte (DPH sfr) and a low byte (DPL sfr) and its intended function is to hold 16-bit address; however, it may be manipulated as a 16-bit register or as two independent 8-bit registers.

Selection of the active DPTR may be changed by altering the Data Pointer Select (DPS) bit. The DPS bit occupies the bottom bit of the AUXR1 register. The DPS bit applies only to the two DPTRs, not to the EPTR.

In the indirect addressing mode, the currently active DPTR or the EPTR provides a data memory address for accessing the XDATA and HDATA space respectively. When the DPTR is used for addressing, only the XDATA space is available. When the EPTR is used for addressing, the entire HDATA space (which includes the XDATA space) may be accessed. If the EPTR value exceeds 7E:FFFF (the limit of HDATA), data accesses using EPTR will yield undefined results. The reason for limiting HDATA addresses is to keep the addressing uniform for EPTR addressing and Universal Pointer addressing (which is explained in a later section of this document).

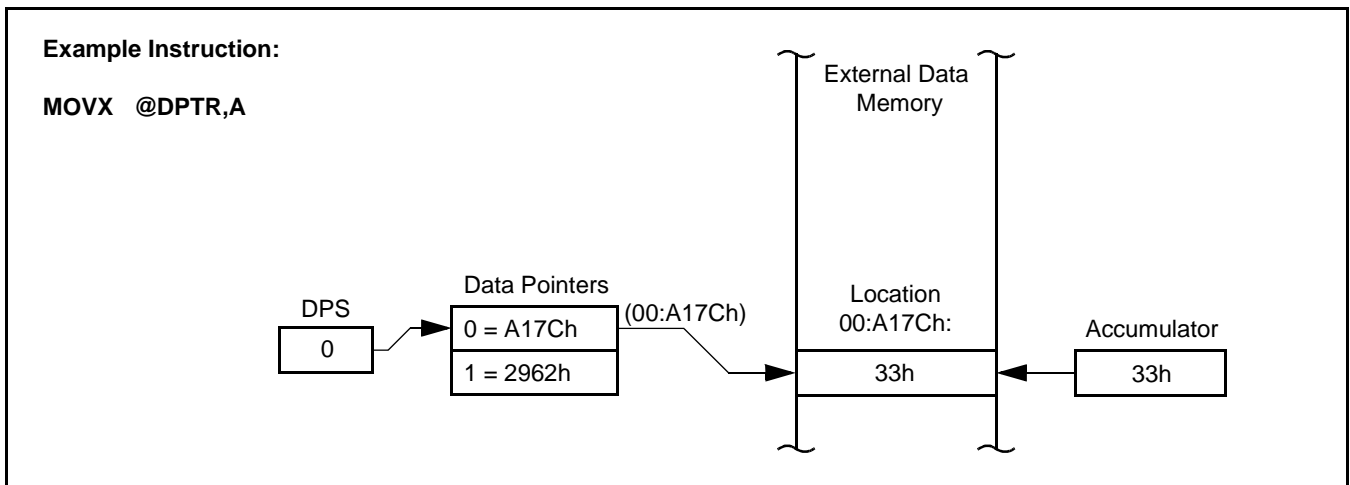


Figure 10: External data memory access using indirect addressing with DPTR

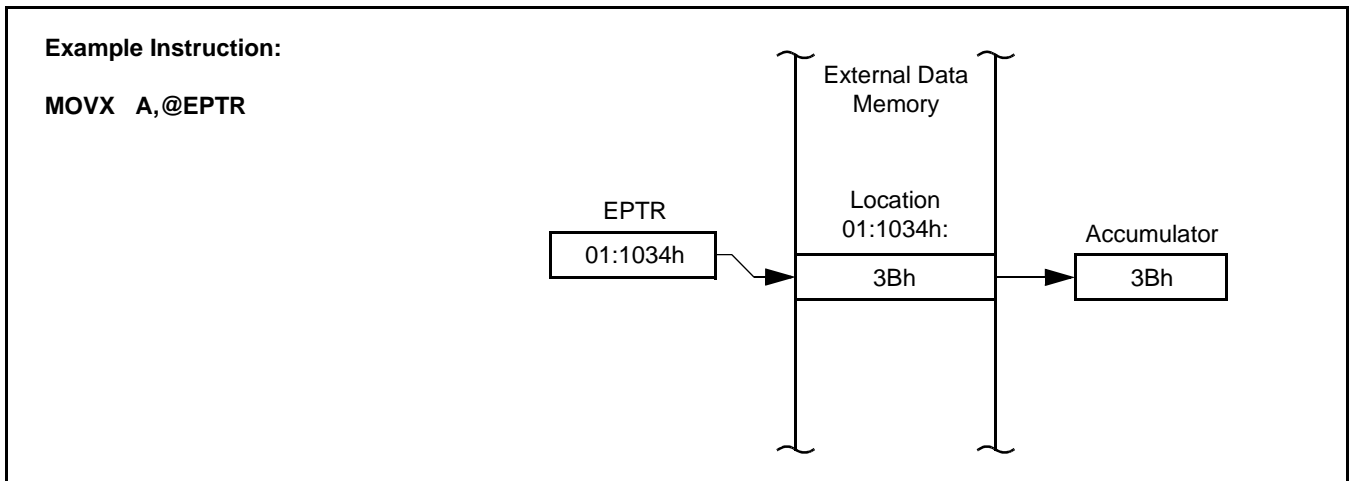


Figure 11: External data memory access using indirect addressing with EPTR

## 2.6 PROGRAM MEMORY (CODE)

The 80C51, and thus the 51MX, are "Harvard" architectures, meaning that the code and data spaces are separated. If there is a single byte of executable code above 64 kB, EAM bit in MXCON sfr must be set to EAM=1. Also, if there is constant in CODE space above 64 kB boundary that is read by the application, EAM bit must be set to EAM=1, too.

The 51MX architecture expands the 80C51 Program Counter to 23 bits, providing a contiguous, unsegmented linear code space that may be as large as 8 MB. On-chip space begins at code address 0 and extends to the limit of the on-chip code memory. Above that, code will be fetched from off-chip. The 51MX architecture allows for an external bus which supports:

- Mixed mode (some code and/or data memory off-chip).
- Single-chip operation (no external bus connection).
- ROMless operation (no use of on-chip code memory).

In some cases, code memory may be addressed as data. Extended instruction address modes provide access to the entire code space of 8 MB through the use of indexed indirect addressing. The currently active DPTR, the EPTR, a Universal Pointer, or the Program Counter may be used as the base address. Examples of the various code memory addressing modes are shown in figures 12 through 14.

Following a reset, the P89C669 begins code execution like a classic 80C51, at address 00:0000h. Similarly, the interrupt vectors are placed just above the reset address, starting at address 00:0003h. It is important to note that first instruction (located at address 0) should not be an EJPMP instruction. EJPMP is a 5 byte instruction and would overlap any instructions intended for the external interrupt 0 vector address residing at 00:0003.

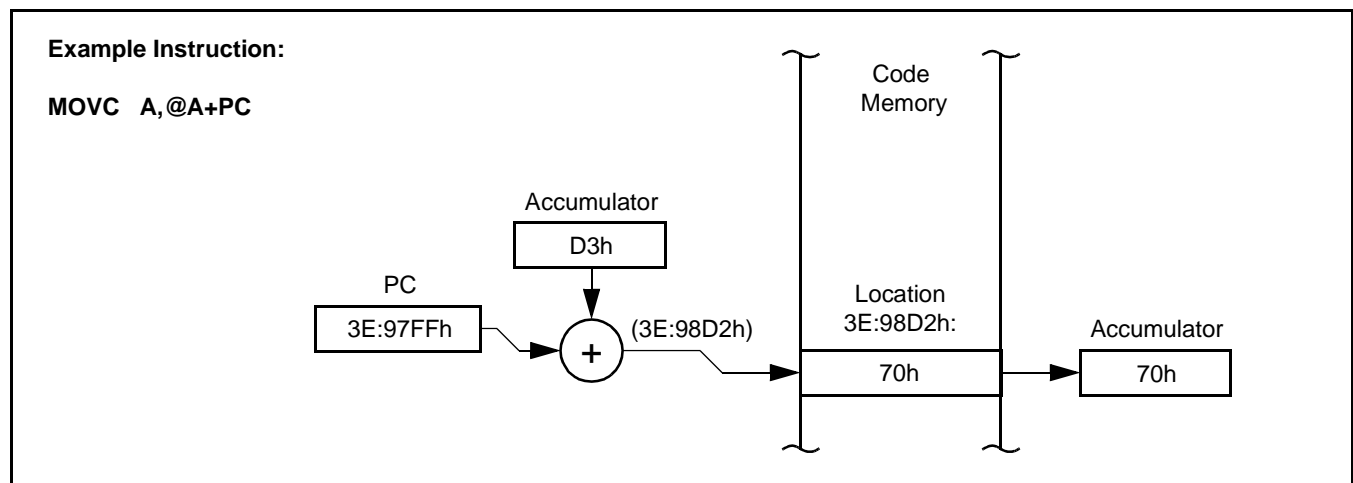


Figure 12: Code memory access using Indexed indirect addressing with the Program Counter

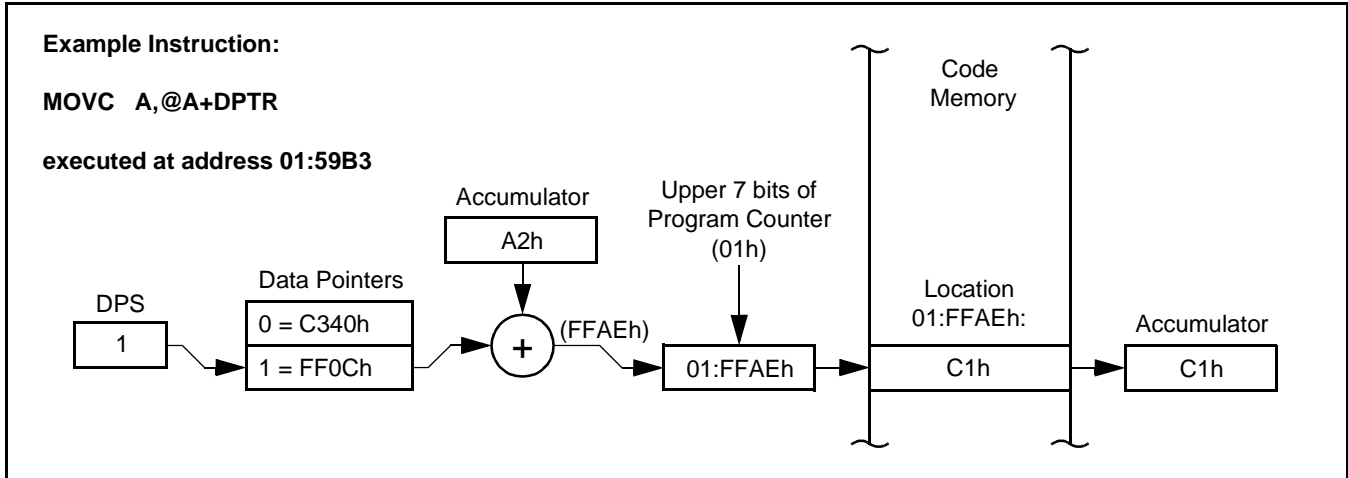


Figure 13: Code memory access using indexed indirect addressing with DPTR

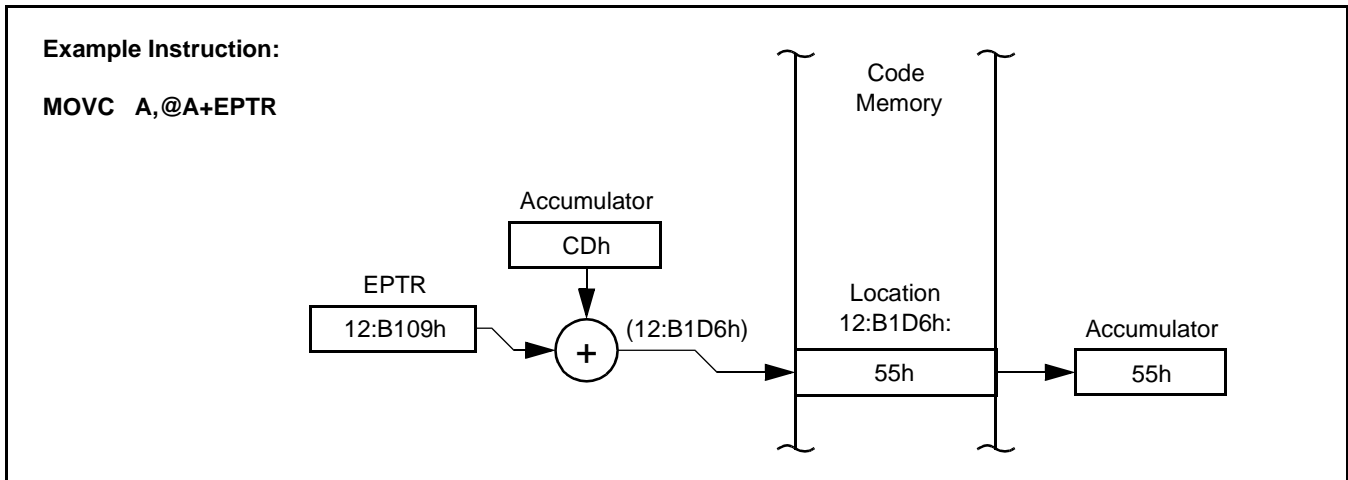


Figure 14: Code memory access using indexed indirect addressing with EPTR

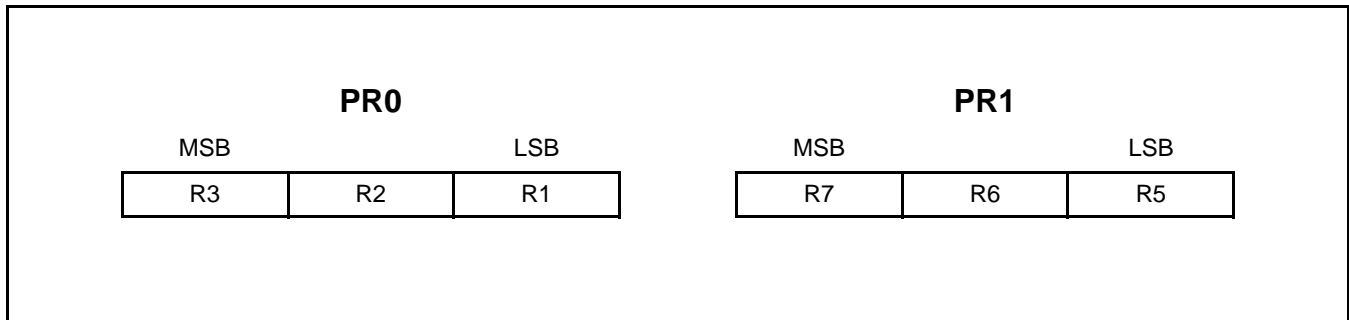
## 2.7 UNIVERSAL POINTERS

A new addressing mode called Universal Pointer mode has been added to the 51MX, specifically for the purpose of greatly enhancing C language code density and performance. This addressing mode allows access to any of the on-chip or off-chip code and data spaces using one instruction, without the need to know in advance which of the different spaces the data will reside in. This includes the DATA, IDATA, EDATA, XDATA, HDATA, and CODE spaces. The SFR space is the only space that may not be accessed using the Universal Pointer mode.

The Universal Pointer addressing mode uses a new set of pointer registers for two reasons. The first is that 24-bit pointers are needed in order to allow addressing both the 8 MB code space and the 8 MB data space. The other reason is that it is much more

efficient to manipulate multi-byte pointer values in registers than it is in SFRs. C compilers typically already perform pointer manipulation in registers, then move the result to a Data Pointer for use.

Two Universal Pointers are supported: PR0 and PR1. The pointer PR0 is composed of registers R1, R2, and R3 of the current register bank, while PR1 is composed of registers R5, R6, and R7 of the current register bank, as shown in Figure 15.



**Figure 15: Universal pointer registers**

In order to access all of the various memory spaces in a single unified manner, they must all be mapped into a new "view" that allows 16 MB of total memory space. This new view is called the Universal Memory Map.

The XDATA space is placed at the bottom of this new address map. The HDATA space continues above XDATA. The standard internal data memory spaces (DATA and IDATA) are above HDATA, followed by the remainder of the EDATA space. Finally, the code memory occupies the top of the map.

Thus, the most significant bit of the Universal Pointer determines whether code or data memory is accessed. By placing the XDATA space at the bottom of the Universal Memory Map, Universal Pointer addresses 00:0000 through 00:FFFF can correspond to the classic 80C51 external data memory space. This allows for full backward compatibility for code that does not need more than 64 kB of external data space. The Universal Memory Map is shown in Figure 16, while the standard view of the memory spaces and how they relate to Universal Pointer values are shown in Figure 17.

The Universal Pointers are used only by a new 51MX instruction called EMOV. The EMOV instruction allows moving data via one of the Universal Pointers into or out of the accumulator. In either case, a displacement of 0, 1, 2, or 3 may also be specified, which is added to the pointer prior to its use. The displacement allows C compiler access of variables of up to 4 bytes in size (e.g. Long Integers) without the need to alter the pointer value. An example of Universal Pointer usage is shown in Figure 18. Note that it is not possible to store a value to the CODE area of the Universal Memory Map.

Another new instruction is added to allow incrementing one of the Universal Pointers by a value from 1 to 4. This allows the pointer to be advanced past the last data element accessed, to the next data element.

Extended Address Range Microcontroller

P89C669

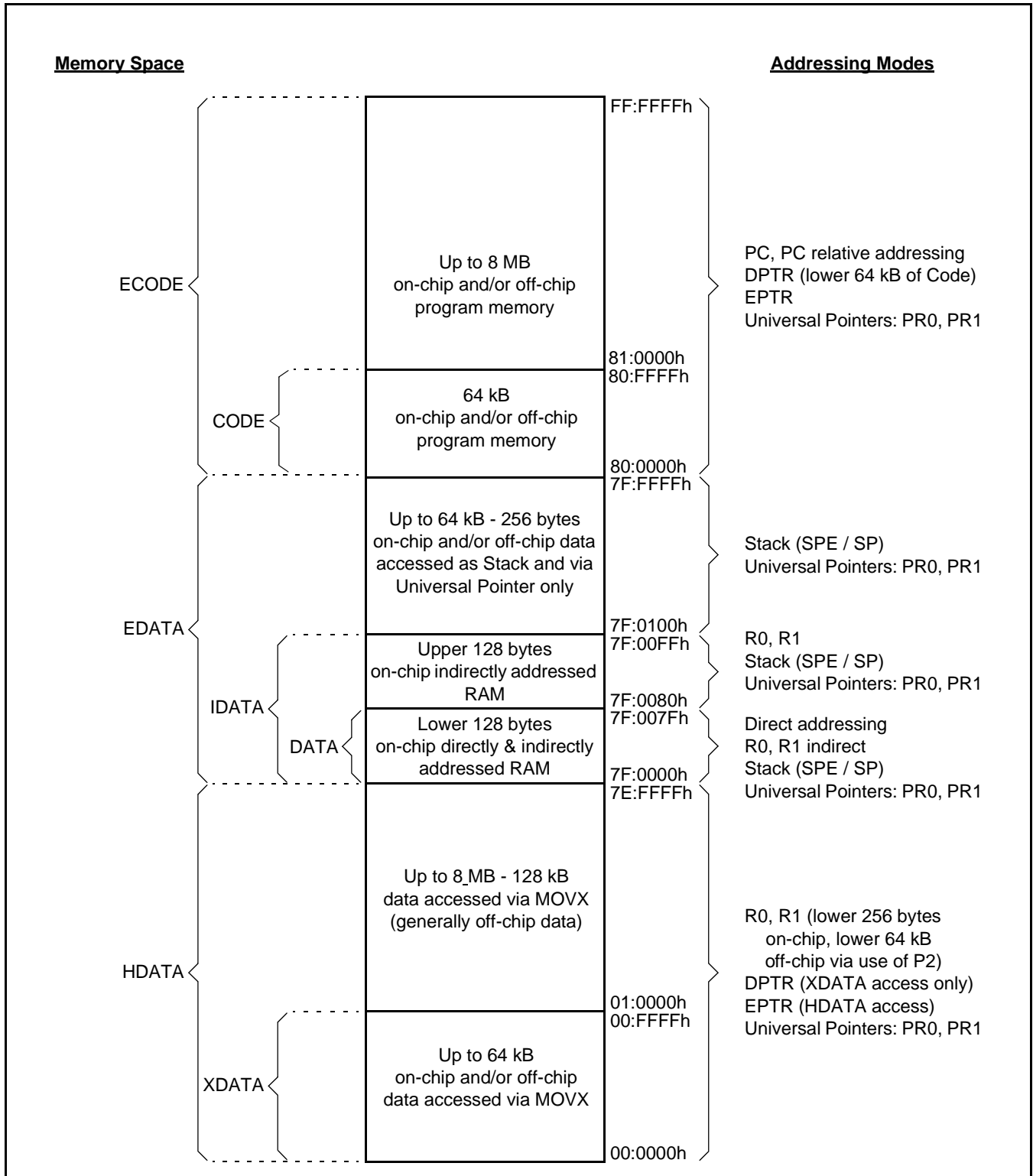


Figure 16: Universal memory map

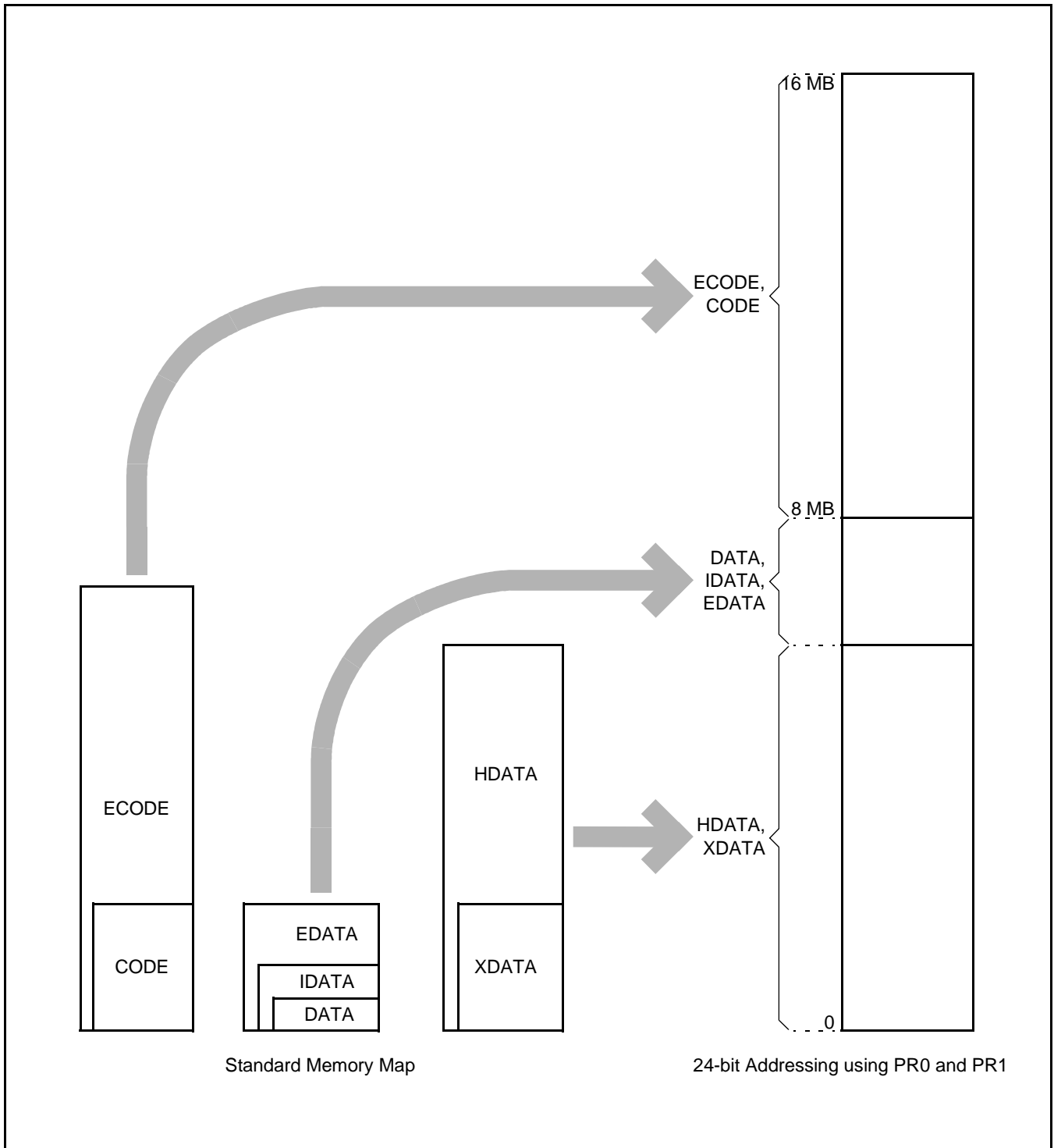
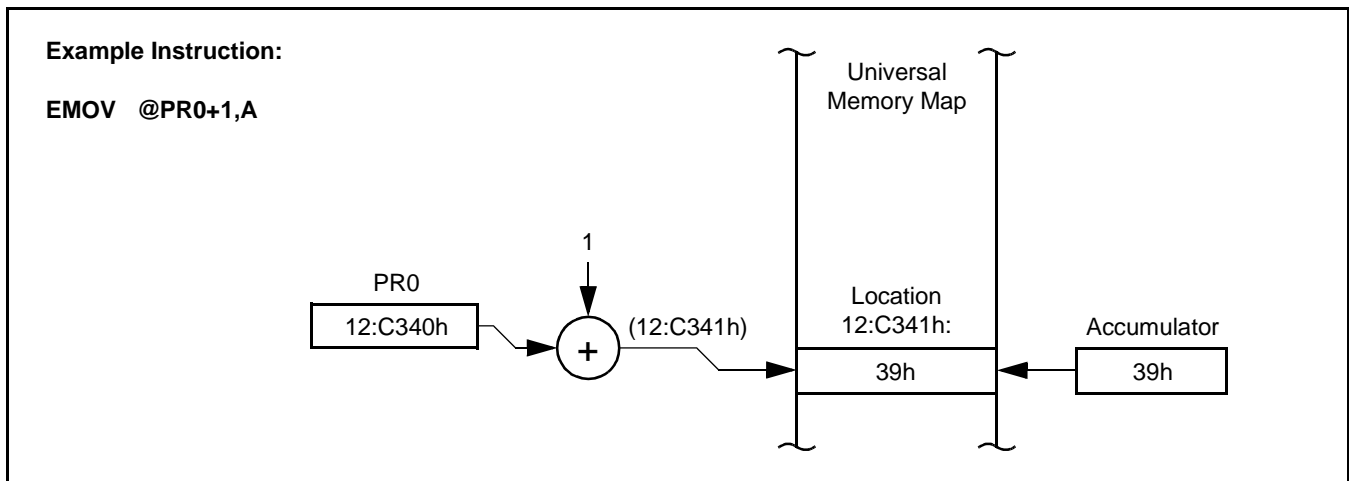


Figure 17: Mapping of other addressing modes to universal pointer addressing





**Figure 18: Memory Access using Universal Pointer Addressing**

Universal Pointers are designed primarily to facilitate addressing in Extended Addressing Mode, with the EAM bit in MXCON set to EAM=1. However, Universal Pointers may still be used when EAM=0. In this case, Universal Pointer addressing can access only the bottom 64 kB of Code space and the bottom 64 kB of XDATA space. The Universal Pointer values that point to these areas do not change. When EAM = 0, Universal Pointer accesses outside of these areas are not accessible and will return a value of FF hex.

### 3 51MX INSTRUCTIONS

The 51MX instruction set is a true binary-level superset of the classic 80C51, designed to be fully compatible with previously written 80C51 code. The changes to the instruction set are all related to the expanded address space. Some details of existing instructions have been altered, and some instructions have had an extended mode added. In the latter case, the alternate mode of the instruction is activated by preceding the instruction with a special one-byte prefix code, A5h.

An important goal in the implementation of the 51MX was to keep the same timing relationship of existing 80C51 instructions to existing devices. Any 80C51 instruction executed on the 51MX will take the same number of machine cycles to execute.

**Table 3: Instructions affected by extended address space**

80C51 Instruction	Effect of Extended Addressing
All relative branches	Includes SJMP and all conditional branches. These instructions may cross a 64 kB boundary if they are located within branch range of the boundary.
ACALL addr11	This instruction will cross a 64 kB boundary if it is located such that the next instruction in sequence is across the boundary. If ECRM=1 this instruction will act as MX's specific ECALL.
AJMP addr11	This instruction will cross a 64 kB boundary if it is located such that the next instruction in sequence is across the boundary.
JMP @A+DPTR	The lower 16-bits of the Program Counter are replaced with the value formed by the sum of the Accumulator and the active DPTR. This instruction will cross a 64 kB boundary if it is located such that the next instruction in sequence is across the boundary.
MOVC A,@A+DPTR	The address formed by replacing the lower 16-bits of the Program Counter with the value formed by the sum of the Accumulator and the active DPTR is used to access code memory. The PC value used is that of the instruction following MOVC.
MOVC A,@A+PC	The sum of the Accumulator and the 23-bit Program Counter forms the 23-bit address used to read the code memory. The PC value used is that of the instruction following MOVC.
MOVX @DPTR,A	The active DPTR points to an address in the 64 kB XDATA memory.
MOVX A,@DPTR	The active DPTR points to an address in the 64 kB XDATA memory.
RET	Replaces the lower 16 bits of the Program Counter with a 16-bit address from the Stack. This instruction will cross a 64 kB boundary if it is located such that the next instruction in sequence is across the boundary.
RETI	When the Extended Interrupt Frame Mode is not enabled, this instruction replaces the lower 16 bits of the Program Counter with a 16-bit address from the Stack. This will cause a 64 kB boundary to be crossed if the instruction is located such that the next instruction in sequence is across the boundary. If the extended interrupt frame mode is enabled, a 23-bit address is loaded into the PC from the stack.
LCALL addr16	Replaces the lower 16 bits of the Program Counter with the 16-bit address. This instruction will cross a 64 kB boundary if it is located such that the next instruction in sequence is across the boundary.
LJMP addr16	Replaces the lower 16 bits of the Program Counter with the 16-bit address. This instruction will cross a 64 kB boundary if it is located such that the next instruction in sequence is across the boundary.

## Extended Address Range Microcontroller

P89C669

Table 4: Enhancements to the 80C51 instruction set enabled by the prefix byte

80C51 Instruction	51MX Effect Without Prefix	51MX Enhancement (these instructions use the prefix byte)	51MX Effect with Prefix
LCALL addr16	Load a 16-bit address into the Program Counter.	ECALL addr23	Load a 23-bit address into the Program Counter.
LJMP addr16	Load a 16-bit address into the Program Counter.	EJMP addr23	Load a 23-bit address into the Program Counter.
JMP @A+DPTR	The lower 16-bits of the Program Counter are replaced with the sum of the Accumulator and the active DPTR.	JMP @A+EPTR	The Program Counter is loaded with the value formed by the sum of the Accumulator and the EPTR.
MOVC A,@A+DPTR	Code memory is accessed using the address formed by replacing the lower 16-bits of the Program Counter with the sum of the Accumulator and the active DPTR.	MOVC A,@A+EPTR	Code memory is accessed using the address formed by the sum of the Accumulator and the EPTR.
MOVX @DPTR,A	The active DPTR points to an address in the 64 kB XDATA memory.	MOVX @EPTR,A	The EPTR points to an address anywhere in HDATA memory (not DATA, IDATA, or EDATA).
MOVX A,@DPTR	The active DPTR points to an address in the 64 kB XDATA memory.	MOVX A,@EPTR	The EPTR points to an address anywhere in HDATA memory (not DATA, IDATA, or EDATA).
INC DPTR	Increment the active Data Pointer.	INC EPTR	Increment the 23 bit EPTR.
MOV DPTR,#data16	Load a 16-bit value into the active Data Pointer.	MOV EPTR,#data23	Load a 23-bit value into the EPTR.
RET	Load a 16-bit address into the Program Counter from the Stack.	ERET	Load a 23-bit address into the Program Counter from the Stack.
ORL A,Rn	Logically OR Register n to the Accumulator.	EMOV A,@PRi+disp	Load the Accumulator with the value from the Universal Memory Map at the address formed by PR0 or PR1 plus the displacement (a value from 0 to 3).
ANL A,Rn	Logically AND Register n to the Accumulator.	EMOV @PRi+disp,A	Load the Universal Memory Map address formed by PR0 or PR1 plus the displacement (a value from 0 to 3) with the contents of the Accumulator.
XRL A,Rn	Exclusive OR Register n to the Accumulator.	ADD PRi,#data2	Add an immediate data value from 1 to 4 to the specified Universal Pointer. This is a 24-bit addition.

### 3.1 INSTRUCTION SET SUMMARY

The following table summarizes the entire 51MX instruction set. The instructions are grouped by the type, and instructions that share operand formats are combined. 51MX extended instructions and operand combinations are designated by **bold** text.

Table 5: 51MX instruction set summary

Data Movement		Arithmetic & Logic		Program Control		Bit Operations	
MOV	A,Rn	ADD	A,Rn	JC	rel	SETB	C
XCH	A,direct	ADDC	A,direct	JNC		CLR	Bit
	A,@Ri	SUBB	A,@Ri	JZ		CPL	
			A,#data	JNZ			
MOV	A,#data	INC	A	SJMP		ANL	C,bit
	Rn,A	DEC	Rn			ORL	C,/bit
	Rn,direct		direct	JB	bit,rel		
	Rn,#data		@Ri	JNB		MOV	C,bit
	direct,A			JBC			bit,C
	direct,Rn	INC	DPTR				
	direct,direct		<b>EPTR</b>	JMP	@A+DPTR		
	direct,@Ri	<b>ADD</b>	<b>PRI,#data2</b>		<b>@A+EPTR</b>		
	direct,#data	MUL	AB	CJNE	A,direct,rel		
	@Ri,A	DIV			A,#data,rel		
	@Ri,direct				Rn,#data,rel		
	@Ri,#data	DA	A		@Ri,#data,rel		
	DPTR,#data16	CLR		DJNZ	Rn,rel		
	<b>EPTR,#data23</b>	CPL			direct,rel		
MOVC	A,@A+DPTR	RL		ACALL	addr11		
	A,@A+PC	RLC		AJMP			
	<b>A,@A+EPTR</b>	RR					
MOVX	A,@Ri	RRC		LCALL	addr16		
	A,DPTR	SWAP		LJMP			
	@Ri,A						
	@DPTR,A	ANL	A,Rn	<b>EJMP</b>	<b>addr23</b>		
	<b>A,EPTR</b>	ORL	A,direct	<b>ECALL</b>			
	<b>@EPTR,A</b>	XRL	A,@Ri				
<b>EMOV</b>	<b>A,@PRI+disp</b>		A,#data	RET			
	<b>@PRI+disp,A</b>		direct,A	RETI			
			direct,#data	<b>ERET</b>			
PUSH	direct			NOP			
POP							
XCHD	A,@Ri						

## 3.2 51MX OPERATION CODE CHARTS

This 51MX opcode chart consists of four pages. The first two pages are identical to a classic 80C51 opcode chart except that the A5h opcode is marked as the MX extended instruction prefix value. The third and fourth pages show instruction encoding that follows the A5h prefix. These instructions are unique to the 51MX, and are divided into several types as shown below.

### Contents of Each Table Entry:

opcode	bytes/cycles
instruction mnemonic	
operand(s)	

### 51MX Extended Instruction Types:

Unmodified 80C51 Instruction	These instructions are identical to classic 80C51 instructions and thus appear only on the first two pages of the opcode chart.
New MX Instructions	These instructions are new to the 51MX. All are related to the Universal Pointers.
Extended Addressing Instructions	These instructions incorporate extended addressing, and are modified versions of classic 80C51 instructions.
Extended SFR Addressing	These instructions allow access to the expanded SFR space. These are not actually new instructions, but are classic 80C51 instructions whose function are altered by the A5h opcode.

### Operand Definitions Used in the Tables:

addr11 : 11-bit address	bit : addressable bit	#d8 : 8-bit immediate data
addr16 : 16-bit address	dir : direct address	#d16 : 16-bit immediate data
addr23 : 23-bit address	rel8 : 8-bit relative address	#d23 : 23-bit immediate data

## Extended Address Range Microcontroller

## P89C669

Table 6: 51MX operation code chart: part 1

00	NOP	1/1	10	JBC bit,rel8	3/2	20	JB bit,rel8	3/2	30	JNB bit,rel8	3/2	40	JC rel8	2/2	50	JNC rel8	2/2	60	JZ rel8	2/2	70	JNZ rel8	2/2
01	AJMP addr11	2/2	11	ACALL addr11	2/2	21	AJMP addr11	2/2	31	ACALL addr11	2/2	41	AJMP addr11	2/2	51	ACALL addr11	2/2	61	AJMP addr11	2/2	71	ACALL addr11	2/2
02	LJMP addr16	3/2	12	LCALL addr16	3/2	22	RET	1/2	32	RETI	1/2	42	ORL dir,A	2/1	52	ANL dir,A	2/1	62	XRL dir,A	2/1	72	ORL C,bit	2/2
03	RR A	1/1	13	RRC A	1/1	23	RL A	1/1	33	RLC A	1/1	43	ORL dir,#d8	3/2	53	ANL dir,#d8	3/2	63	XRL dir,#d8	3/2	73	JMP @A+DPTR	1/2
04	INC A	1/1	14	DEC A	1/1	24	ADD A,#d8	2/1	34	ADDC A,#d8	2/1	44	ORL A,#d8	2/1	54	ANL A,#d8	2/1	64	XRL A,#d8	2/1	74	MOV A,#d8	2/1
05	INC dir	2/1	15	DEC dir	2/1	25	ADD A,dir	2/1	35	ADDC A,dir	2/1	45	ORL A,dir	2/1	55	ANL A,dir	2/1	65	XRL A,dir	2/1	75	MOV dir,#d8	3/2
06	INC @R0	1/1	16	DEC @R0	1/1	26	ADD A,@R0	1/1	36	ADDC A,@R0	1/1	46	ORL A,@R0	1/1	56	ANL A,@R0	1/1	66	XRL A,@R0	1/1	76	MOV @R0,#d8	2/1
07	INC @R1	1/1	17	DEC @R1	1/1	27	ADD A,@R1	1/1	37	ADDC A,@R1	1/1	47	ORL A,@R1	1/1	57	ANL A,@R1	1/1	67	XRL A,@R1	1/1	77	MOV @R1,#d8	2/1
08	INC R0	1/1	18	DEC R0	1/1	28	ADD A,R0	1/1	38	ADDC A,R0	1/1	48	ORL A,R0	1/1	58	ANL A,R0	1/1	68	XRL A,R0	1/1	78	MOV R0,#d8	2/1
09	INC R1	1/1	19	DEC R1	1/1	29	ADD A,R1	1/1	39	ADDC A,R1	1/1	49	ORL A,R1	1/1	59	ANL A,R1	1/1	69	XRL A,R1	1/1	79	MOV R1,#d8	2/1
0A	INC R2	1/1	1A	DEC R2	1/1	2A	ADD A,R2	1/1	3A	ADDC A,R2	1/1	4A	ORL A,R2	1/1	5A	ANL A,R2	1/1	6A	XRL A,R2	1/1	7A	MOV R2,#d8	2/1
0B	INC R3	1/1	1B	DEC R3	1/1	2B	ADD A,R3	1/1	3B	ADDC A,R3	1/1	4B	ORL A,R3	1/1	5B	ANL A,R3	1/1	6B	XRL A,R3	1/1	7B	MOV R3,#d8	2/1
0C	INC R4	1/1	1C	DEC R4	1/1	2C	ADD A,R4	1/1	3C	ADDC A,R4	1/1	4C	ORL A,R4	1/1	5C	ANL A,R4	1/1	6C	XRL A,R4	1/1	7C	MOV R4,#d8	2/1
0D	INC R5	1/1	1D	DEC R5	1/1	2D	ADD A,R5	1/1	3D	ADDC A,R5	1/1	4D	ORL A,R5	1/1	5D	ANL A,R5	1/1	6D	XRL A,R5	1/1	7D	MOV R5,#d8	2/1
0E	INC R6	1/1	1E	DEC R6	1/1	2E	ADD A,R6	1/1	3E	ADDC A,R6	1/1	4E	ORL A,R6	1/1	5E	ANL A,R6	1/1	6E	XRL A,R6	1/1	7E	MOV R6,#d8	2/1
0F	INC R7	1/1	1F	DEC R7	1/1	2F	ADD A,R7	1/1	3F	ADDC A,R7	1/1	4F	ORL A,R7	1/1	5F	ANL A,R7	1/1	6F	XRL A,R7	1/1	7F	MOV R7,#d8	2/1

## Extended Address Range Microcontroller

## P89C669

Table 7: 51MX operation code chart: part 2

80	SJMP rel8 2/2	90	MOV DPTR,#d16 3/2	A0	ORL C,/bit 2/2	B0	ANL C,/bit 2/2	C0	PUSH dir 2/2	D0	POP dir 2/2	E0	MOVX A,@DPTR 1/2	F0	MOVX @DPTR,A 1/2
81	AJMP addr11 2/2	91	ACALL addr11 2/2	A1	AJMP addr11 2/2	B1	ACALL addr11 2/2	C1	AJMP addr11 2/2	D1	ACALL addr11 2/2	E1	AJMP addr11 2/2	F1	ACALL addr11 2/2
82	ANL C,bit 2/2	92	MOV bit,C 2/2	A2	MOV C,bit 2/1	B2	CPL bit 2/1	C2	CLR bit 2/1	D2	SETB bit 2/1	E2	MOVX A,@R0 1/2	F2	MOVX @R0,A 1/2
83	MOVC A,@A+PC 1/2	93	MOVC A,@A+DPTR 1/2	A3	INC DPTR 1/2	B3	CPL C 1/1	C3	CLR C 1/1	D3	SETB C 1/1	E3	MOVX A,@R1 1/2	F3	MOVX @R1,A 1/2
84	DIV AB 1/4	94	SUBB A,#d8 2/1	A4	MUL AB 1/4	B4	CJNE A,#d8,rel8 3/2	C4	SWAP A 1/1	D4	DA A 1/1	E4	CLR A 1/1	F4	CPL A 1/1
85	MOV dir,dir 3/2	95	SUBB A,dir 2/1	A5	-/ (MX extension prefix)	B5	CJNE A,dir,rel8 3/2	C5	XCH A,dir 2/1	D5	DJNZ dir,rel8 3/2	E5	MOV A,dir 2/1	F5	MOV dir,A 2/1
86	MOV dir,@R0 2/2	96	SUBB A,@R0 1/1	A6	MOV @R0,dir 2/2	B6	CJNE @R0,#d8,rel8 3/2	C6	XCH A,@R0 1/1	D6	XCHD A,@R0 1/1	E6	MOV A,@R0 1/1	F6	MOV @R0,A 1/1
87	MOV dir,@R1 2/2	97	SUBB A,@R1 1/1	A7	MOV @R1,dir 2/2	B7	CJNE @R1,#d8,rel8 3/2	C7	XCH A,@R1 1/1	D7	XCHD A,@R1 1/1	E7	MOV A,@R1 1/1	F7	MOV @R1,A 1/1
88	MOV dir,R0 2/2	98	SUBB A,R0 1/1	A8	MOV R0,dir 2/2	B8	CJNE R0,#d8,rel8 3/2	C8	XCH A,R0 1/1	D8	DJNZ R0,rel8 2/2	E8	MOV A,R0 1/1	F8	MOV R0,A 1/1
89	MOV dir,R1 2/2	99	SUBB A,R1 1/1	A9	MOV R1,dir 2/2	B9	CJNE R1,#d8,rel8 3/2	C9	XCH A,R1 1/1	D9	DJNZ R1,rel8 2/2	E9	MOV A,R1 1/1	F9	MOV R1,A 1/1
8A	MOV dir,R2 2/2	9A	SUBB A,R2 1/1	AA	MOV R2,dir 2/2	BA	CJNE R2,#d8,rel8 3/2	CA	XCH A,R2 1/1	DA	DJNZ R2,rel8 2/2	EA	MOV A,R2 1/1	FA	MOV R2,A 1/1
8B	MOV dir,R3 2/2	9B	SUBB A,R3 1/1	AB	MOV R3,dir 2/2	BB	CJNE R3,#d8,rel8 3/2	CB	XCH A,R3 1/1	DB	DJNZ R3,rel8 2/2	EB	MOV A,R3 1/1	FB	MOV R3,A 1/1
8C	MOV dir,R4 2/2	9C	SUBB A,R4 1/1	AC	MOV R4,dir 2/2	BC	CJNE R4,#d8,rel8 3/2	CC	XCH A,R4 1/1	DC	DJNZ R4,rel8 2/2	EC	MOV A,R4 1/1	FC	MOV R4,A 1/1
8D	MOV dir,R5 2/2	9D	SUBB A,R5 1/1	AD	MOV R5,dir 2/2	BD	CJNE R5,#d8,rel8 3/2	CD	XCH A,R5 1/1	DD	DJNZ R5,rel8 2/2	ED	MOV A,R5 1/1	FD	MOV R5,A 1/1
8E	MOV dir,R6 2/2	9E	SUBB A,R6 1/1	AE	MOV R6,dir 2/2	BE	CJNE R6,#d8,rel8 3/2	CE	XCH A,R6 1/1	DE	DJNZ R6,rel8 2/2	EE	MOV A,R6 1/1	FE	MOV R6,A 1/1
8F	MOV dir,R7 2/2	9F	SUBB A,R7 1/1	AF	MOV R7,dir 2/2	BF	CJNE R7,#d8,rel8 3/2	CF	XCH A,R7 1/1	DF	DJNZ R7,rel8 2/2	EF	MOV A,R7 1/1	FF	MOV R7,A 1/1

## Extended Address Range Microcontroller

P89C669

Table 8: 51MX operation code chart: part 3

	10 JBC bit,rel8 4/3	20 JB bit,rel8 4/3	30 JNB bit,rel8 4/3				
02 EJMP addr23 5/4	12 ECALL addr23 5/4	22 ERET 2/4		42 ORL dir,A 3/2	52 ANL dir,A 3/2	62 XRL dir,A 3/2	72 ORL C,bit 3/3
				43 ORL dir,#d8 4/3	53 ANL dir,#d8 4/3	63 XRL dir,#d8 4/3	73 JMP @A+EPTR 2/2
05 INC dir 3/2	15 DEC dir 3/2	25 ADD A,dir 3/2	35 ADDC A,dir 3/2	45 ORL A,dir 3/2	55 ANL A,dir 3/2	65 XRL A,dir 3/2	75 MOV dir,#d8 4/3
				48 EMOV A,@PR0+0 2/4	58 EMOV @PR0+0,A 2/4	68 ADD PR0,#4 2/4	
				49 EMOV A,@PR0+1 2/4	59 EMOV @PR0+1,A 2/4	69 ADD PR0,#1 2/4	
				4A EMOV A,@PR0+2 2/4	5A EMOV @PR0+2,A 2/4	6A ADD PR0,#2 2/4	
				4B EMOV A,@PR0+3 2/4	5B EMOV @PR0+3,A 2/4	6B ADD PR0,#3 2/4	
				4C EMOV A,@PR1+0 2/4	5C EMOV @PR1+0,A 2/4	6C ADD PR1,#4 2/4	
				4D EMOV A,@PR1+1 2/4	5D EMOV @PR1+1,A 2/4	6D ADD PR1,#1 2/4	
				4E EMOV A,@PR1+2 2/4	5E EMOV @PR1+2,A 2/4	6E ADD PR1,#2 2/4	
				4F EMOV A,@PR1+3 2/4	5F EMOV @PR1+3,A 2/4	6F ADD PR1,#3 2/4	



## Extended Address Range Microcontroller

P89C669

Table 9: 51MX operation code chart: part 4

	90 MOV EPTR,#d23 5/4	A0 ORL C,/bit 3/3	B0 ANL C,/bit 3/3	C0 PUSH dir 3/3	D0 POP dir 3/3	E0 MOVX A,@EPTR 2/4	F0 MOVX @EPTR,A 2/4
82 ANL C,bit 3/3	92 MOV bit,C 3/3	A2 MOV C,bit 3/2	B2 CPL bit 3/2	C2 CLR bit 3/2	D2 SETB bit 3/2		
	93 MOVC A,@A+EPTR 2/4	A3 INC EPTR 2/2					
85 MOV dir,dir 4/3	95 SUBB A,dir 3/2		B5 CJNE A,dir,rel8 4/3	C5 XCH A,dir 3/2	D5 DJNZ dir,rel8 4/3	E5 MOV A,dir 3/2	F5 MOV dir,A 3/2
86 MOV dir,@R0 3/3		A6 MOV @R0,dir 3/3					
87 MOV dir,@R1 3/3		A7 MOV @R1,dir 3/3					
88 MOV dir,R0 3/3		A8 MOV R0,dir 3/3					
89 MOV dir,R1 3/3		A9 MOV R1,dir 3/3					
8A MOV dir,R2 3/3		AA MOV R2,dir 3/3					
8B MOV dir,R3 3/3		AB MOV R3,dir 3/3					
8C MOV dir,R4 3/3		AC MOV R4,dir 3/3					
8D MOV dir,R5 3/3		AD MOV R5,dir 3/3					
8E MOV dir,R6 3/3		AE MOV R6,dir 3/3					
8F MOV dir,R7 3/3		AF MOV R7,dir 3/3					

## 4 EXTERNAL BUS

The external bus provides address information to external devices and initiates code read, data read, or data write operations. In 51MX devices, the external bus duplicates the classic 80C51 multiplexed external bus, allowing increased address output to 23 bits.

### 4.1 MULTIPLEXED EXTERNAL BUS

The 51MX external bus supports 8-bit data transfers and up to 23 address lines. The number of address lines available is configurable, and depends on the setting of the EAM bits in the MXCON register. The default for an unprogrammed part following reset is 16 address bits. This provides drop-in compatibility in existing 80C51 sockets.

Software may write 1 to EAM bit in MXCON, changing the default external bus configuration. Typically, this would be done once. It is not recommended to change the address configuration dynamically during program execution (for example: changing EAM=1 to EAM=0 changes external memory bus interface and prevents core from executing external code above the 64 kB boundary).

When the full 23-bit address is multiplexed on Port 2 (EAM=1 in MXCON), the high order address information (bits A22 through A16) must be latched externally in the same manner as the low order bits (A7 through A0) are latched on Port 0. The middle address bits (A15 through A8) appear on Port 2 after ALE goes low. If extended addressing is not enabled with EAM=1, Port 2 behaves just as in case of classic 80C51. An example of Port 2 address multiplexing is shown in Figure 19.

There are two special cases for Port 2 multiplexing when extended addressing is enabled: MOVX @Ri and MOVX @DPTR. These instructions do not supply a source for a full 23-bit external address. Where program memory is involved (jumps and MOVX), any "missing" address bits are supplied by the Program Counter (see Table 3). For MOVX, the additional bits are forced to zeroes to complete the address, since XDATA accessed with this instruction is on the very bottom of the data space (see Figure 3, Figure 16 and Figure 17). So, MOVX @Ri will output a 23-bit address composed of seven zeroes for the most significant bits of the address, Port 2 SFR contents for the middle byte of the address, and Ri contents for the bottom byte of the address. Similarly, MOVX @DPTR will output a 23-bit address composed of seven zeroes for the upper address and the current DPTR contents for the middle and bottom bytes of the address. Everything stated in this paragraph related to MOVX instructions is valid in case EAM=1, since this is the only case when we have 23 bit wide external memory interface. Otherwise, external memory interface is only 16 bits wide.

Software has to be written with special considerations if user's application requires 23 bit wide address interface and accesses off-chip code. If an application is set in a way that the initial part of the code executed upon reset is off-chip, the instruction that sets the EAM bit in MXCON to EAM=1 must be located at or below address 00FBh. This is to prevent the external bus from supplying a 16-bit address when a 23-bit address is required. If the Program Counter would reach address 0100h while EAM=0, the apparent address (to external hardware that is pre-wired to expect a 23-bit address) would become 01:0100. Therefore EAM bit must be configured while the high byte and the middle byte of executed instruction address are 0, since in this case both 16 and 23 bit wide address interface access the same memory location.

When application having 23 bit wide address interface with intention to use 51 interface toward memory mapped device is developed, some coding rules have to be applied. 23 bit address interface using external memory interface requires EAM=1 configuration. If memory mapped device address is determined using address on P2 and  $\overline{RD}/\overline{WR}$  control lines, no changes in the code are required compared to the regular 51, since the device is going to be addressed using only the bottom 16 bits present on the 23 bit wide address bus.

However, if memory mapped device uses falling edge on ALE control line to latch its 16 bit address, MOVX@Ri/DPTR instruction can not be used, but EMOV@PRi. Falling edge on ALE will enable address[7:0] to be fetched on P0, but at the same time bits address[22:16] will be present on P2. The right value that memory mapped device is expecting is available on falling edge of  $\overline{RD}/\overline{WR}$  when address[15:8] bits are available on P2. In the system with 23 address bits, MOVX@Ri/DPTR instruction outputs leading zeros for address[22:16], which may cause problem for targeted device. In order to avoid this situation, instruction EMOV@PRi

## Extended Address Range Microcontroller

P89C669

has to be used, with R3=R2 (when PR0 is used), or R7=R6 (when PR1 is used). By doing this, output on P2 will be the same both on falling edge of ALE and falling edge of  $\overline{RD}/\overline{WR}$ , and consequently memory mapped device will recognize its address when required.

Detailed waveforms on external memory access can be found in the data sheet written for the desired MX part.

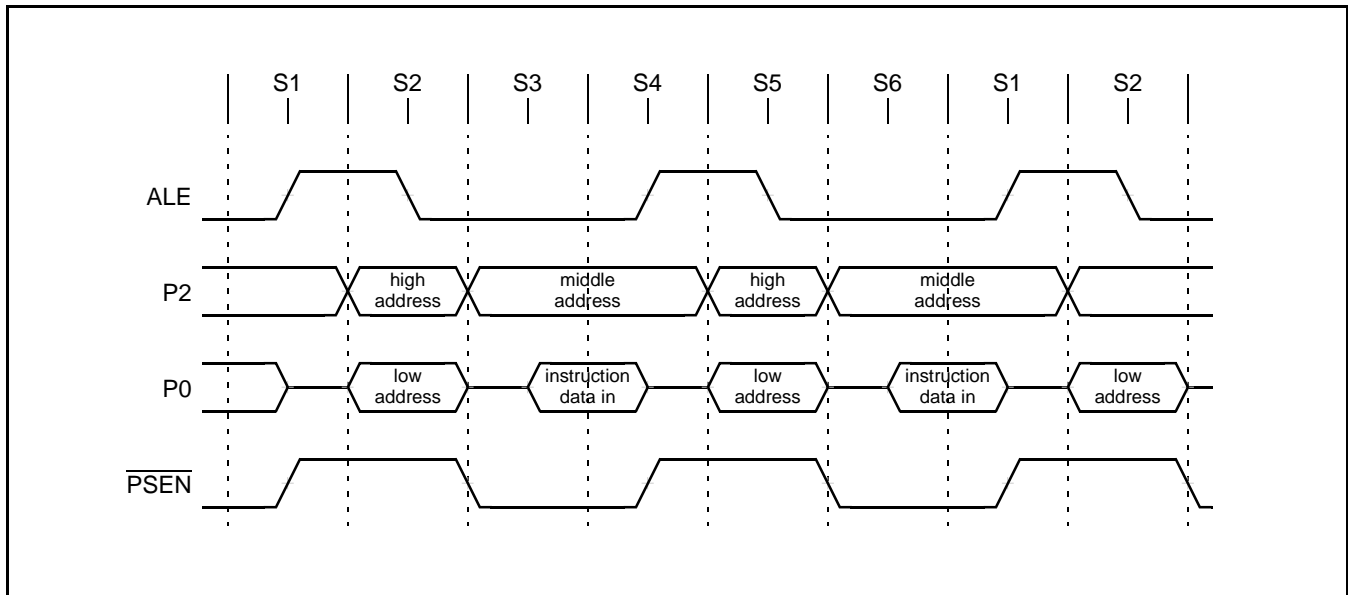


Figure 19: Example of external code memory read cycles using 23 address bits

The standard control signals and their functions for the external bus are as follows:

**Signal name**      **Function**

ALE	Address Latch Enable. This signal directs an external address latch to store the multiplexed portion of the address for the next bus operation. This may be either a data address or a code address.
$\overline{PSEN}$	Program Store Enable. Indicates that the processor is reading code from the bus. Typically connected to the Output Enable pin of external EPROMs or other memory devices. External bus addresses for code memory may range from 00:0000 through 7F:FFFF. In the Universal Memory Map, these correspond to addresses 80:0000 through FF:FFFF
$\overline{RD}$	Read. The external data read strobe. Typically connected to the $\overline{RD}$ pin of external peripheral devices.
$\overline{WR}$	Write. The write strobe for external data. Typically connected to the $\overline{WR}$ pin of external peripheral devices.

External bus addresses for data memory may range from 00:0000 through 7E:FFFF, which matches Universal Memory Map addresses. If on-chip XDATA is enabled, it will cause an addressing discontinuity in the external data address space. The DATA and IDATA spaces are always on-chip, and therefore always create such an addressing discontinuity.

## 5 INTERRUPT PROCESSING

The P87C51Mx2 uses a four priority level interrupt structure. This allows great flexibility in controlling the handling of the many interrupt sources. The P87C51Mx2 has eleven interrupt sources.

Each interrupt source can be individually enabled or disabled by setting or clearing a bit in registers IEN0 or IEN1 respectively. The IEN0 register also contains a global disable bit, EA, which disables all interrupts at once.

Each interrupt source can be individually programmed to one of four priority levels by setting or clearing bits in the IP0, IP0H, IP1, and IP1H registers. An interrupt service routine in progress can be interrupted by a higher priority interrupt, but not by another interrupt of the same or lower priority. The highest priority interrupt service cannot be interrupted by any other interrupt source. So, if two requests of different priority levels are received simultaneously, the request of higher priority level is serviced.

Priority level "00" is the lowest possible one, while priority level "11" is the highest possible one. For example, priority level of Timer0 Interrupt is determined with bits PT0H and PT0. Content PT0H=1 and PT0=0 determine level 10, i.e. level 2.

If requests of the same priority level are received simultaneously, an internal polling sequence determines which request is serviced. This is called the arbitration ranking. Note that the arbitration ranking is only used to resolve simultaneous requests of the same priority level.

Table 10 summarizes the interrupt sources, flag bits, vector addresses, enable bits, priority bits, polling priority, and whether each interrupt may wake up the CPU from Power Down mode or not.

**Table 10: Summary of Interrupts**

Description	Interrupt Flag Bit(s)	Vector Address	Interrupt Enable Bit(s)	Interrupt Priority	Polling Priority	Power Down Wakeup
External Interrupt 0	IE0	0003h	EX0 (IEN0.0)	IP0H.0, IP0.0	1 (highest)	Yes
Timer 0 Interrupt	TF0	000Bh	ET0 (IEN0.1)	IP0H.1, IP0.1	2	No
External Interrupt 1	IE1	0013h	EX1 (IEN0.2)	IP0H.2, IP0.2	3	Yes
Timer 1 Interrupt	TF1	001Bh	ET1 (IEN0.3)	IP0H.3, IP0.3	4	No
Serial Port 0 Tx and Rx <sup>1,5</sup>	TI_0 & RI_0 <sup>5</sup>	0023h	ES0/ES0R (IEN0.4)	IP0H.4, IP0.4	6	No
Serial Port 0 Rx <sup>1</sup>	RI_0					
Timer 2 Interrupt	TF2, EXF2	002Bh	ET2 (IEN0.5)	IP0H.5, IP0.5	7	No
PCA interrupt	CF, CCFn*	0033h	EC (IEN0.6)	IP0H.6, IP0.6	5	No
Serial Port 1 Tx and Rx <sup>2,6</sup>	TI_1 & RI_1 <sup>6</sup>	0053h	ES1/ES1R (IEN1.0)	IP1H.0, IP1.0	10	No
Serial Port 1 Rx <sup>2</sup>	RI_1					
Serial Port 0 Tx <sup>3</sup>	TI_0	003Bh	ES0T (IEN1.1)	IP1H.1, IP1.1	8	No
Serial Port 1 Tx <sup>4</sup>	TI_1	0043h	ES1T (IEN1.2)	IP1H.2, IP1.2	9	No
I <sup>2</sup> C Interrupt	I2C	005Bh	EI2C (IEN1.4)	IP1H.4, IP1.4	11 (lowest available)	No

1. S0STAT.5 = 0 selects combined Serial Port 0 Tx and Rx interrupt; S0STAT.5 = 1 selects Serial Port 0 Rx interrupt only (and TX interrupt will be different, see Note 3 below).

2. S1STAT.5 = 0 selects combined Serial Port 1 Tx and Rx interrupt; S1STAT.5 = 1 selects Serial Port 1 Rx interrupt only (and TX interrupt will be different, see Note 4 below).

3. This interrupt is used as Serial Port 0 Tx interrupt if and only if S0STAT.5 = 1, and is disabled otherwise.

4. This interrupt is used as Serial Port 1 Tx interrupt if and only if S1STAT.5 = 1, and is disabled otherwise.

5. If S0STAT.0 = 1, the following Serial Port 0 additional flag bits can cause this interrupt: FE\_0, BR\_0, OE\_0.

6. If S1STAT.0 = 1, the following Serial Port 1 additional flag bits can cause this interrupt: FE\_1, BR\_1, OE\_1.

Extended Address Range Microcontroller

P89C669

<b>IEN0</b>	Address: A8h								
Bit addressable		7	6	5	4	3	2	1	0
Reset Value: 00h		EA	EC	ET2	ES0/ES0R	ET1	EX1	ET0	EX0
<b>BIT</b>	<b>SYMBOL</b>	<b>FUNCTION</b>							
IEN0.7	EA	Interrupt Enable Bit: EA=1 interrupt(s) can be serviced, EA=0 interrupt servicing disabled.							
IEN0.6	EC	PCA Interrupt Enable bit.							
IEN0.5	ET2	Timer 2 Interrupt Enable.							
IEN0.4	ES0/ES0R	Serial Port 0 Combined Tx/Rx Interrupt Enable (S0STAT.5 = 0)/Serial Port 0 Receive Interrupt Enable (S0STAT.5 = 1).							
IEN0.3	ET1	Timer1 Overflow Interrupt Enable.							
IEN0.2	EX1	External Interrupt 1 Enable.							
IEN0.1	ET0	Timer 0 Overflow Interrupt Enable.							
IEN0.0	EX0	External Interrupt 0 Enable.							

Figure 20: Interrupt Enable Register IEN0

<b>IEN1</b>	Address: E8h								
Bit addressable		7	6	5	4	3	2	1	0
Reset Value: 00h		-	-	-	EI2C	-	ES1T	ES0T	ES1/ES1R
<b>BIT</b>	<b>SYMBOL</b>	<b>FUNCTION</b>							
IEN1.7-5	-	Reserved for future use. Should be set to 0 by user programs.							
IEN1.4	EI2C	I <sup>2</sup> C Interrupt Enable.							
IEN1.3	-	Reserved for future use. Should be set to 0 by user programs.							
IEN1.2	ES1T	If S1STAT.5 = 1, it is Serial Port 1 Transmit Interrupt Enable. If S1STAT.5 = 0, this interrupt is disabled anyway.							
IEN1.1	ES0T	If S0STAT.5 = 1, it is Serial Port 0 Transmit Interrupt Enable. If S0STAT.5 = 0, this interrupt is disabled anyway.							
IEN1.0	ES1/ES1R	Serial Port 1 Combined Tx/Rx Interrupt Enable (S1STAT.5 = 0)/Serial Port 1 Receive Interrupt Enable (S1STAT.5 = 1).							

Figure 21: Interrupt Enable Register IEN1

Extended Address Range Microcontroller

P89C669

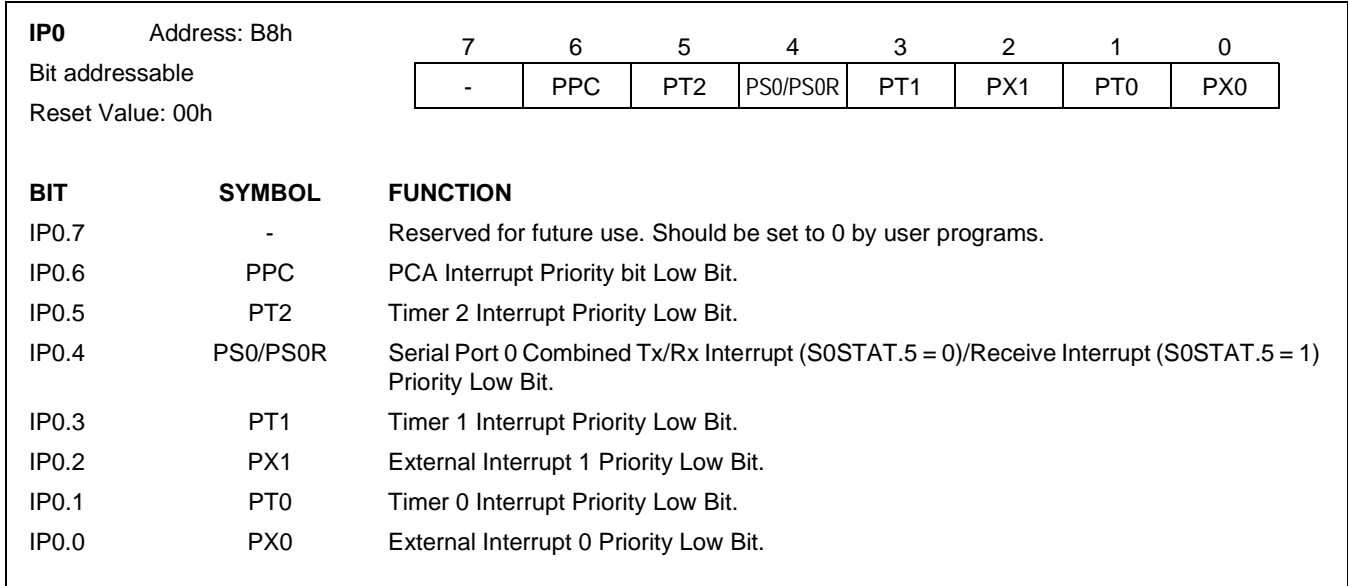


Figure 22: Interrupt Priority Register IP0

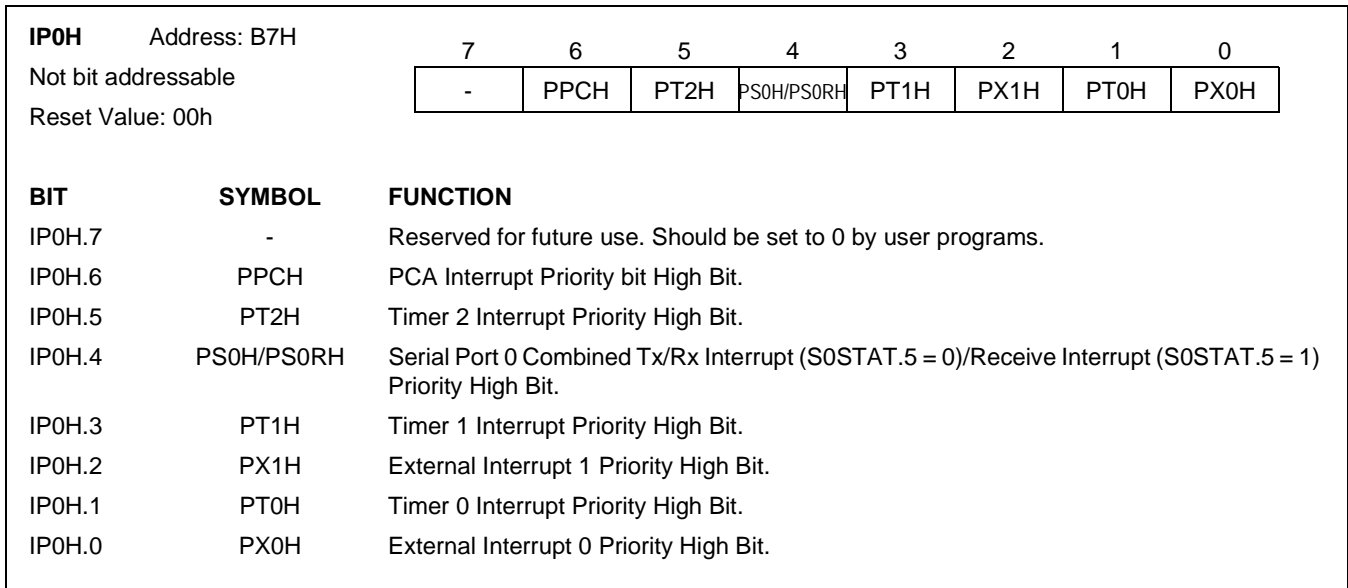


Figure 23: Interrupt Priority High Byte IP0H

## Extended Address Range Microcontroller

P89C669

<b>IP1</b>	Address: F8H								
Bit addressable		7	6	5	4	3	2	1	0
Reset Value: 00h		-	-	-	PI2C	-	PS1T	PS0T	PS1/PS1R
<b>BIT</b>	<b>SYMBOL</b>	<b>FUNCTION</b>							
IP1.7-5	-	Reserved for future use. Should be set to 0 by user programs.							
IP1.4	PI2C	I <sup>2</sup> C Interrupt Priority Low Bit.							
IP1.3	-	Reserved for future use. Should be set to 0 by user programs.							
IP1.2	PS1T	Serial Port 1 transmit Interrupt (S1STAT.5 = 1) Priority Low Bit.							
IP1.1	PS0T	Serial Port 0 transmit Interrupt (S0STAT.5 = 1) Priority Low Bit.							
IP1.0	PS1/PS1R	Serial Port 1 combined Tx/Rx Interrupt (S1STAT.5 = 0)/receive Interrupt (S1STAT.5 = 1) Priority Low Bit.							

Figure 24: Interrupt Priority Register 1

<b>IP1H</b>	Address: F7H								
Not bit addressable		7	6	5	4	3	2	1	0
Reset Value: 00h		-	-	-	PI2CH	-	PS1TH	PS0TH	PS1H/PS1RH
<b>BIT</b>	<b>SYMBOL</b>	<b>FUNCTION</b>							
IP1H.7-5	-	Reserved for future use. Should be set to 0 by user programs.							
IP1H.4	PI2CH	I <sup>2</sup> C Interrupt Priority High Bit.							
IP1H.3	-	Reserved for future use. Should be set to 0 by user programs.							
IP1H.2	PS1TH	Serial Port 1 transmit Interrupt (S1STAT.5 = 1) Priority High Bit.							
IP1H.1	PS0TH	Serial Port 0 transmit Interrupt (S0STAT.5 = 1) Priority High Bit.							
IP1H.0	PS1H/PS1RH	Serial Port 1 combined Tx/RxInterrupt (S1STAT.5 = 0)/receive Interrupt (S1STAT.5 = 1) Priority High Bit.							

Figure 25: Interrupt Priority Register 1 High Byte

## 6 P89C669 PORTS, POWER CONTROL AND PERIPHERALS

### 6.1 SPECIAL FUNCTION REGISTERS

**Note: Special Function Registers (SFRs) accesses are restricted in the following ways:**

1. User must NOT attempt to access any SFR locations not defined.
2. Accesses to any defined SFR locations must be strictly for the functions for the SFRs.
3. SFR bits labeled '-', '0' or '1' can ONLY be written and read as follows:
  - '-' MUST be written with '0', but can return any value when read (even if it was written with '0'). It is a reserved bit and may be used in future derivatives.
  - '0' MUST be written with '0', and will return a '0' when read.
  - '1' MUST be written with '1', and will return a '1' when read.

#### Special Function Registers

SYMBOL	DESCRIPTION	DIRECT ADDRESS	BIT ADDRESS, SYMBOL, OR ALTERNATE PORT FUNCTION								Reset Value
			MSB				LSB				
ACC*	Accumulator	E0H	E7	E6	E5	E4	E3	E2	E1	E0	00H
AUXR#	Auxiliary Function Register	8EH	-	-	-	-	-	-	EXTRAM	AO	00H%
AUXR1#	Auxiliary Function Register 1	A2H	-	-	ENBOOT	-	GF2	0	-	DPS	00H%
B*	B Register	F0H	F7	F6	F5	F4	F3	F2	F1	F0	00H
BRGCON#	Baud Rate Generator Control	85H <sup>‡</sup>	-	-	-	-	-	-	S0BRGS	BRGEN	00H%
BRGR0#§	Baud Rate Generator Rate Low	86H <sup>‡</sup>	BRATE15	BRATE14	BRATE13	BRATE12	BRATE11	BRATE16	BRATE09	BRATE08	00H
BRGR1#§	Baud Rate Generator Rate High	87H <sup>‡</sup>	BRATE07	BRATE06	BRATE05	BRATE04	BRATE03	BRATE02	BRATE01	BRATE00	00H
CCAP0H#	Module 0 Capture High	FAH									XXH
CCAP1H#	Module 1 Capture High	FBH									XXH
CCAP2H#	Module 2 Capture High	FCH									XXH
CCAP3H#	Module 3 Capture High	FDH									XXH
CCAP4H#	Module 4 Capture High	FEH									XXH
CCAP0L#	Module 0 Capture Low	EAH									XXH
CCAP1L#	Module 1 Capture Low	EBH									XXH
CCAP2L#	Module 2 Capture Low	ECH									XXH
CCAP3L#	Module 3 Capture Low	EDH									XXH
CCAP4L#	Module 4 Capture Low	EEH									XXH
CCAPM0#	Module 0 Mode	DAH	-	ECOM_0	CAPP_0	CAPN_0	MAT_0	TOG_0	PWM_0	ECCF_0	00H%
CCAPM1#	Module 1 Mode	DBH	-	ECOM_1	CAPP_1	CAPN_1	MAT_1	TOG_1	PWM_1	ECCF_1	00H%
CCAPM2#	Module 2 Mode	DCH	-	ECOM_2	CAPP_2	CAPN_2	MAT_2	TOG_2	PWM_2	ECCF_2	00H%
CCAPM3#	Module 3 Mode	DDH	-	ECOM_3	CAPP_3	CAPN_3	MAT_3	TOG_3	PWM_3	ECCF_3	00H%
CCAPM4#	Module 4 Mode	DEH	-	ECOM_4	CAPP_4	CAPN_4	MAT_4	TOG_4	PWM_4	ECCF_4	00H%



Extended Address Range Microcontroller

P89C669

Special Function Registers (Continued)

SYMBOL	DESCRIPTION	DIRECT ADDRESS	BIT ADDRESS, SYMBOL, OR ALTERNATE PORT FUNCTION						Reset Value		
			MSB			LSB					
CCON*#	PCA Counter Control	D8H	DF	DE	DD	DC	DB	DA	D9	D8	00H%
			CF	CR	-	CCF4	CCF3	CCF2	CCF1	CCF0	
CH#	PCA Counter High	F9H							00H		
CL#	PCA Counter Low	E9H							00H		
CMOD#	PCA Counter Mode	D9H	CIDL	WDTE	-	-	-	CPS1	CPS0	ECF	00H%
DPTR	Data Pointer (2 bytes)								00H		
DPH	Data Pointer High	83H							00H		
DPL	Data Pointer Low	82H							00H		
EPL#	Extended Data Pointer Low	FCH <sup>†</sup>							00H		
EPM#	Extended Data Pointer Middle	FDH <sup>†</sup>							00H		
EPH#	Extended Data Pointer High	FEH <sup>†</sup>							00H		
I2ADR	I <sup>2</sup> C Slave Address Register	94H	addr.6	addr.5	addr.4	addr.3	addr.2	addr.1	addr.0	GC	00H
I2CON	I <sup>2</sup> C Control Register	91H	-	I2EN	STA	STO	SI	AA	-	CRSEL	00H
I2DAT	I <sup>2</sup> C Data Register	93H							XXH		
I2CLH	I <sup>2</sup> C Clock Generator (High Register)	96H							00H		
I2CLL	I <sup>2</sup> C Clock Generator (Low Register)	95H							00H		
I2STA	I <sup>2</sup> C Status Register	92H	code.4	code.3	code.2	code.1	code.0	0	0	0	F8H
IEN0*	Interrupt Enable 0	A8H	AF	AE	AD	AC	AB	AA	A9	A8	00H
			EA	EC	ET2	ES0/ES0R	ET1	EX1	ET0	EX0	
IEN1*	Interrupt Enable 1	E8H	EF	EE	ED	EC	EB	EA	E9	E8	00H%
			-	-	-	EI2C	-	ES1T	ES0T	ES1/ES1R	
IP0*	Interrupt Priority	B8H	BF	BE	BD	BC	BB	BA	B9	B8	00H
			-	PPC	PT2	PS0/PS0R	PT1	PX1	PT0	PX0	
IP0H	Interrupt Priority 0 High	B7H	-	PPCH	PT2H	PS0H/PS0RH	PT1H	PX1H	PT0H	PX0H	00H
IP1*	Interrupt Priority 1	F8H	FF	FE	FD	FC	FB	FA	F9	F8	00H%
			-	-	-	PI2C	-	PS1T	PS0T	PS1/PS1R	
IP1H	Interrupt Priority 1 High	F7H	-	-	-	PI2CH	-	PS1TH	PS0TH	PS1H/PS1RH	00H%

Extended Address Range Microcontroller

P89C669

Special Function Registers (Continued)

SYMBOL	DESCRIPTION	DIRECT ADDRESS	BIT ADDRESS, SYMBOL, OR ALTERNATE PORT FUNCTION								Reset Value
			MSB				LSB				
MXCON#	MX Control Register	FFH <sup>†</sup>	-	-	-	-	-	EAM	ESMM	EIFM	00H <sup>%</sup>
P0*	Port 0	80H	87	86	85	84	83	82	81	80	FFH
P1*	Port 1	90H	AD7	AD6	AD5	AD4	AD3	AD2	AD1	AD0	FFH
P2*	Port 2	A0H	97	96	95	94	93	92	91	90	FFH
P3*	Port 3	B0H	SDA	SCL	CEX2	CEX1	CEX0	ECI	T2EX	T2	FFH
P4*#	Port 4	C0H <sup>†</sup>	A7	A6	A5	A4	A3	A2	A1	A0	FFH
PCON#	Power Control Register	87H	AD15	AD14/ AD22	ADA13/ AD21	AD12/AD20	AD11/ AD19	AD10/ AD18	AD9/ AD17	AD8/ AD16	00H/10H <sup>&amp;</sup>
PSW*	Program Status Word	D0H	B7	B6	B5	B4	B3	B2	B1	B0	00H
RCAP2H#	Timer2 Capture High	CBH	$\overline{RD}$	$\overline{WR}$	T1/CEX4	T0/CEX3	$\overline{INT1}$	$\overline{INT0}$	TxD0	RxD0	00H
RCAP2L#	Timer2 Capture Low	CAH	C7 <sup>†</sup>	C6 <sup>†</sup>	C5 <sup>†</sup>	C4 <sup>†</sup>	C3 <sup>†</sup>	C2 <sup>†</sup>	C1 <sup>†</sup>	C0 <sup>†</sup>	00H
S0CON*	Serial Port 0 Control	98H	-	-	-	-	-	-	TxD1	RxD1	00H
S0BUF	Serial Port 0 Data Buffer Register	99H	SMOD1	SMOD0	-	POF	GF1	GF0	PD	IDL	xxH
S0ADDR	Serial Port 0 Address Register	A9H	D7	D6	D5	D4	D3	D2	D1	D0	00H
S0ADEN	Serial Port 0 Address Enable	B9H	CY	AC	F0	RS1	RS0	OV	F1	P	00H
S0STAT#	Serial Port 0 Status	8CH <sup>†</sup>	9F	9E	9D	9C	9B	9A	99	98	00H <sup>%</sup>
S1CON#*	Serial Port 1 Control	80H <sup>†</sup>	SM0_0/ FE_0	SM1_0	SM2_0	REN_0	TB8_0	RB8_0	TI_0	RI_0	00H
S1BUF#	Serial Port 1 Data buffer Register	81H <sup>†</sup>	DBMOD_0	INTLO_0	CIDIS_0	DBISEL_0	FE_0	BR_0	OE_0	STINT_0	XXH
S1ADDR#	Serial Port 1 Address Register	82H <sup>†</sup>	87 <sup>†</sup>	86 <sup>†</sup>	85 <sup>†</sup>	84 <sup>†</sup>	83 <sup>†</sup>	82 <sup>†</sup>	81 <sup>†</sup>	80 <sup>†</sup>	00H
S1ADEN#	Serial Port 1 Address Enable	83H <sup>†</sup>	SM0_1/ FE_1	SM1_1	SM2_1	REN_1	TB8_1	RB8_1	TI_1	RI_1	00H
S1STAT#	Serial Port 1 Status	84H <sup>†</sup>	DBMOD_1	INTLO_1	CIDIS_1	DBISEL1	FE_1	BR_1	OE_1	STINT_1	00H <sup>%</sup>
SP	Stack Pointer (or Stack Pointer Low Byte When EDATA Supported)	81H									

## Extended Address Range Microcontroller

P89C669

## Special Function Registers (Continued)

SYMBOL	DESCRIPTION	DIRECT ADDRESS	BIT ADDRESS, SYMBOL, OR ALTERNATE PORT FUNCTION								Reset Value
			MSB				LSB				
SPE#	Stack Pointer High	FBH <sup>‡</sup>									00H
TCON*	Timer Control Register	88H	8F	8E	8D	8C	8B	8A	89	88	00H
			TF1	TR1	TF0	TR0	IE1	IT1	IE0	IT0	
T2CON#*	Timer2 Control Register	C8H	CF	CE	CD	CC	CB	CA	C9	C8	00H
			TF2	EXF2	RCLK	TCLK	EXEN2	TR2	C/T <sub>2</sub>	CP/RL <sub>2</sub>	
T2MOD#	Timer2 Mode Control	C9H	-	-	ENT2	TF2DE	T2GATE	T2PWME	T2OE	DCEN	00H <sup>%</sup>
TH0	Timer 0 High	8CH									00H
TH1	Timer 1 High	8DH									00H
TH2	Timer 2 High	CDH									00H
TL0	Timer 0 Low	8AH									00H
TL1	Timer 1 Low	8BH									00H
TL2	Timer 2 Low	CCH									00H
TMOD	Timer 0 and 1 Mode	89H	T1GATE	T1C/T	T1M1	T1M0	T0GATE	T0C/T	T0M1	T0M0	00H
WDRST#	Watchdog Timer Reset	A6H									FFH
WDCON#	Watchdog Timer Control	8FH <sup>‡</sup>	-	-	-	-	-	WDPRE2	WDPRE1	WDPRE0	00H <sup>%</sup>

**Notes:**

\* SFRs are bit addressable.

# SFRs are modified from or added to the 80C51 SFRs.

‡ Extended SFRs accessed by preceding the instruction with MX escape (opcode A5h).

- Reserved bits, must be written with 0's.

&amp; Power on reset is 10H. Other reset is 00H.

% The unimplemented bits (labeled '-') in the SFRs are 'X's (unknown) at all times. '1's should NOT be written to these bits, as they may be used for other purposes in future derivatives. The reset values shown for these bits are '0's although they are unknown when read.

% The unimplemented bits (labeled '-') in the SFRs are 'X's (unknown) at all times. '1's should NOT be written to these bits, as they may be used for other purposes in future derivatives. The reset values shown for these bits are '0's although they are unknown when read.

## 6.2 P89C669 PORTS

### 6.2.1 PORTS 0, 1, 2, 3

Ports 0, 1, 2, 3 are the same as the ports in a conventional 80C51 device. They are located at the same bit-addressable locations of 80H, 90H, A0H, and B0H in the conventional SFR space.

Observed port's output is logical and of port's sfr and microcontroller's peripheral that is using that port. In order to allow peripheral to fully control dedicated pin, corresponding bit(s) in port's sfr must be 1. Otherwise, if some of port's bits are 0s, output of peripherals using those pins will not be able to change output which is going to be low all the time, due to port bit's 0.

## 6.2.2 PORT 4

The P89C669 has an additional port called Port 4. This port is not available as general purpose I/O. It hosts pins RXD1 (P4.0) and TXD1 (P4.1) that are part of UART1. Both of them have internal pull-up resistor.

## 6.3 P89C669 LOW POWER MODES

### 6.3.1 STOP CLOCK MODE

The static design enables the clock speed to be reduced down to 0 MHz (stopped). When the oscillator is stopped, the RAM and Special Function Registers retain their values. This mode allows step-by-step utilization and permits reduced system power consumption by lowering the clock frequency down to any value. For lowest power consumption the Power Down mode is suggested.

### 6.3.2 IDLE MODE

In the idle mode (see Table 11), the CPU puts itself to sleep while all of the on-chip peripherals stay active. The instruction to invoke the idle mode is the last instruction executed in the normal operating mode before the idle mode is activated. The CPU contents, the on-chip RAM, and all of the special function registers remain intact during this mode. Idle mode is entered by setting the IDL bit in the PCON register.

There are two ways to terminate the Idle mode. Activation of any enabled interrupt will cause IDL to be cleared by hardware, terminating the Idle mode. The interrupt is serviced, and following RETI, the next instruction to be executed will be the one following the instruction that put the device into Idle.

Hardware reset is the second way to exit Idle mode, and the processor continues in the same manner as in case of power-on reset. Hardware reset by default clears IDL bit to 0. Before reset really occurs and internal reset algorithm takes control, the part will execute several instructions after the point in code when the Idle mode was invoked, i.e. the device normally resumes program execution, from where it left off. On-chip hardware inhibits access to the internal RAM during this time, but access to the port pins is not inhibited, so, insertion of 3 NOP instructions is recommended following the instruction that invokes idle mode. To eliminate the possibility of unexpected outputs at the port pins in general, the instruction following the one that invokes Idle mode should not be the one that writes to a port pin or to external data RAM.

### 6.3.3 POWER-DOWN MODE

To save even more power, a Power Down mode (see Table 11) can be invoked by software. In this mode, the oscillator is stopped and the instruction that invoked Power Down is the last instruction executed. This mode stops the oscillator in order to absolutely minimize power consumption. Power Down mode is entered by setting the PD bit in the PCON register.

**Table 11: External Pin Status During Idle and Power Down Modes**

MODE	Program Memory	ALE	$\overline{\text{PSEN}}$	PORT 0	PORT 1	PORT 2	PORT 3
Idle	Internal	1	1	Data	Data	Data	Data
Idle	External	1	1	Float	Data	Address	Data
Power Down	Internal	0	0	Data	Data	Data	Data
Power Down	External	0	0	Float	Data	Data	Data

The processor can be made to exit Power Down mode via Reset or one of the external interrupt inputs ( $\overline{\text{INT0}}$ ,  $\overline{\text{INT1}}$  - configured to be level sensitive only). This will occur if the interrupt is enabled and its priority is higher than any interrupt currently in progress.

While having the MX part in Power Down Mode and driving Reset high (or external interrupt line low), the oscillator dedicated analog subsystem inside of the microcontroller will be enabled. However, only when the wake-up pulse on reset/external interrupt

## Extended Address Range Microcontroller

P89C669

line is ended, the rest of microcontroller will be supplied with the system clock, and continue to operate. The duration of an input pulse on reset/external interrupt pin in order to wake the part from Power Down Mode depends solely on external oscillator's circuit components. At the end of wake-up procedure, reset/external interrupt line can be brought to non-active level as soon as input at XTAL1 pin achieves stable frequency, duty cycle and amplitude. If an external interrupt caused the part to wake up, execution of forced jump (that directs code execution to the proper interrupt service routine) will end Power Down Mode.

By exiting Power Down mode via external interrupt, the core automatically clears the PD bit and thus enables a new entry into Power Down Mode. Once the interrupt is serviced, the next instruction to be executed after RETI will be the one following the instruction that put the device into Power Down Mode. External reset by default clears PD bit, and enables the next Power Down.

In Power Down mode, the power supply voltage may be reduced to the RAM keep-alive voltage  $V_{RAM}$ . This retains the RAM contents at the point where Power Down mode was entered. SFR contents are not guaranteed after  $V_{DD}$  has been lowered to  $V_{RAM}$ , since RAM and SFRs are built using different processes. Therefore it is recommended to wake up the processor via Reset in this case (since Reset redefines all SFRs - including PD bit, but doesn't change on-chip RAM).  $V_{DD}$  must be raised to within the operating range before the Power Down mode is exited.

PCON		Address: 87h							
Not bit addressable		7	6	5	4	3	2	1	0
Reset Value: 00?X0000B		SMOD1	SMOD0	-	POF	GF1	GF0	PD	IDL
BIT	SYMBOL	FUNCTION							
PCON.7	SMOD1	Baud Rate Control bit for serial port 0. When 0, the baud rate for UART 0 will be the input rate (T1 timer or baud rate generator, as determined by the BRGCON extended SFR) divided by two. When 1, the baud rate for UART 0 will be the input rate (T1 timer or baud rate generator). UART 1 is not affected by this bit.							
PCON.6	SMOD0	Framing Error Location. When 1, bit 7 of S0CON and S1CON will be used for framing error status for UART 0 and 1 respectively. When 0, these bits will function as SM0 for UARTs 0 and 1 respectively.							
PCON.5	-	Reserved for future use. Should not be set to 1 by user programs.							
PCON.4	POF	Power On Flag. Reset value = 1 for power-on reset only; all other reset sources POF=0.							
PCON.3	GF1	General purpose flag 1. May be read or written by user software, but has no effect on operation.							
PCON.2	GF0	General purpose flag 0. May be read or written by user software, but has no effect on operation.							
PCON.1	PD	Power Down control bit. Setting this bit activates Power Down mode operation. Cleared when the Power Down mode is terminated (see text).							
PCON.0	IDL	Idle mode control bit. Setting this bit activates Idle mode operation. Cleared when the Idle mode is terminated (see text).							

Figure 26: Power Control Register (PCON)

### 6.3.4 POWER-ON FLAG

The Power On Flag (POF) is set by on-chip circuitry when the  $V_{DD}$  level on the P87C51Mx2 rises from 0V. The POF bit allows user to determine if the reset is the result of a power-on or a warm start after the powerdown. The POF bit can be cleared by software only.

## 6.4 TIMERS/COUNTERS 0 AND 1

The two 16-bit Timer/Counter registers: Timer 0 and Timer 1 can be configured to operate either as timers or event counters (see Figure 27).

Extended Address Range Microcontroller

P89C669

In the "Timer" function, the register is incremented every machine cycle. Thus, one can think of it as counting machine cycles. Since a machine cycle consists of 6 oscillator periods, the count rate is 1/6 of the oscillator frequency.

In the "Counter" function, the register is incremented in response to a 1-to-0 transition at its corresponding external input pin, T0 or T1. In this function, the external input is sampled once every machine cycle.

When the samples show a high in one cycle and a low in the next cycle, the count is incremented. The new count value appears in the register in the machine cycle following the one in which the transition was detected. Since it takes 2 machine cycles (12 oscillator periods) for 1-to-0 transition to be recognized, the maximum count rate is 1/12 of the oscillator frequency. There are no restrictions on the duty cycle of the external input signal, but to ensure that a given level is sampled at least once before it changes, it should be held for at least one full machine cycle. In addition to the "Timer" or "Counter" selection, Timer 0 and Timer 1 have four operating modes from which to select.

The "Timer" or "Counter" function is selected by control bits C/T in the Special Function Register TMOD. These two Timer/Counters have four operating modes, which are selected by bit-pairs (M1, M0) in TMOD. Modes 0, 1, and 2 are the same for both Timers/Counters. Mode 3 is different. The four operating modes are described in the following text.

<b>TMOD</b>	Address: 89h	7	6	5	4	3	2	1	0
Not bit addressable		T1GATE	T1C $\bar{T}$	T1M1	T1M0	T0GATE	T0C $\bar{T}$	T0M1	T0M0
Reset Source(s):	Any source								
Reset Value:	0000000B								
	T1/T0	Bits controlling Timer1/Timer0							
	GATE	Gating control when set. Timer/Counter "x" is enabled only while "INTx" pin is high and "TRx" control pin is set. when cleared Timer "x" is enabled whenever "TRx" control bit is set.							
	C $\bar{T}$	Gating Timer or Counter Selector cleared for Timer operation (input from internal system clock.) Set for Counter operation (input from "Tx" input pin).							
	<b>M1</b>	<b>M0</b>	<b>OPERATING MODE</b>						
	0	0	0	8048 Timer "TLx" serves as 5-bit prescaler.					
	0	1	1	16-bit Timer/Counter "THx" and "TLx" are cascaded; there is no prescaler.					
	1	0	2	8-bit auto-reload Timer/Counter "THx" holds a value which is to be reloaded into "TLx" each time it overflows.					
	1	1	3	(Timer 0) TL0 is an 8-bit Timer/Counter controlled by the standard Timer 0 control bits. TH0 is an 8-bit timer only controlled by Timer 1 control bits.					
	1	1	3	(Timer 1) Timer/Counter 1 stopped.					

Figure 27: Timer/Counter Mode Control Register (TMOD)

Extended Address Range Microcontroller

P89C669

<b>TCON</b> Address: 88h	7	6	5	4	3	2	1	0
Bit addressable	TF1	TR1	TF0	TR0	IE1	IT1	IE0	IT0
Reset Source(s): Any reset								
Reset Value: 00000000B								
<b>BIT</b>	<b>SYMBOL</b>	<b>FUNCTION</b>						
TCON.7	TF1	Timer 1 overflow flag. Set by hardware on Timer/Counter overflow. Cleared by hardware when the processor vectors to Timer 1 Interrupt routine, or by software.						
TCON.6	TR1	Timer 1 Run control bit. Set/cleared by software to turn Timer/Counter 1 on/off.						
TCON.5	TF0	Timer 0 overflow flag. Set by hardware on Timer/Counter overflow. Cleared by hardware when the processor vectors to Timer 0 Interrupt routine, or by software.						
TCON.4	TR0	Timer 0 Run control bit. Set/cleared by software to turn Timer/Counter 0 on/off.						
TCON.3	IE1	Interrupt 1 Edge flag. Set by hardware when external interrupt 1 edge/low level is detected. Cleared by hardware when the interrupt is processed, or by software.						
TCON.2	IT1	Interrupt 1 Type control bit. Set/cleared by software to specify falling edge/low level that triggers external interrupt 1.						
TCON.1	IE0	Interrupt 0 Edge flag. Set by hardware when external interrupt 0 edge/low level is detected. Cleared by hardware when the interrupt is processed, or by software.						
TCON.0	IT0	Interrupt 0 Type control bit. Set/cleared by software to specify falling edge/low level that triggers external interrupt 0.						

Figure 28: Timer/Counter Control Register (TCON)

6.4.1 MODE 0

Putting either Timer into Mode 0 makes it look like an 8048 Timer, which is an 8-bit Counter with a fixed divide-by-32 prescaler. Figure 29 shows Mode 0 operation.

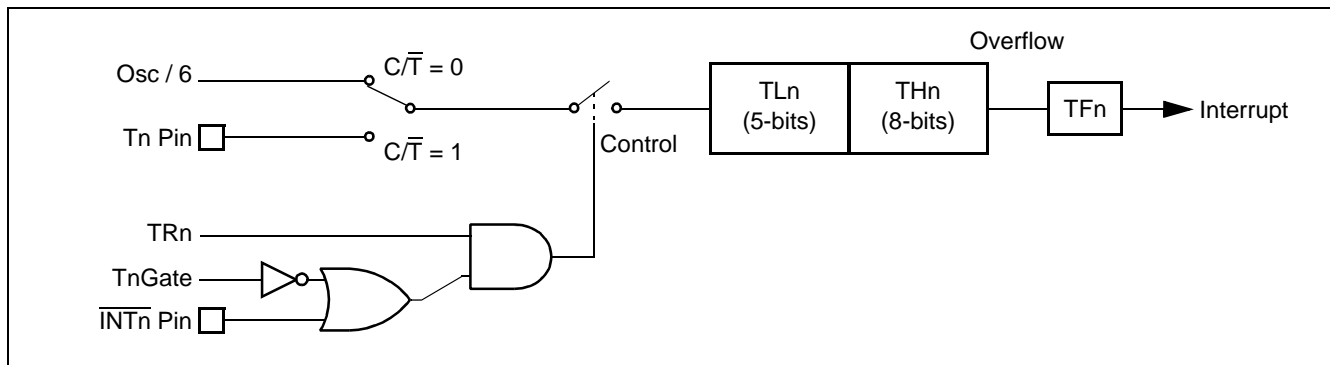


Figure 29: Timer/Counter 0 or 1 in Mode 0 (13-Bit Counter)

In this mode, the Timer register is configured as a 13-bit register. As the count rolls over from all 1s to all 0s, it sets the Timer interrupt flag TF<sub>n</sub>. The count input is enabled to the Timer when TR<sub>n</sub> = 1 and either GATE = 0 or INT<sub>n</sub> = 1. (Setting GATE = 1 allows the Timer to be controlled by external input INT<sub>n</sub>, to facilitate pulse width measurements). TR<sub>n</sub> is a control bit in the Special Function Register TCON (Figure 28). The GATE bit is in the TMOD register.

The 13-bit register consists of all 8 bits of TH<sub>n</sub> and the lower 5 bits of TL<sub>n</sub>. The upper 3 bits of TL<sub>n</sub> are indeterminate and should be ignored. Setting the run flag (TR<sub>n</sub>) does not clear the registers.

Mode 0 operation is the same for Timer 0 and Timer 1 (see Figure 29). There are two different GATE bits, one for Timer 1 (TMOD.7) and one for Timer 0 (TMOD.3).

### 6.4.2 MODE 1

Mode 1 is the same as Mode 0, except that all 16 bits of the timer register (THn and TLn) are used. See Figure 31.

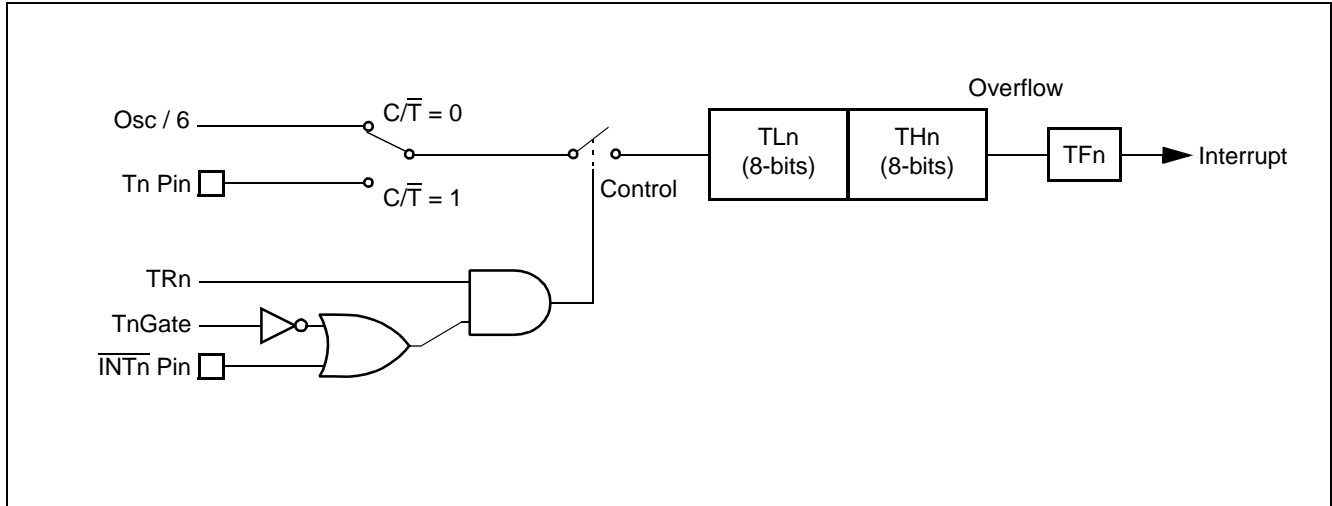


Figure 30: Timer/Counter 0 or 1 in Mode 1 (16-Bit Counter)

### 6.4.3 MODE 2

Mode 2 configures the Timer register as an 8-bit Counter (TLn) with automatic reload, as shown in Figure 31. Overflow from TLn not only sets TFn, but also reloads TLn with the contents of THn, which must be preset by software. The reload leaves THn unchanged. Mode 2 operation is the same for Timer 0 and Timer 1.

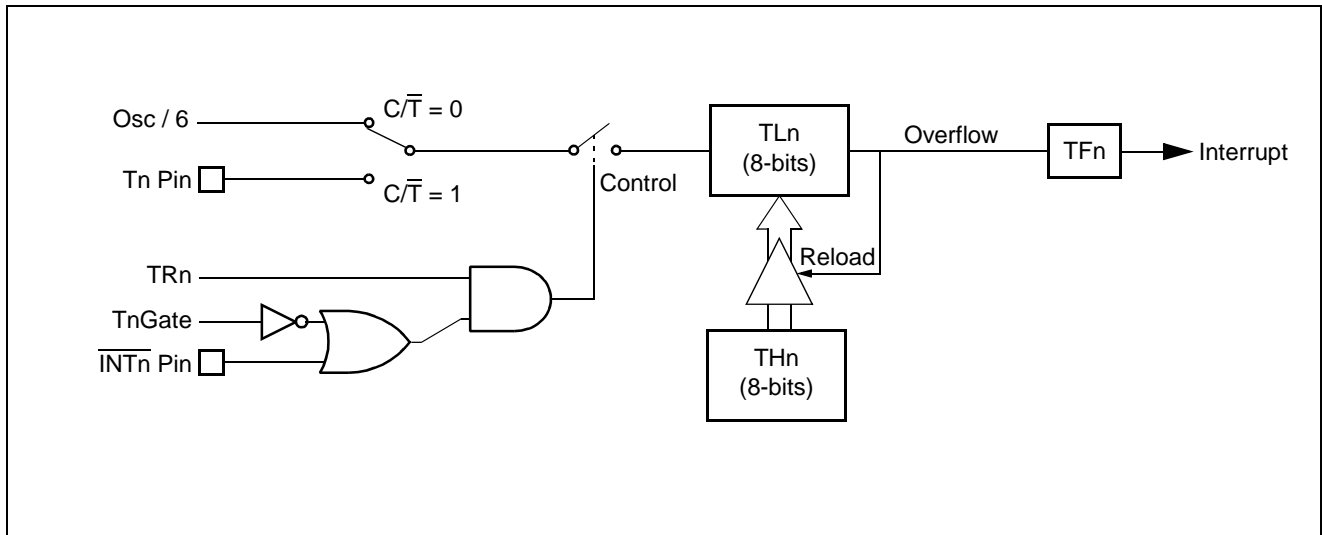


Figure 31: Timer/Counter 0 or 1 in Mode 2 (8-Bit Auto-Reload)



### 6.4.4 MODE 3

When Timer 1 is in Mode 3 it is stopped (holds its count). The effect is the same as setting TR1 = 0.

Timer 0 in Mode 3 establishes TL0 and TH0 as two separate 8-bit counters. The logic for Mode 3 and Timer 0 is shown in Figure 32. TL0 uses the Timer 0 control bits: T0C/T, T0GATE, TR0, INT0, and TF0. TH0 is locked into a timer function (counting machine cycles) and takes over the use of TR1 and TF1 from Timer 1. Thus, TH0 now controls the "Timer 1" interrupt.

Mode 3 is provided for applications that require an extra 8-bit timer. With Timer 0 in Mode 3, an P87C51Mx2 can look like it has an additional Timer.

Note: When Timer 0 is in Mode 3, Timer 1 can be turned on and off by switching it into and out of its own Mode 3. It can still be used by the serial port as a baud rate generator, or in any application not requiring an interrupt.

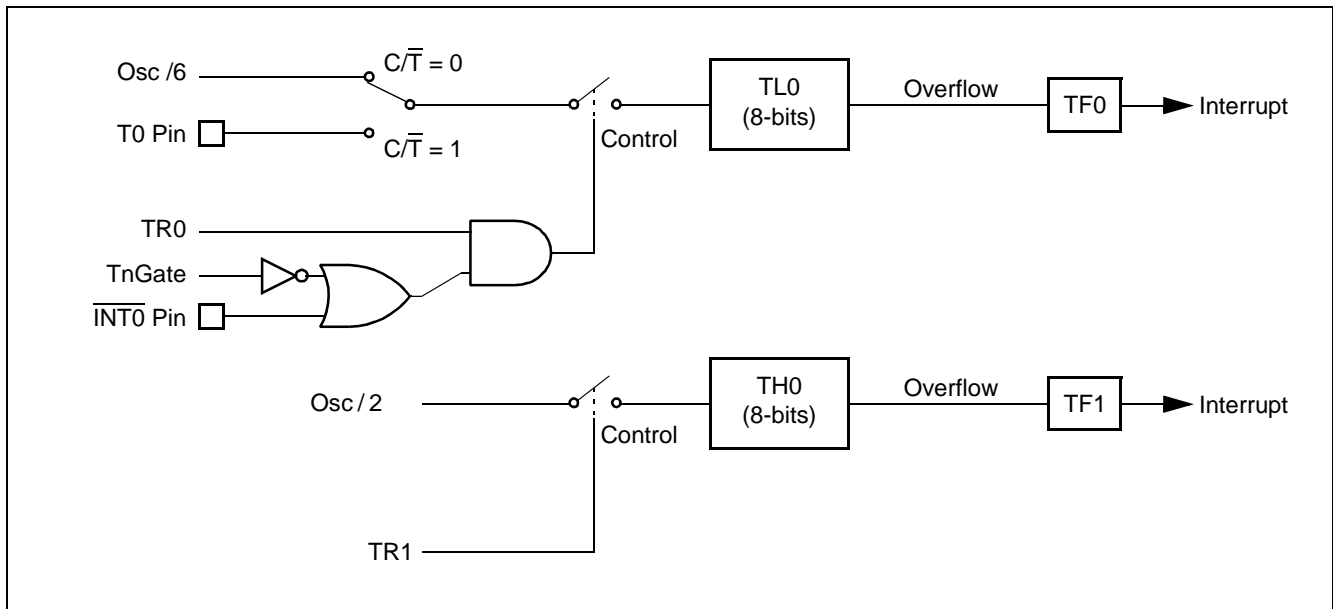


Figure 32: Timer/Counter 0 Mode 3 (Two 8-Bit Counters)

### 6.5 TIMER 2

Timer 2 is a 16-bit Timer/Counter which can operate as either an event timer or an event counter, as selected by C/T2 in the special function register T2CON. Timer 2 has four operating modes: Capture, Auto-reload (up or down counting), Clockout and Baud Rate Generator which are selected according to Table 12 using T2CON and T2MOD (figures 33 and 34).

Table 12: Timer 2 operating mode

RCLK+TCLK	CP/RL2	TR2	T2OE	MODE
0	0	1	0	16-BIT auto reload
0	1	1	0	16-bit capture
0	0	1	1	Programmable Clock-Out
1	X	1	0	Baud rate generator for UART 0
X	X	0	X	off

Extended Address Range Microcontroller

P89C669

<b>T2CON</b> Address: C8h																		
Bit addressable																		
Reset Value: 00h																		
		<table border="1" style="width: 100%; border-collapse: collapse;"> <tr> <td style="width: 12.5%; text-align: center;">7</td> <td style="width: 12.5%; text-align: center;">6</td> <td style="width: 12.5%; text-align: center;">5</td> <td style="width: 12.5%; text-align: center;">4</td> <td style="width: 12.5%; text-align: center;">3</td> <td style="width: 12.5%; text-align: center;">2</td> <td style="width: 12.5%; text-align: center;">1</td> <td style="width: 12.5%; text-align: center;">0</td> </tr> <tr> <td style="text-align: center;">TF2</td> <td style="text-align: center;">EXF2</td> <td style="text-align: center;">RCLK</td> <td style="text-align: center;">TCLK</td> <td style="text-align: center;">EXEN2</td> <td style="text-align: center;">TR2</td> <td style="text-align: center;">C/T2</td> <td style="text-align: center;">CP/RL2</td> </tr> </table>	7	6	5	4	3	2	1	0	TF2	EXF2	RCLK	TCLK	EXEN2	TR2	C/T2	CP/RL2
7	6	5	4	3	2	1	0											
TF2	EXF2	RCLK	TCLK	EXEN2	TR2	C/T2	CP/RL2											
<b>BIT</b>	<b>SYMBOL</b>	<b>FUNCTION</b>																
T2CON.7	TF2	Timer 2 overflow flag set by a Timer 2 overflow and must be cleared by software. TF2 will not be set when either RCLK or TCLK = 1 or when Timer 2 is in Clock-out Mode.																
T2CON.6	EXF2	Timer 2 external flag is set when Timer 2 is in capture, reload or baud-rate mode, EXEN2=1 and a negative transition on T2EX occurs. If Timer 2 interrupt is enabled EXF2=1 causes the CPU to vector to the Timer 2 interrupt routine. EXF2 must be cleared by software.																
T2CON.5	RCLK	Receive clock flag. When set, causes the serial port 0 (UART 0) to use Timer 2 overflow pulses for its receive clock in modes 1 and 3 (unless SBRGS - BRGCON.1 is set to '1'). RCLK = 0 causes Timer 1 overflow to be used for the receive clock. (See "UARTS").																
T2CON.4	TCLK	Transmit clock flag. When set, causes the serial port 0 (UART 0) to use Timer 2 overflow pulses for its transmit clock in modes 1 and 3 (unless SBRGS - BRGCON.1 is set to '1'). TCLK = 0 causes Timer 1 overflows to be used for the transmit clock. (See "UARTS").																
T2CON.3	EXEN2	Timer 2 external enable flag. When set, allows a capture or reload to occur as a result of a negative transition on T2EX if Timer 2 is not being used to clock the serial port. EXEN2 = 0 causes Timer 2 to ignore events at T2EX.																
T2CON.2	TR2	Start/stop control for Timer 2. A logic 1 enables the timer to run.																
T2CON.1	C/T2	Timer or counter select. (Timer 2) 0 = Internal timer ( $f_{OSC}/6$ ) 1 = External event counter (falling edge triggered; external clock's max. rate= $f_{OSC}/12$ ).																
T2CON.0	CP/RL2	Capture/Reload flag. When set, captures will occur on negative transitions at T2EX if EXEN2 = 1. When cleared, auto-reloads will occur either with Timer 2 overflows or negative transitions at T2EX when EXEN2 = 1. When either RCLK = 1 or TCLK = 1, this bit is ignored and the timer is forced to auto-reload on Timer 2 overflow.																

Figure 33: Timer/Counter 2 (T2CON) Control Register

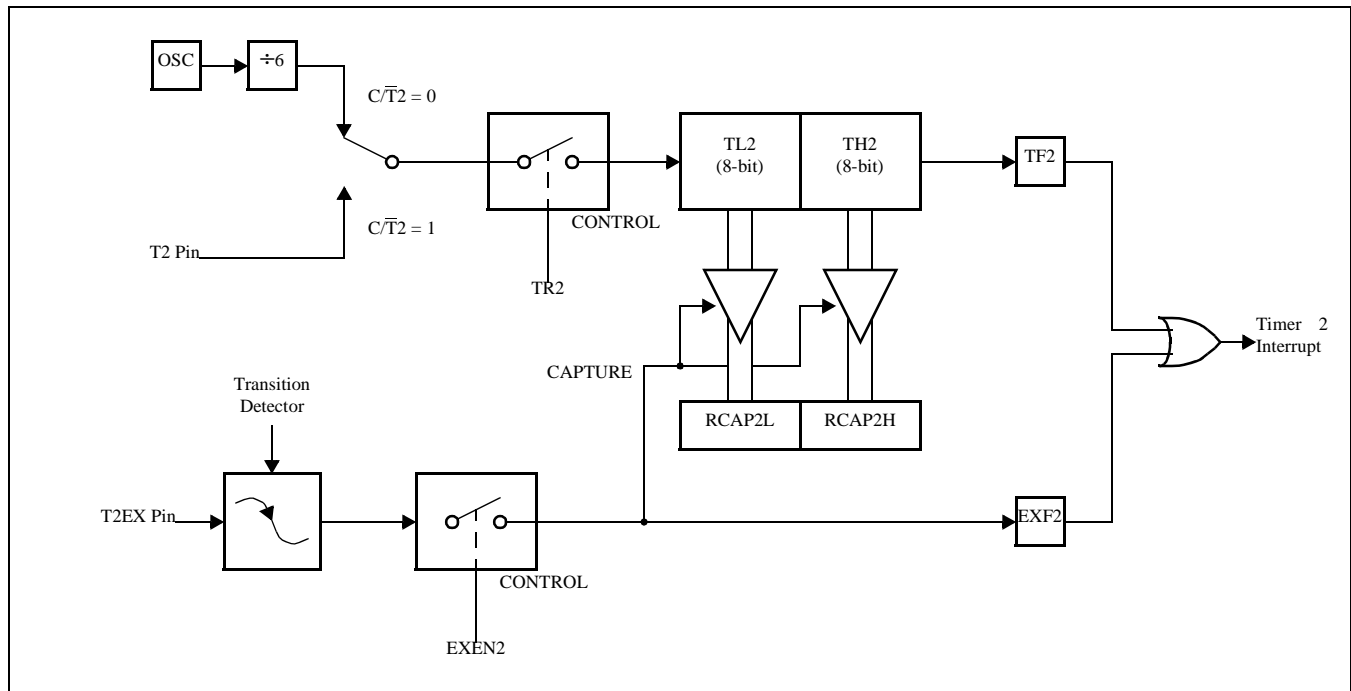
<b>T2MOD</b> Address: C9h																		
Not bit addressable																		
Reset Value: XX00000B																		
		<table border="1" style="width: 100%; border-collapse: collapse;"> <tr> <td style="width: 12.5%; text-align: center;">7</td> <td style="width: 12.5%; text-align: center;">6</td> <td style="width: 12.5%; text-align: center;">5</td> <td style="width: 12.5%; text-align: center;">4</td> <td style="width: 12.5%; text-align: center;">3</td> <td style="width: 12.5%; text-align: center;">2</td> <td style="width: 12.5%; text-align: center;">1</td> <td style="width: 12.5%; text-align: center;">0</td> </tr> <tr> <td style="text-align: center;">-</td> <td style="text-align: center;">-</td> <td style="text-align: center;">-</td> <td style="text-align: center;">-</td> <td style="text-align: center;">-</td> <td style="text-align: center;">-</td> <td style="text-align: center;">T2OE</td> <td style="text-align: center;">DCEN</td> </tr> </table>	7	6	5	4	3	2	1	0	-	-	-	-	-	-	T2OE	DCEN
7	6	5	4	3	2	1	0											
-	-	-	-	-	-	T2OE	DCEN											
<b>BIT</b>	<b>SYMBOL</b>	<b>FUNCTION</b>																
T2MOD.7-2	-	Reserved for future use. Should be set to 0 by user programs.																
T2MOD.1	T2OE	Timer 2 Output Enable bit. Used in programmable clock-out mode only.																
T2MOD.0	DCEN	Down Count Enable bit. When set, this allows timer2 to be configured as an up/down counter.																

Figure 34: Timer 2 Mode (T2MOD) Control Register

### 6.5.1 CAPTURE MODE

In the Capture Mode there are two options which are selected by bit EXEN2 in T2CON. If EXEN2=0 Timer 2 is a 16-bit timer or counter (as selected by  $C/\bar{T}2$  in T2CON) which upon overflowing sets bit TF2, the Timer 2 overflow bit.

The capture mode is illustrated in Figure 36:



**Figure 35: Timer 2 in Capture Mode**

This bit can be used to generate an interrupt (by enabling the Timer 2 interrupt bit in the IEN0 register). If EXEN2=1, Timer 2 operates as described above, but with the added feature that a 1- to -0 transition at external input T2EX causes the current value in the Timer 2 registers, TL2 and TH2, to be captured into registers RCAP2L and RCAP2H, respectively.

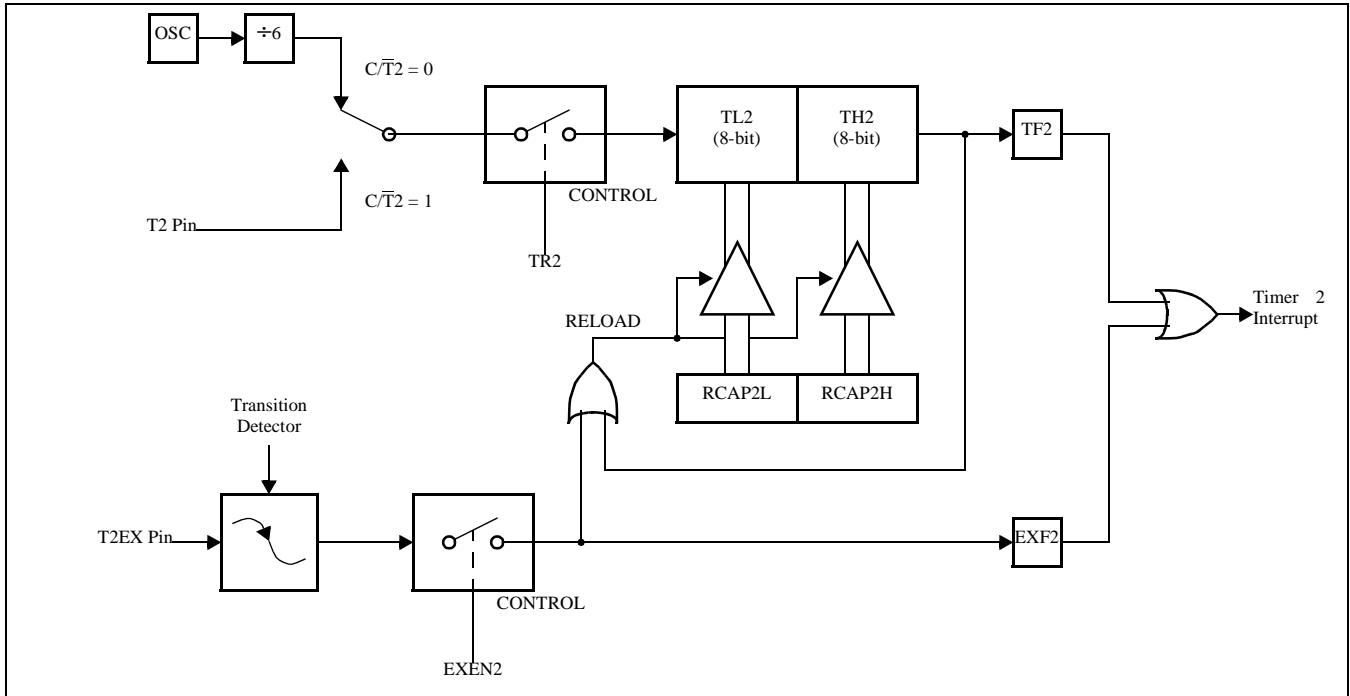
In addition, the transition at T2EX causes bit EXF2 in T2CON to be set, and EXF2 like TF2 can generate an interrupt (which vectors to the same location as Timer 2 overflow interrupt). The Timer 2 interrupt service routine can interrogate TF2 and EXF2 to determine which event caused the interrupt.

There is no reload value for TL2 and TH2 in this mode. Even when a capture event occurs from T2EX, the counter keeps on counting T2 pin transitions or  $f_{osc}/6$  pulses. Since once loaded contents of RCAP2L and RCAP2H registers are not protected, once Timer2 interrupt is signalled it has to be serviced before new capture event on T2EX pin occurs. Otherwise, the next falling edge on T2EX pin will initiate reload of the current value from TL2 and TH2 to RCAP2L and RCAP2H and consequently corrupt their content related to previously reported interrupt.

### 6.5.2 AUTO-RELOAD MODE (UP OR DOWN COUNTER)

In the 16-bit auto-reload mode, Timer 2 can be configured as either a timer or counter (via  $C/\bar{T}2$  in T2CON), then programmed to count up or down. The counting direction is determined by bit DCEN (Down Counter Enable) which is located in the T2MOD register (see Figure 34). When reset is applied, DCEN = 0 and Timer 2 will default to counting up. If the DCEN bit is set, Timer 2 can count up or down depending on the value of the T2EX pin.

Figure 36 shows Timer 2 counting up automatically (DCEN = 0).



**Figure 36: Timer 2 in Auto Reload Mode (DCEN = 0)**

In this mode, there are two options selected by bit EXEN2 in T2CON register. If EXEN2=0, then Timer 2 counts up to 0FFFFH and sets the TF2 (Overflow Flag) bit upon overflow. This causes the Timer 2 registers to be reloaded with the 16-bit value in RCAP2L and RCAP2H. The values in RCAP2L and RCAP2H are preset by software means.

Auto reload frequency when Timer 2 is counting up can be determined from this formula:

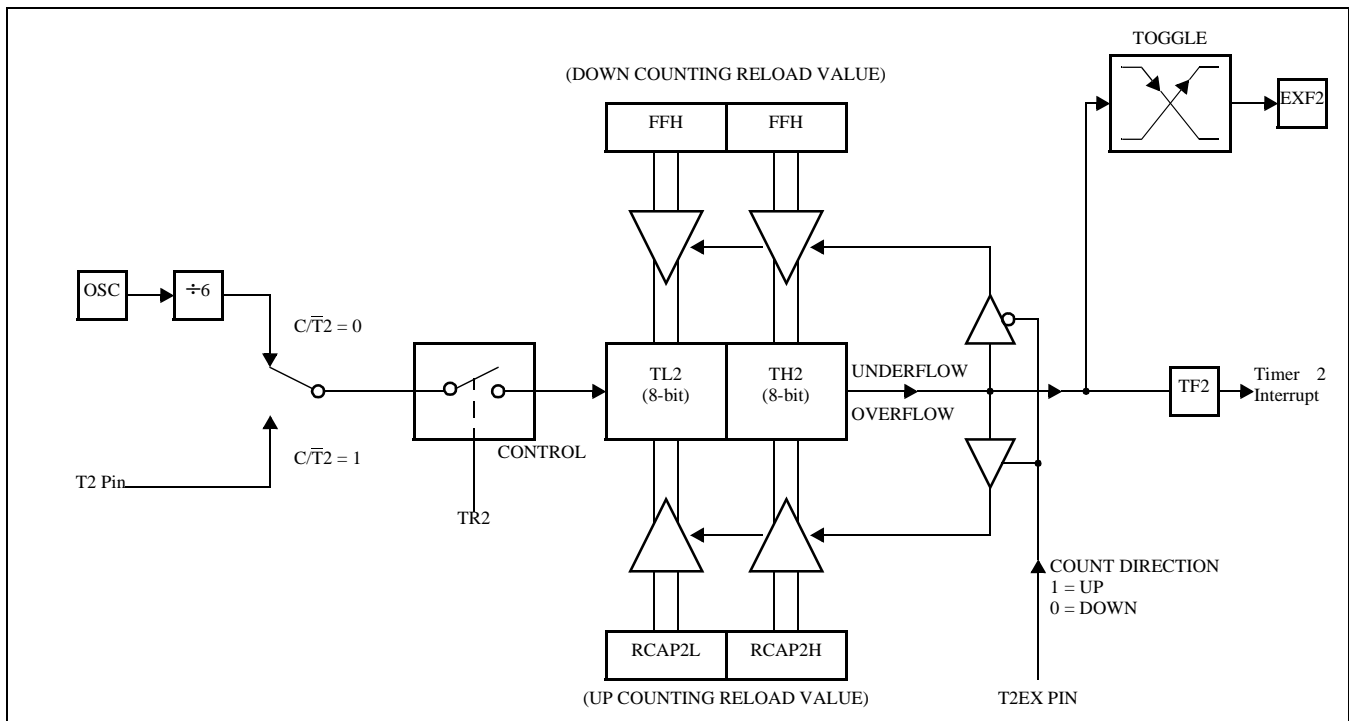
$$\frac{\text{SupplyFrequency}}{(65536 - (\text{RCAP2H}, \text{RCAP2L}))}$$

where SupplyFrequency is either  $f_{osc}/6$  ( $C/\overline{T2}=0$ ) or frequency of signal on T2 pin ( $C/\overline{T2}=1$ ).

If EXEN2 = 1, a 16-bit reload can be triggered either by an overflow or by a 1-to-0 transition at input T2EX. This transition also sets the EXF2 bit. The Timer 2 interrupt, if enabled, can be generated when either TF2 or EXF2 is 1.

Microcontroller's hardware will need three consecutive machine cycles in order to recognize falling edge on T2EX and set EXF2=1: in the first machine cycle pin T2EX has to be sampled as "1"; in the second machine cycle it has to be sampled as "0", and in the third machine cycle EXF2 will be set to 1.

In Figure 37, DCEN=1 and Timer 2 is enabled to count up or down. This mode allows pin T2EX to control the direction of count. When a logic 1 is applied at pin T2EX Timer 2 will count up. Timer 2 will overflow at 0FFFFH and set the TF2 flag, which can then generate an interrupt, if the interrupt is enabled. This timer overflow also causes the 16-bit value in RCAP2L and RCAP2H to be reloaded into the timer registers TL2 and TH2.



**Figure 37: Timer 2 in Auto Reload Mode (DCEN = 1)**

When a logic 0 is applied at pin T2EX this causes Timer 2 to count down. The timer will underflow when TL2 and TH2 become equal to the value stored in RCAP2L and RCAP2H. Timer 2 underflow sets the TF2 flag and causes 0FFFFH to be reloaded into the timer registers TL2 and TH2. The external flag EXF2 toggles when Timer 2 underflows or overflows. This EXF2 bit can be used as a 17th bit of resolution if needed.

### 6.5.3 PROGRAMMABLE CLOCK-OUT

A 50% duty cycle clock can be programmed to come out on pin T2 (P1.0). This pin, besides being a regular I/O pin, has two additional functions. It can be programmed:

1. To input the external clock for Timer/Counter 2, or;
2. To output a 50% duty cycle clock ranging from 122Hz to 8MHz at a 16MHz operating frequency.

To configure the Timer/Counter 2 as a clock generator, bit  $C/\bar{T}2$  (in T2CON) must be cleared and bit T20E in T2MOD must be set. Bit TR2 (T2CON.2) also must be set to start the timer.

The Clock-Out frequency depends on the oscillator frequency and the reload value of Timer 2 capture registers (RCAP2H, RCAP2L) as shown in this equation:

$$\frac{\text{OscillatorFrequency}}{2 \times (65536 - (\text{RCAP2H}, \text{RCAP2L}))}$$

Where (RCAP2H,RCAP2L) = the content of RCAP2H and RCAP2L taken as a 16-bit unsigned integer.

In the Clock-Out mode Timer 2 roll-overs will not generate an interrupt. This is similar to when it is used as a baud-rate generator.

### 6.5.4 BAUD RATE GENERATOR MODE FOR UART 0 (SERIAL PORT 0)

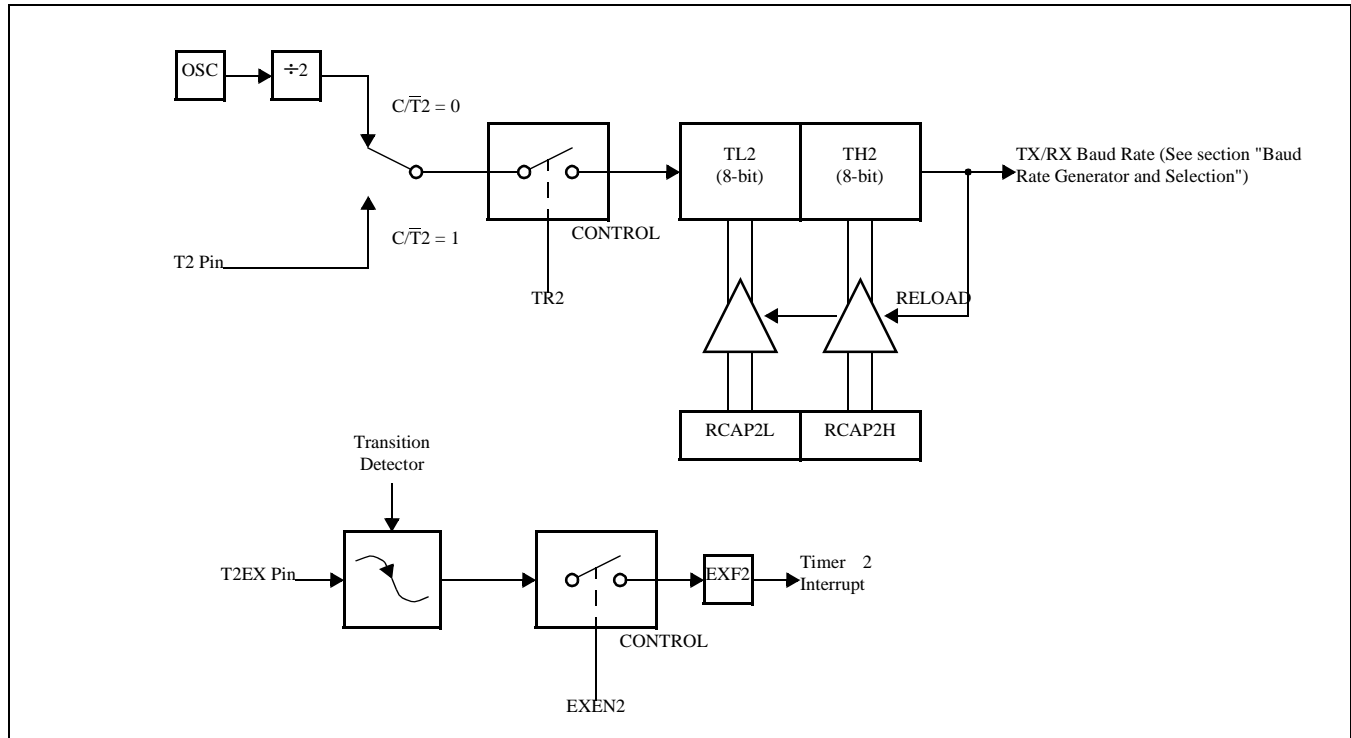
When serial port 0 (UART 0) doesn't use the independent baud rate generator (S0BRGS = 0, S0BRGS is BRGCON.1), bits TCLK and/or RCLK in T2CON allow the serial port 0 (UART 0) transmit and receive baud rates to be derived from either Timer 1 or Timer 2 (refer to the section on UARTS for details). Assume that S0BRGS = 0, when TCLK = 0, Timer 1 is used as the UART 0 transmit baud rate generator. When TCLK = 1, Timer 2 is used as the UART 0 transmit baud rate generator. RCLK has the same

## Extended Address Range Microcontroller

## P89C669

effect for the UART 0 receive baud rate. With these two bits, the serial port can have different receive and transmit baud rates – Timer 1, Timer 2 or baud rate generator.

Figure 6.6 shows Timer 2 in baud rate generator mode:



**Figure 38: Timer 2 in Baud Rate Generator Mode**

The baud rate generation mode is like the auto-reload mode, when a rollover in TH2 causes the Timer 2 registers to be reloaded with the 16-bit value in registers RCAP2H and RCAP2L, which are preset by software.

The baud rates in modes 1 and 3 are determined by Timer 2's overflow rate given below:

$$\text{Modes 1 and 3 Baud Rates} = \text{Timer 2 Overflow Rate}/16$$

The timer can be configured for either "timer" or "counter" operation. In many applications, it is configured for "timer" operation ( $C/\bar{T}2=0$ ). Timer operation is different for Timer 2 when it is being used as a baud rate generator.

Usually, as a timer it would increment every machine cycle (i.e.,  $1/6$  the oscillator frequency). As a baud rate generator, it increments at the oscillator frequency. Thus the baud rate formula is as follows:

$$\text{Modes 1 and 3 Baud Rates} = \frac{\text{Oscillator Frequency}}{(16 \times (65536 - (\text{RCAP2H}, \text{RCAP2L})))}$$

Where: (RCAP2H, RCAP2L)= The content of RCAP2H and RCAP2L taken as a 16-bit unsigned integer.

The Timer 2 as a baud rate generator mode is valid only if RCLK and/or TCLK = 1 in T2CON register. Note that a rollover in TH2 does not set TF2, and will not generate an interrupt. Thus, the Timer 2 interrupt does not have to be disabled when Timer 2 is in the baud rate generator mode. Also if the EXEN2 (T2 external enable flag) is set, a 1-to-0 transition in T2EX (Timer/counter 2 trigger input) will set EXF2 (T2 external flag) but will not cause a reload from (RCAP2H, RCAP2L) to (TH2, TL2). Therefore when Timer 2 is in use as a baud rate generator, T2EX can be used as an additional external interrupt, if needed.

When Timer 2 is in the baud rate generator mode, one should not try to read or write TH2 and TL2. Under these conditions, a read or write of TH2 or TL2 may not be accurate. The RCAP2 registers may be read, but should not be written to, because a write might overlap a reload and cause write and/or reload errors. The timer should be turned off (clear TR2) before accessing the Timer 2 or RCAP2 registers. Table 13 shows commonly used baud rates and how they can be obtained from Timer 2.

## 6.5.5 SUMMARY OF BAUD RATE EQUATIONS

Timer 2 is in baud rate generating mode. If Timer 2 is being clocked through pin T2(P1.0) the baud rate is:

$$\text{Baud Rate} = \text{Timer 2 Overflow Rate} / 16$$

If Timer 2 is being clocked internally, the baud rate is:

$$\text{Baud Rate} = f_{\text{OSC}} / (16 \times (65536 - (\text{RCAP2H}, \text{RCAP2L})))$$

Where  $f_{\text{OSC}}$  = Oscillator Frequency

To obtain the reload value for RCAP2H and RCAP2L, the above equation can be rewritten as:

$$\text{RCAP2H}, \text{RCAP2L} = 65536 - f_{\text{OSC}} / (16 \times \text{Baud Rate})$$

**Table 13: Timer 2 Generated Commonly Used Baud Rates**

Baud Rate	Osc Freq	Timer 2	
		RCAP2H	RCAP2L
750K	12MHz	FF	FF
19.2K	12MHz	FF	D9
9.6K	12MHz	FF	B2
4.8K	12MHz	FF	64
2.4K	12MHz	FE	C8
600	12MHz	FB	1E
220	12MHz	F2	AF
600	6MHz	FD	8F
220	6MHz	F9	57

## 6.6 UARTS

The P87C51Mx2 includes two enhanced UARTs with one independent Baud Rate Generator. They are compatible with the enhanced UART based on the 8xC51Rx+ except the baud rate generator. The first UART (UART 0) can select Timer 1 overflow, Timer 2 overflow or the independent Baud Rate Generator. The second UART (UART 1) uses the independent Baud Rate Generator only to generate its baud rate. Besides the baud rate generation, enhancements over the standard 80C51 UART include Framing Error detection, automatic address recognition, selectable double buffering and several interrupt options. The two UARTs are called UART 0 and 1 to correspond to the serial port assignments.

Each serial port can be operated in one of 4 modes:

### 6.6.1 MODE 0

Serial data enters and exits through RxD\_n. TxD\_n outputs the shift clock. Only 8 bits are transmitted or received, LSB first. The baud rate is fixed at 1/6 of the CPU clock frequency. UART configured to operate in this mode outputs serial clock on TxD line no matter whether it sends or receives data on RxD line.

### 6.6.2 MODE 1

10 bits are transmitted (through TxD) or received (through RxD): a start bit (logical 0), 8 data bits (LSB first), and a stop bit (logical 1). When data is received, the stop bit is stored in RB8\_0/RB8\_1 in Special Function Register S0CON/S1CON. For UART 0, the

## Extended Address Range Microcontroller

## P89C669

baud rate is variable and is determined by the Timer 1/2 (see T2CON.5-4) overflow rate or the Baud Rate Generator (described later in section on "Baud Rate Generator and Selection"). The Baud Rate Generator is the only source for baud rate for UART 1.

### 6.6.3 MODE 2

11 bits are transmitted (through TxD) or received (through RxD): start bit (logical 0), 8 data bits (LSB first), a programmable 9th data bit, and a stop bit (logical 1). When data is transmitted, the 9th data bit (TB8\_n in SnCON) can be assigned the value of 0 or (e.g. the parity bit (P, in the PSW) could be moved into TB8\_n). When data is received, the 9th data bit goes into RB8\_n in Special Function Register S0CON/S1CON, while the stop bit is ignored. For UART 0, the baud rate is programmable to either 1/16 or 1/32 of the CPU clock frequency, as determined by the SMOD1 bit in PCON. For UART 1, the baud rate is from the Baud Rate Generator.

### 6.6.4 MODE 3

11 bits are transmitted (through TxD) or received (through RxD): a start bit (logical 0), 8 data bits (LSB first), a programmable 9th data bit, and a stop bit (logical 1). In fact, Mode 3 is the same as Mode 2 in all respects except baud rate. For UART 0, the baud rate in Mode 3 is variable and is determined by the Timer 1/2 (see T2CON.5-4) overflow rate or the Baud Rate Generator (described later in section on "Baud Rate Generator and Selection"). Baud Rate Generator is the only source for baud rate for UART 1.

In all four modes, transmission is initiated by any instruction that uses S0BUF/S1BUF as a destination register. Reception is initiated in Mode 0 by the condition RI\_0/RI\_1 = 0 and REN\_0/REN\_1 = 1. In all other modes reception is initiated by the incoming start bit if REN\_0/REN\_1 = 1.

### 6.6.5 SFR AND EXTENDED SFR SPACES

The regular UART 0 SFRs and control bits are in the regular SFR space. However, extended control and UART 1 registers are in the MX extended SFR space.

Register	Description	SFR Location	MX Extended SFR Location
PCON	Power Control	87H	
T2CON	Timer2 Control	C8H	
S0CON	Serial Port 0 Control	98H	
S0BUF	Serial Port 0 Data Buffer	99H	
S0ADDR	Serial Port 0 Address	A9H	
S0ADEN	Serial Port 0 Address Enable	B9H	
S0STAT	Serial Port 0 Status		8CH
S1CON	Serial Port 1 Control		80H
S1BUF	Serial Port 1 Data Buffer		81H
S1ADDR	Serial Port 1 Address		82H
S1ADEN	Serial Port 1 Address Enable		83H
S1STAT	Serial Port 1 Status		84H
BRGR1	Baud Rate Generator Rate High Byte		87H
BRGR0	Baud Rate Generator Rate Low Byte		86H
BRGCON	Baud Rate Generator Control		85H

Table 14: SFR/Extended SFR Locations for UARTs.



### 6.6.6 BAUD RATE GENERATOR AND SELECTION

The P87C51Mx2 enhanced UARTs have one associated independent Baud Rate Generator. Baud rate generator implemented in P87C51Mx2 family of microcontrollers is the device that easily produces desired baud rate with higher resolution than it could be achieved with standard timers sourcing clocks for UARTs.

The baud rate is determined by a baud-rate preprogrammed into the BRGR1 and BRGR0 SFRs in the extended SFR space. BRGR1.7-0 and BRGR0.7-0 together form a 16-bit baud rate divisor value (BRATE15-0) that works in a similar manner as Timer 1/2. If the baud rate generator is used, Timer 1/2 can be used for other timing functions.

UART 0 can use either Timer 1/2 (see T2CON.5-4) or the baud rate generator output (as determined by BRGCON.1-0 in the extended SFR space), while UART 1 uses only the baud rate generator. Note that in UART 0, Timer 1 is further divided by 2 if the SMOD1 bit (PCON.7) is cleared. Timer 2 (for UART 0) and the independent Baud Rate Generator (for both UARTs) will be used as is, without the divided by 2 option (see Figure 42).

UART 0 can have different baud rates for transmission and reception of data. In such application, one of the clocks must be based on Timer 1 while the second clock is derived from either Timer 2 or Baud rate generator. It is not possible to have Timer 2 and Baud rate generator supplying different baud rates at the same time for UART 0 (see Table 15 and Figure 42).

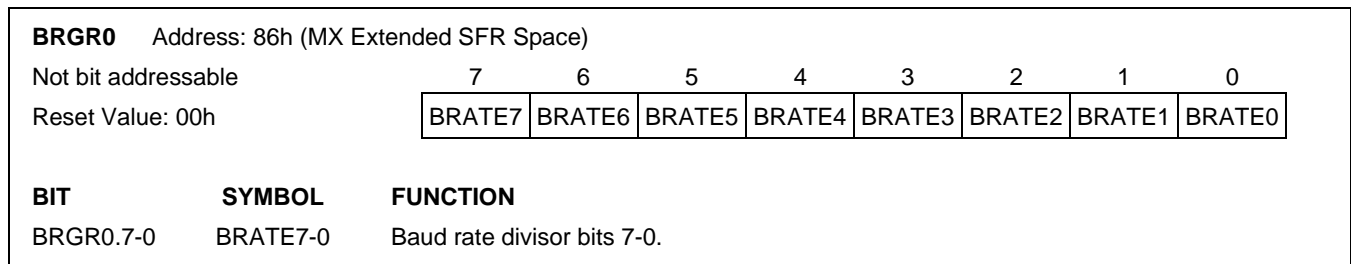


Figure 39: BRGR0 Register

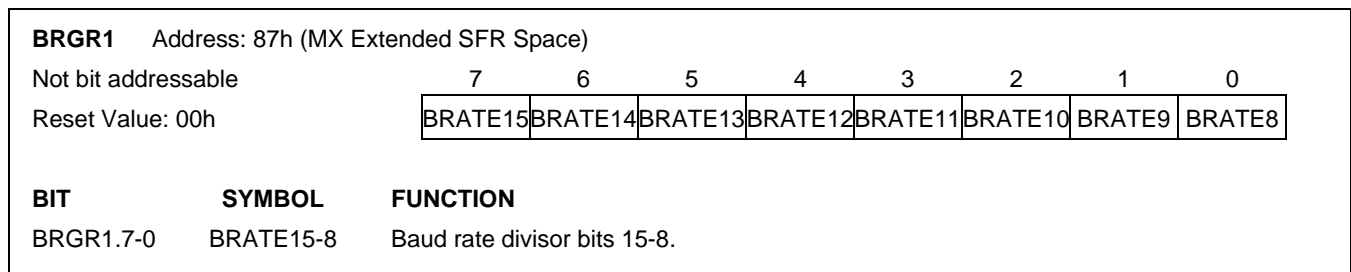


Figure 40: BRGR1 Register

**Updating the BRGR1 and BRGR0 SFRs.** The effective baud rate is a 16-bit value. The baud rate SFRs, BRGR1 and BRGR0 must only be loaded when the Baud Rate Generator is disabled (the BRGEN bit in the BRGCON register is '0'). This avoids the loading of an interim value (when only one of BRGR1 and BRGR0 is written) to the baud rate generator. **(CAUTION: If any of BRGR0 or BRGR1 is written if BRGEN = 1, result is unpredictable.)**

## Extended Address Range Microcontroller

P89C669

S0CON.7 (SM0_0)	S0CON.6 (SM1_0)	T2CON.5/4 (RCLK - Receive TCLK - Transmit)	PCON.7 (SMOD1)	BRGCON.1 (S0BRGS)	Receive/Transmit Baud Rate for UART 0	Number of data bits in transfer
0	0	X	X	X	$f_{osc}/6$	8
0	1	0	0	X	$T1\_rate/32^*$	8
		0	1	X	$T1\_rate/16^*$	
		1	X	0	$T2\_rate/16^*$	
		1	X	1	$f_{osc}/(BRATE+16)^*$	
1	0	X	0	X	$f_{osc}/32$	8+1
1	0	X	1	X	$f_{osc}/16$	
1	1	0	0	X	$T1\_rate/32^*$	8+1
		0	1	X	$T1\_rate/16^*$	
		1	X	0	$T2\_rate/16^*$	
		1	X	1	$f_{osc}/(BRATE+16)^*$	

\* Receiver and transmit clocks can be different.

**Table 15: Baud Rate Generation for UART 0. Use T2CON.5 (RCLK) in Receive Baud Rate Selection, T2CON.4 (TCLK) in Transmit Baud Rate Selection**

S1CON.7 (SM0_1)	S1CON.6 (SM1_1)	Baud Rate for UART 1	Number of data bits in transfer
0	0	$f_{osc}/6$	8
0	1	$f_{osc}/(BRATE+16)^*$	8
1	0	$f_{osc}/(BRATE+16)^*$	8+1
1	1	$f_{osc}/(BRATE+16)^*$	8+1

\*UART 1 has the same receive and transmit baud rate.

**Table 16: Baud Rate Generation for UART 1.**

Extended Address Range Microcontroller

P89C669

**BRGCON** Address: 85h (MX Extended SFR Space)

Not bit addressable

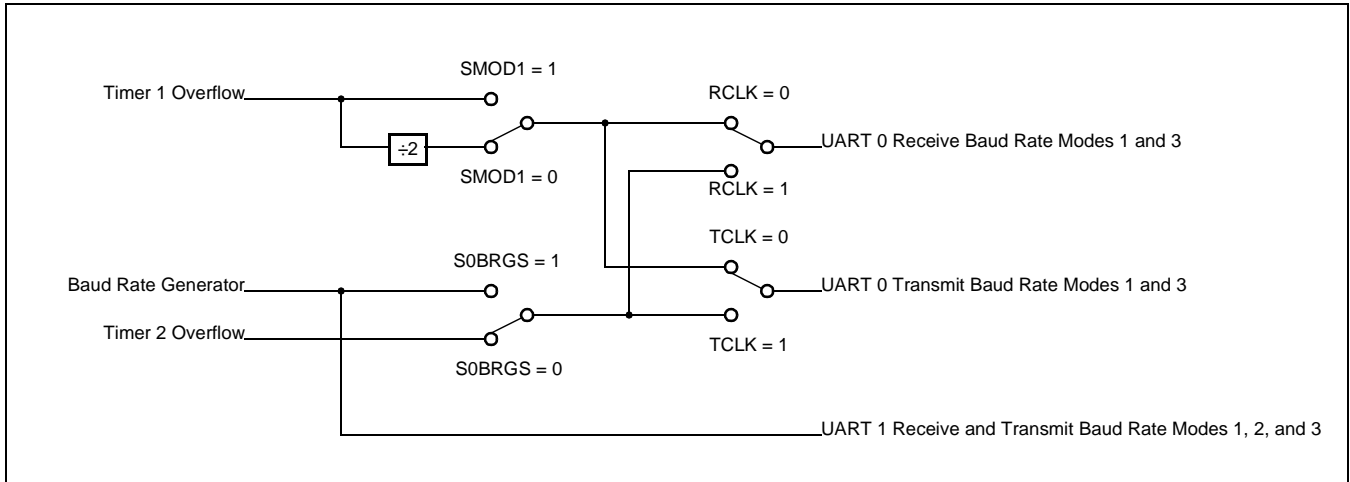
Reset Value: 00h

	7	6	5	4	3	2	1	0
	-	-	-	-	-	-	S0BRGS	BRGEN

BIT	SYMBOL	FUNCTION
BRGCON.7-2	-	Reserved for future use. Should be set to 0 by user programs.
BRGCON.1	S0BRGS	(For UART 0 only) Used in combination with the RCLK and TCLK in deciding the receive and transmit baud rates to UART 0 in modes 1 & 3 (see Table 15 for details).
BRGCON.0	BRGEN	0: Disable Baud Rate Generator; 1: Enable Baud Rate Generator. Baud rate SFRs (BRGR1 and BRGR0) can only be written when BRGEN is '0'.

**Figure 41: BRGCON Register**



**Figure 42: Baud Rate Generations for UART 0 (Modes 1, 3) and UART 1 (Modes 1, 2, 3)**

Extended Address Range Microcontroller

P89C669

**SnCON** S0CON: Address: 98h (Conventional SFR Space)  
 S1CON: Address: 80h (MX Extended SFR Space)

Bit addressable

Reset Value: 00h

7	6	5	4	3	2	1	0
SM0_n/FE_n	SM1_n	SM2_n	REN_n	TB8_n	RB8_n	TI_n	RI_n

BIT	SYMBOL	FUNCTION															
SnCON.7	SM0_n/FE_n	The usage of this bit is determined by SMOD0 in the PCON register. If SMOD0 = 0, this bit is SM0_n, which with SM1_n, defines the serial port mode. If SMOD0 = 1, this bit is FE_n (Framing Error). FE_n is set by the receiver when an invalid stop bit is detected. Once set, this bit cannot be cleared by valid frames but can only be cleared by software. (Note: It is recommended to set up UART mode bits SM0_n and SM1_n before setting SMOD0 to '1'.)															
SnCON.6	SM1_n	With SM0_n, defines the serial port mode (see table below).															
	<u>SM0_n, SM1_n</u>	<table border="1" style="width: 100%; border-collapse: collapse;"> <thead> <tr> <th style="text-align: left;"><u>UART Mode</u></th> <th style="text-align: left;"><u>UART 0 Baud Rate</u></th> <th style="text-align: left;"><u>UART 1 Baud Rate</u></th> </tr> </thead> <tbody> <tr> <td>0 0</td> <td>0: shift register CPU clock/6</td> <td>CPU clock/6</td> </tr> <tr> <td>0 1</td> <td>1: 8-bit UART Variable (see Table 15)</td> <td>Baud Rate Generator (see Table 16)</td> </tr> <tr> <td>1 0</td> <td>2: 9-bit UART CPU clock/32 or CPU clock/16</td> <td>Baud Rate Generator (see Table 16)</td> </tr> <tr> <td>1 1</td> <td>3: 9-bit UART Variable (see Table 15)</td> <td>Baud Rate Generator (see Table 16)</td> </tr> </tbody> </table>	<u>UART Mode</u>	<u>UART 0 Baud Rate</u>	<u>UART 1 Baud Rate</u>	0 0	0: shift register CPU clock/6	CPU clock/6	0 1	1: 8-bit UART Variable (see Table 15)	Baud Rate Generator (see Table 16)	1 0	2: 9-bit UART CPU clock/32 or CPU clock/16	Baud Rate Generator (see Table 16)	1 1	3: 9-bit UART Variable (see Table 15)	Baud Rate Generator (see Table 16)
<u>UART Mode</u>	<u>UART 0 Baud Rate</u>	<u>UART 1 Baud Rate</u>															
0 0	0: shift register CPU clock/6	CPU clock/6															
0 1	1: 8-bit UART Variable (see Table 15)	Baud Rate Generator (see Table 16)															
1 0	2: 9-bit UART CPU clock/32 or CPU clock/16	Baud Rate Generator (see Table 16)															
1 1	3: 9-bit UART Variable (see Table 15)	Baud Rate Generator (see Table 16)															
SnCON.5	SM2_n	Enables the multiprocessor communication feature in Modes 2 and 3. In Mode 2 or 3, if SM2_n is set to 1, then RI_n will not be activated if the received 9th data bit (RB8_n) is 0. In Mode 1, if SM2_n = 1 then RI_n will not be activated if a valid stop bit was not received. In Mode 0, SM2_n should be 0.															
SnCON.4	REN_n	Enables serial reception. Set by software to enable reception. Clear by software to disable reception.															
SnCON.3	TB8_n	The 9th data bit that will be transmitted in Modes 2 and 3. Set or clear by software as desired.															
SnCON.2	RB8_n	In Modes 2 and 3, is the 9th data bit that was received. In Mode 1, it SM2_n=0, RB8_n is the stop bit that was received. In Mode 0, RB8_n is undefined.															
SnCON.1	TI_n	Transmit interrupt flag. Set by hardware at the end of the 8th bit time in Mode 0, or at the the stop bit (see description of INTLO_n bit in SnSTAT register) in the other modes, in any serial transmission. Must be cleared by software.															
SnCON.0	RI_n	Receive interrupt flag. Set by hardware at the end of the 8th bit time in Mode 0, or approximately halfway through the stop bit time in Mode 1. For Mode 2 or Mode 3, if SMOD0 = 0, it is set near the middle of the 9th data bit (bit 8); if SMOD0 = 1, it is set nearly the middle of the stop bit. (See SM2_n for exceptions). Must be cleared by software.															

Figure 43: Serial Port Control Register (SnCON)

**6.6.7 FRAMING ERROR**

Framing error (FE\_n) is reported in the status register (SnSTAT). In addition, if SMOD0 (PCON.6) is 1, framing errors for UARTs 0 and 1 can be made available to the S0CON.7 and S1CON.7 respectively. If SMOD0 is 0, S0CON.7 and S1CON.7 are SM0 for UARTs 0 and 1 respectively. It is recommended that SM0\_n and SM1\_n (SnCON.7-6) are set up before SMOD0 is set to '1'.

It should also be noted that a break detect (setting of BR\_n) also sets FE\_n.

### 6.6.8 STATUS REGISTER

Each of the enhanced UARTs contains a status register. The status register also contains some control bits:

- **DBMOD<sub>n</sub>** (n = 0, 1) - The enhanced UART includes double buffering. In order to be compatible with existing 80C51 devices, this bit is reset to '0' to disable double buffering.
- **INTLO<sub>n</sub>** - For modes 1, 2 and 3, the UART allows Tx interrupt to occur at the beginning or at the end of the STOP bit. This bit is reset to '0' to select Tx interrupt to be issued at the beginning of the STOP bit. Note that in the case of single buffering, if Tx interrupt occurs at the end of a STOP bit, a gap may exist before the next start bit. For UART mode 0, this bit must be cleared to '0'.
- **CIDIS<sub>n</sub>** (n = 0, 1) - The UART can issue combined Tx/Rx interrupt (conventional 80C51 UART) or have separate Tx and Rx interrupts. This bit is reset to '0' to select combined interrupt.
- **DBISEL<sub>n</sub>** (n = 0, 1) - This bit is used only when the corresponding DBMOD<sub>n</sub> = 1. If DBMOD<sub>n</sub> = 0, this bit must be cleared to '0' for future compatibility. This bit controls the number of interrupts that can occur when double buffering is enabled. If '0', the number of Tx interrupts must be the same as the number of characters sent. If '1', an additional interrupt is sent at the beginning (INTLO<sub>n</sub> = 0) or the end (INTLO<sub>n</sub> = 1) of the STOP bit when there is no more data in the double buffer. This last interrupt can be used to indicate that all transmit operations are over.
- **STINT<sub>n</sub>** (n = 0,1) - If '1', FE<sub>n</sub>, BR<sub>n</sub> and OE<sub>n</sub> can cause interrupt (refer to Figure 44).

Bits DBMOD<sub>n</sub> and DBISEL<sub>n</sub> are discussed further in section "Double Buffering". INTLO<sub>n</sub> behaves in the same manner regardless of single or double buffering, but the first interrupt occurs differently. This topic is also covered in section "Double Buffering". CIDIS<sub>n</sub> is not related to double buffering.

## Extended Address Range Microcontroller

P89C669

<b>SnSTAT</b> S0STAT: Address: 8Ch (MX Extended SFR Space)									
S1STAT: Address: 84h (MX Extended SFR Space)									
Not bit addressable		7	6	5	4	3	2	1	0
Reset Value: 00h		DBMOD_n	INTLO_n	CIDIS_n	DBISEL_n	FE_n	BR_n	OE_n	STINT_n
<b>BIT</b>	<b>SYMBOL</b>	<b>FUNCTION</b>							
SnSTAT.7	DBMOD_n	0: Double buffering disabled; 1: Double buffering enabled.							
SnSTAT.6	INTLO_n	Transmit interrupt position for UART mode 1, 2 or 3. 0: Tx interrupt is issued at the beginning of stop bit; 1: Tx interrupt is issued at end of stop bit. Must be '0' for mode 0.							
SnSTAT.5	CIDIS_n	0: Combined Tx/Rx interrupt for Serial Port n; 1: Rx and Tx interrupts are separate.							
SnSTAT.4	DBISEL_n	Double buffering transmit interrupt select - used only if double buffering is enabled (DBMOD_n set to '1'), must be '0' when double buffering is disabled:  0: There is only one transmit interrupt generated per character written to SnBUF. 1: One transmit interrupt is generated after each character written to SnBUF, and there is also one more transmit interrupt generated at the STOP bit of the last character sent (i.e., no more data in the buffer).  Note that except for the first character written (when buffer is empty), the location of the transmit interrupt is determined by INTLO_n. When the first character is written, the transmit interrupt is generated immediately after the SnBUF is written.							
SnSTAT.3	FE_n	Framing Error flag is set when the receiver fails to see a valid STOP bit at the end of the frame. It is also set with BR_n if a break is detected. Must be cleared by software.							
SnSTAT.2	BR_n	Break Detect flag is set if a character is received with all bits (including STOP bit) being logic '0'. Thus it gives a "Start of Break Detect" on bit 8 for Mode 1 and bit 9 for Modes 2 and 3. The break detect feature operates independently of the UARTs and provides the START of Break Detect status bit that a user program may poll. Cleared by software.							
SnSTAT.1	OE_n	Overrun Error flag is set if a new character is received in the receiver buffer while it is still full, i.e., when bit 8 of a new byte is received while RI in SnCON is still set. If an overrun occurs, SnBUF retains the old data and the new character received is lost. Cleared by software.							
SnSTAT.0	STINT_n	Status Interrupt Enable:  0: FE_n, BR_n, OE_n cannot cause any interrupt. 1: FE_n, BR_n, OE_n can cause interrupt. The interrupt used is shared with RI_n (CIDIS_n = 1) or combined TI_n/RI_n (CIDIS_n = 0).							

Figure 44: Serial Port Status Register (SnSTAT)

## 6.6.9 MORE ABOUT UART MODE 1

Reception is initiated by a detected 1-to-0 transition at RxD. For this purpose RxD is sampled at a rate of 16 times whatever baud rate has been established. When a transition is detected, the divide-by-16 counter is immediately reset to align its rollovers with the boundaries of the incoming bit times.

The 16 states of the counter divide each bit time into 16ths. At the 7th, 8th, and 9th counter states of each bit time, the bit detector samples the value of RxD. The value accepted is the value that was seen in at least 2 of the 3 samples. This is done for noise rejection. If the value accepted during the first bit time is not 0, the receive circuits are reset and the unit goes back to looking for another 1-to-0 transition. This is to provide rejection of false start bits. If the start bit proves valid, it is shifted into the input shift register, and reception of the rest of the frame will proceed.

The signal to load SBUF and RB8 (RB8\_0 for UART 0 or RB8\_1 for UART 1), and to set RI (RI\_0 for UART 0 or RI\_1 for UART 1), will be generated if, and only if, the following conditions are met at the time the final shift pulse is generated: (a) RI = 0, and (b) Either SM2 (SM2\_0 for UART 0 or SM2\_1 for UART 1) = 0, or the received stop bit = 1.

If either of these two conditions is not met, the received frame is irretrievably lost. If both conditions are met, the stop bit goes into RB8, the 8 data bits go into SBUF, and RI is activated.

### 6.6.10 MORE ABOUT UART MODES 2 AND 3

Reception is performed in the same manner as in mode 1.

The signal to load SBUF and RB8, and to set RI, will be generated if, and only if, the following conditions are met at the time the final shift pulse is generated: (a) RI = 0, and (b) Either SM2 = 0, or the received 9th data bit = 1.

If either of these conditions is not met, the received frame is irretrievably lost, and RI is not set. If both conditions are met, the received 9th data bit goes into RB8, and the first 8 data bits go into SBUF.

### 6.6.11 EXAMPLES OF UART DATA TRANSFER USING DIFFERENT MODES

Figures 45 to 47 show how single byte is transmitted over UART depending on the chosen mode

Double buffering was not used in modes 1, 2 and 3.

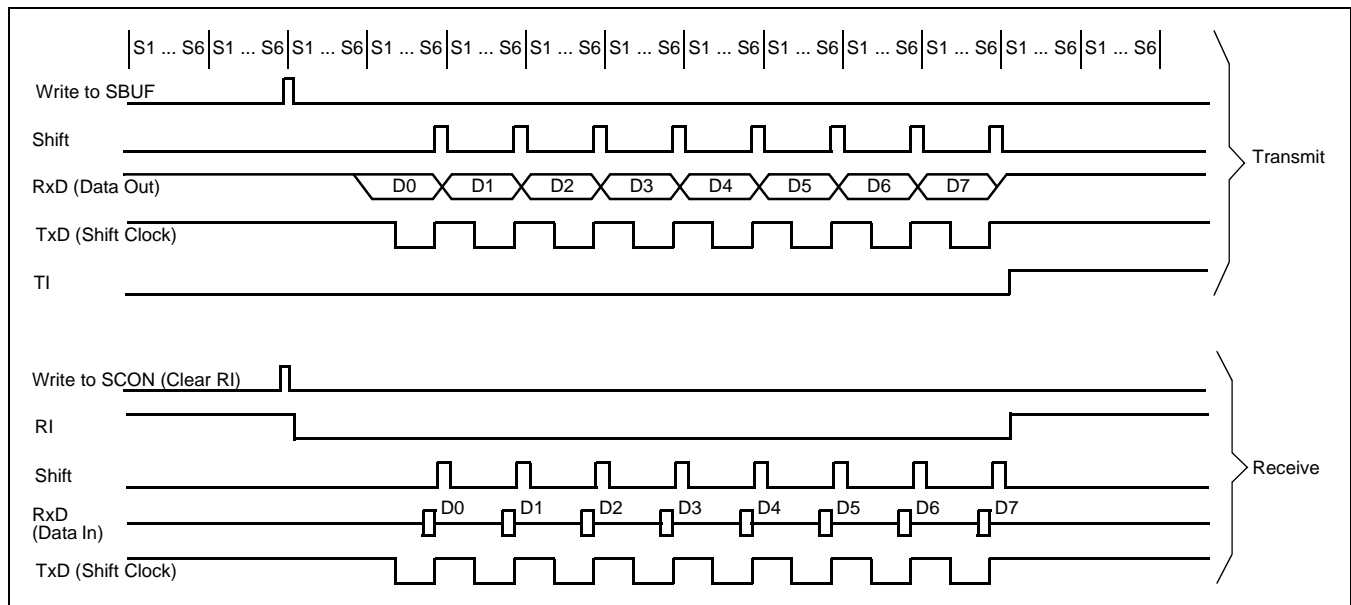


Figure 45: Serial Port Mode 0 (Only Single Transmit Buffering Case Is Shown)

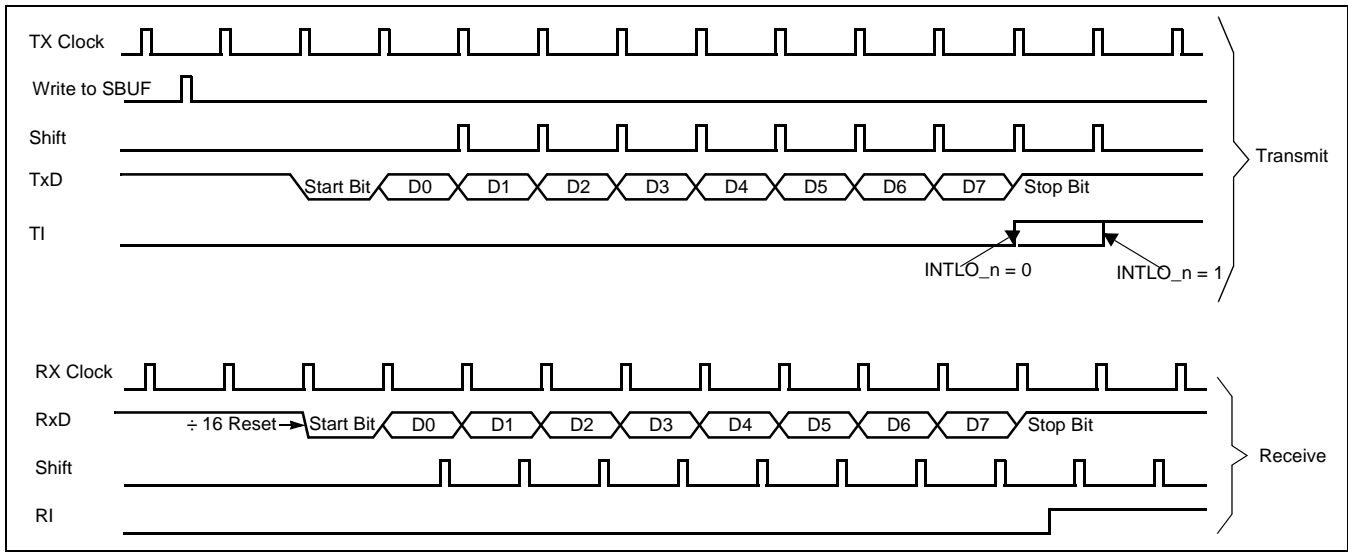


Figure 46: Serial Port Mode 1 (Only Single Transmit Buffering Case Is Shown)

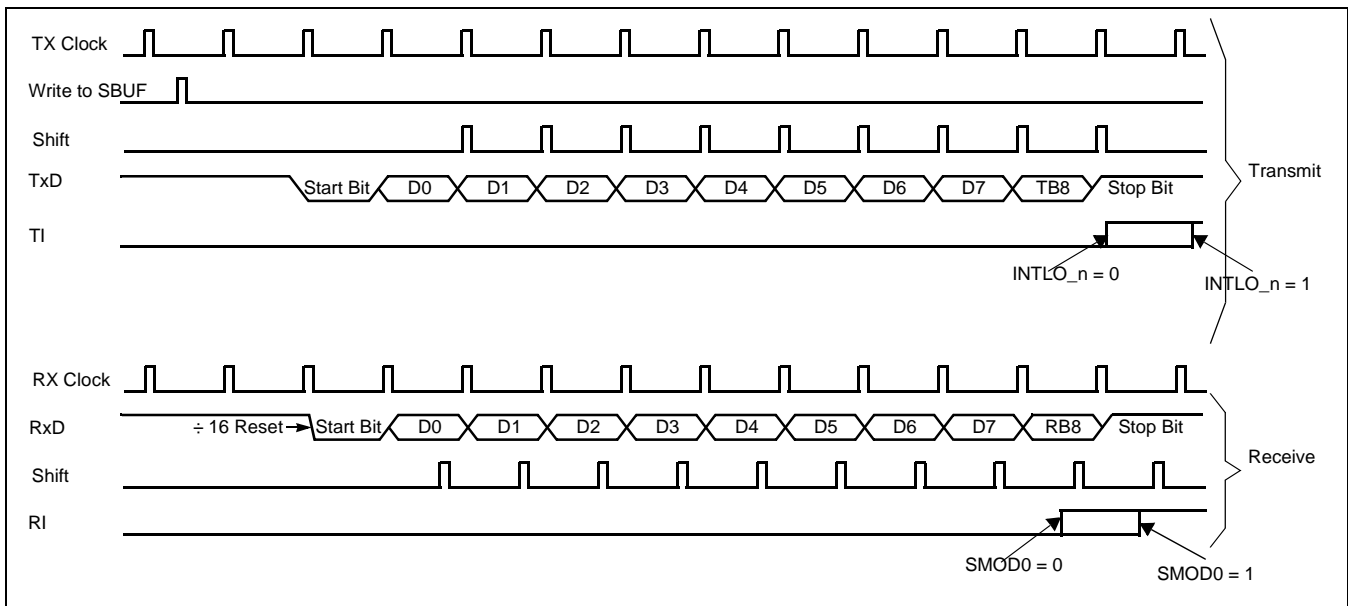


Figure 47: Serial Port Mode 2 or 3 (Only Single Transmit Buffering Case Is Shown)

### 6.6.12 DOUBLE BUFFERING

When double buffering is enabled, UART temporarily stores in the buffer register the latest data written to SnBUF, while the current character is still being shifted out of the transmit shift register. The advantage of double buffering is utilized in applications where string of characters with only a single Stop Bit between them is about to be transmitted. In order to accomplish this original 80C51 UART would load the next character while the Stop Bit of the previous character was being sent.

Double buffering allows the next character to be loaded at any time from the beginning of the Start bit to the end of the Stop Bit of the previous character (i.e. anytime while the previous data is being shifted out).

Double buffering is enabled by setting the DBMOD\_n (SnSTAT.7) SFR bit to '1'. If double buffering is disabled (DBMOD\_n = 0), the P87C51Mx2's UART is fully compatible with the conventional 80C51 UART.



### 6.6.13 TRANSMIT INTERRUPTS WITH DOUBLE BUFFERING

Without double buffering the transmit interrupt can be selected to occur at either the beginning or the end of the Stop Bit. The purpose of the interrupt is to let the user program know when the UART can accept another character. As a result, the timing of the interrupt has been changed when double buffering is enabled.

When double buffering is enabled, an interrupt is generated each time data is transferred from the buffer register to the transmit shift register. Thus if the UART transmitter is idle (transmit shift register is empty), an interrupt will be generated as soon as the buffer register is loaded since this data will immediately be transferred into the transmit shift register. If the UART is transmitting a character when the buffer register is loaded, an interrupt will not occur until the beginning/end of the Stop Bit of the currently sent character (specified by INTLO\_n bit in SnSTAT).

Note that if the buffer is loaded anytime before the end of the Stop Bit, characters will be transmitted without extra Stop Bit time. Also if a character is loaded into the buffer during the stop bit, the interrupt will occur when the buffer is loaded.

If DBISEL\_n = 0, an interrupt occurs only when data is transferred from the buffer register to the transmit shift register: This way each character generates a single interrupt. UART's behavior is identical if DBISEL\_n = 1, as long as the stop bit in the transmit shift register and empty buffer register situation is not reached (i.e. the buffer register must be continuously filled to avoid this).

If DBISEL\_n = 1 and INTLO\_n = 1, an interrupt will occur at the end of the Stop Bit of the last character sent from the serial shift register if the buffer register is empty. If DBISEL\_n = 1 and INTLO\_n = 0, an interrupt will be generated at the beginning of the Stop Bit of the last character sent from the serial shift register if the transmit buffer register is empty.

Note that in this case if the transmit buffer is loaded before the end of the stop bit another interrupt will be generated and the UART will transmit this new character without lengthening the Stop Bit.

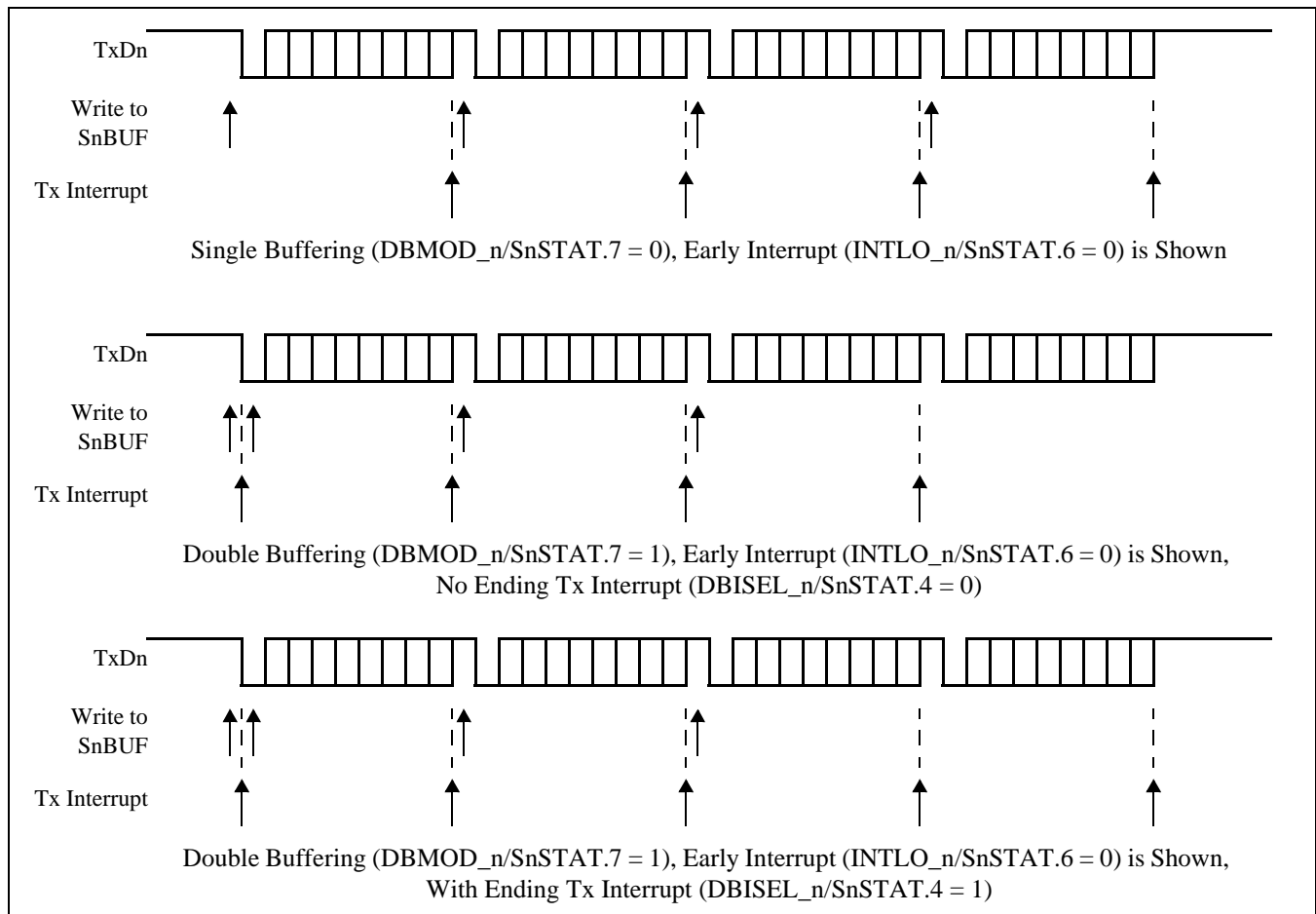


Figure 48: Transmission with and without Double Buffering (8-Bit Case)

### 6.6.14 THE 9TH BIT (BIT 8) IN DOUBLE BUFFERING

If double buffering is disabled and 9 bit of data are to be transmitted, bit TB8\_n MUST be loaded before write access to SnBUF is performed, since write to SnBUF results in loading of all 9 transfer data bits into UART's shift register.

If double buffering is enabled, TB8\_n MUST be updated before SnBUF is written, as TB8\_n will be double-buffered together with SnBUF data. The operation described in the section "Transmit Interrupts with Double Buffering" becomes as follows:

1. The double buffer is empty initially.
2. The CPU writes to TB8.
3. The CPU writes to SnBUF.
4. The SnBUF/TB8 data is loaded to the shift register and a Tx interrupt is generated immediately.
5. If there is more data, go to 7, else continue on 6.
6. If there is no more data, then:
  - If DBISEL\_n is '0', no more interrupt will occur.
  - If DBISEL\_n is '1' and INTLO\_n is '0', a Tx interrupt will occur at the beginning of the STOP bit of the data currently in the shift register (which is also the last data).
  - If DBISEL\_n is '1' and INTLO\_n is '1' (UART mode 1, 2 or 3), a Tx interrupt will occur at the end of the STOP bit of the data currently in the shift register (which is also the last data).
7. If there is more data, the CPU writes to TB8 again.
8. The CPU writes to SnBUF again. Then:
  - If INTLO\_n is '0', the new data will be loaded and a Tx interrupt will occur at the beginning of the STOP bit of the data currently in the shift register.
  - If INTLO\_n is '1' (UART mode 1, 2 or 3 only), the new data will be loaded and a Tx interrupt will occur at the end of the STOP bit of the data currently in the shift register.

Go to 4.

Note that if DBISEL\_n is '1' and when the CPU is writing to SnBUF about the same time the STOP bit of the last data is shifted out, there can be an uncertainty of whether a Tx interrupt is generated already with the UART not knowing whether there is any more data following.

### 6.6.15 MULTIPROCESSOR COMMUNICATIONS

UART modes 2 and 3 have a special provision for multiprocessor communications. In these modes, 9 data bits are received or transmitted. When data is received, the 9th bit is stored in RB8\_n. The UART can be programmed so that when the stop bit is received, the serial port interrupt will be activated only if RB8\_n = 1. This feature is enabled by setting bit SM2\_n in SnCON. One way to use this feature in multiprocessor systems is as follows:

When the master processor wants to transmit a block of data to one of several slaves, it first sends out an address byte which identifies the target slave. An address byte differs from a data byte in a way that the 9<sup>th</sup> bit is 1 in an address byte and 0 in the data byte. With SM2\_n = 1, no slave will be interrupted by a data byte, i.e. the received 9<sup>th</sup> bit is 0. However, an address byte having the 9<sup>th</sup> bit set to 1 will interrupt all slaves, so that each slave can examine the received byte and see if it is being addressed or not. The addressed slave will clear its SM2\_n bit and prepare to receive the data (still 9 bits long) that follow. The slaves that weren't being addressed leave their SM2\_n bits set and go on about their business, ignoring the subsequent data bytes.

SM2\_n has no effect in Mode 0, and in Mode 1 can be used to check the validity of the stop bit, although this is better done with the Framing Error flag. When UART receives data in mode 1 and SM2\_n = 1, the receive interrupt will not be activated unless a valid stop bit is received.

### 6.6.16 AUTOMATIC ADDRESS RECOGNITION

Automatic Address Recognition is a feature which allows the UART to recognize certain addresses in the serial bit stream by using hardware to make the comparisons. This feature saves a great deal of software overhead by eliminating the need for the software to examine every serial address which passes by the serial port. This feature is enabled for UARTn by setting the SM2\_n bit in SnCON. In the 9 bit UART modes, mode 2 and mode 3, the Receive Interrupt flag (RI\_n) will be automatically set when the received byte contains either the "Given" address or the "Broadcast" address. The 9 bit mode requires that the 9th information bit is a 1 to indicate that the received information is an address and not data.

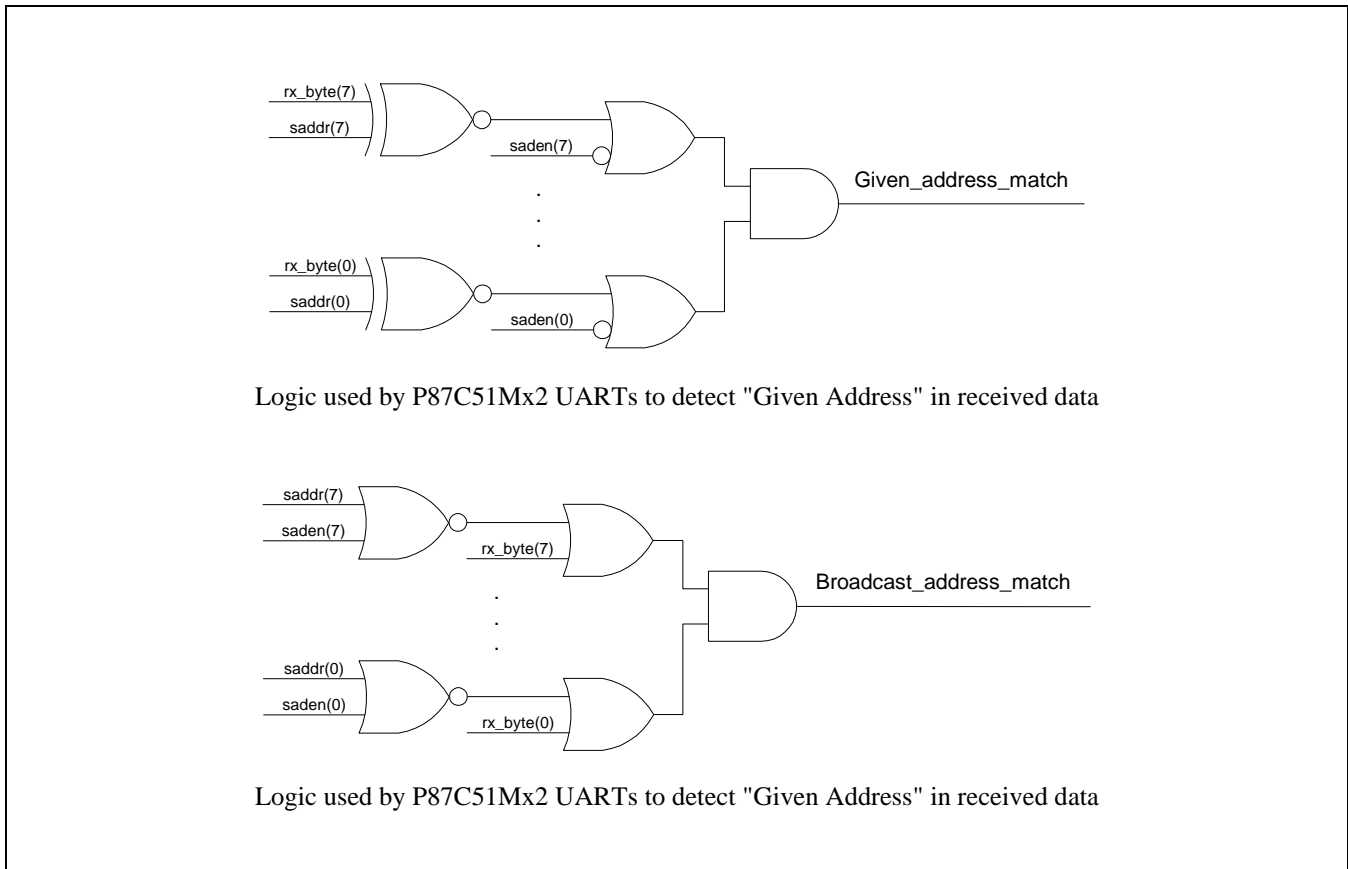
Using the Automatic Address Recognition feature allows a master to selectively communicate with one or more slaves by invoking the Given slave address or addresses. All of the slaves may be contacted by using the Broadcast address. Two Special

## Extended Address Range Microcontroller

P89C669

Function Registers are used to define the slave's address, SADDR, and the address mask, SADEN. SADEN is used to define which bits in the SADDR are to be used and which bits are "don't care". The SADEN mask can be logically ANDed with the SADDR to create the "Given" address which the master will use for addressing each of the slaves. Use of the Given address allows multiple slaves to be recognized while excluding others.

MX2 part uses schemes presented in Figure 49 to determine if an "Given" or "Broadcast" address has been received or not.



**Figure 49: Schemes used by P87C51Mx2 UARTs to detect "Given" and "Broadcast" addresses when multiprocessor communications is enabled**

The following examples will help to show the versatility of this scheme:

Slave 0 SADDR = 1100 0000  
 SADEN = 1111 1101  
 Given = 1100 00X0

Slave 1 SADDR = 1100 0000  
 SADEN = 1111 1110  
 Given = 1100 000X

In the above example SADDR is the same and the SADEN data is used to differentiate between the two slaves. Slave 0 requires a 0 in bit 0 and it ignores bit 1. Slave 1 requires a 0 in bit 1 and bit 0 is ignored. A unique address for Slave 0 would be 1100 0010 since slave 1 requires a 0 in bit 1. A unique address for slave 1 would be 1100 0001 since a 1 in bit 0 will exclude slave 0. Both slaves can be selected at the same time by an address which has bit 0 = 0 (for slave 0) and bit 1 = 0 (for slave 1). Thus, both could be addressed with 1100 0000.

## Extended Address Range Microcontroller

P89C669

In a more complex system the following could be used to select slaves 1 and 2 while excluding slave 0:

Slave 0 SADDR = 1110 0000  
 SADEN = 1111 1001  
 Given = 1110 0XX0

Slave 1 SADDR = 1110 0000  
 SADEN = 1111 1010  
 Given = 1110 0X0X

Slave 2 SADDR = 1110 0000  
 SADEN = 1111 1100  
 Given = 1110 00XX

In the above example the differentiation among the 3 slaves is in the lower 3 address bits. Slave 0 requires that bit 0 = 0 and it can be uniquely addressed by 1110 0110. Slave 1 requires that bit 1 = 0 and it can be uniquely addressed by 1110 0101. Slave 2 requires that bit 2 = 0 and its unique address is 1110 0011. To select Slaves 0 and 1 and exclude Slave 2 use address 1110 0100, since it is necessary to make bit 2 = 1 to exclude slave 2. The Broadcast Address for each slave is created by taking the logical OR of SADDR and SADEN. Zeros in this result are treated as don't-cares. In most cases, interpreting the don't-cares as ones, the broadcast address will be FF hexadecimal. Upon reset SADDR and SADEN are loaded with 0s. This produces a given address of all "don't cares" as well as a Broadcast address of all "don't cares". This effectively disables the Automatic Addressing mode and allows the microcontroller to use standard UART drivers which do not make use of this feature.

## 6.7 I<sup>2</sup>C SERIAL INTERFACE

I<sup>2</sup>C bus uses two wires (SDA and SCL) to transfer information between devices connected to the bus, and it has the following features:

- Bidirectional data transfer between masters and slaves
- Multimaster bus (no central master)
- Arbitration between simultaneously transmitting masters without corruption of serial data on the bus
- Serial clock synchronization allows devices with different bit rates to communicate via one serial bus
- Serial clock synchronization can be used as a handshake mechanism to suspend and resume serial transfer
- The I<sup>2</sup>C bus may be used for test and diagnostic purposes

A typical I<sup>2</sup>C bus configuration is shown in Figure 50. Depending on the state of the direction bit (R/W), two types of data transfers are possible on the I<sup>2</sup>C bus:

- Data transfer from a master transmitter to a slave receiver. The first byte transmitted by the master is the slave address. Next follows a number of data bytes. The slave returns an acknowledge bit after each received byte.
- Data transfer from a slave transmitter to a master receiver. The first byte (the slave address) is transmitted by the master. The slave then returns an acknowledge bit. Next follows the data bytes transmitted by the slave to the master. The master returns an acknowledge bit after all received bytes other than the last byte. At the end of the last received byte, a "not acknowledge" is returned. The master device generates all of the serial clock pulses and the START and STOP conditions. A transfer is ended with a STOP condition or with a repeated START condition. Since a repeated START condition is also the beginning of the next serial transfer, the I<sup>2</sup>C bus will not be released.

This device provides a byte oriented I<sup>2</sup>C interface. It has four operation modes: master transmitter mode, master receiver mode, slave transmitter mode and slave receiver mode, the detail will be discussed in the following.

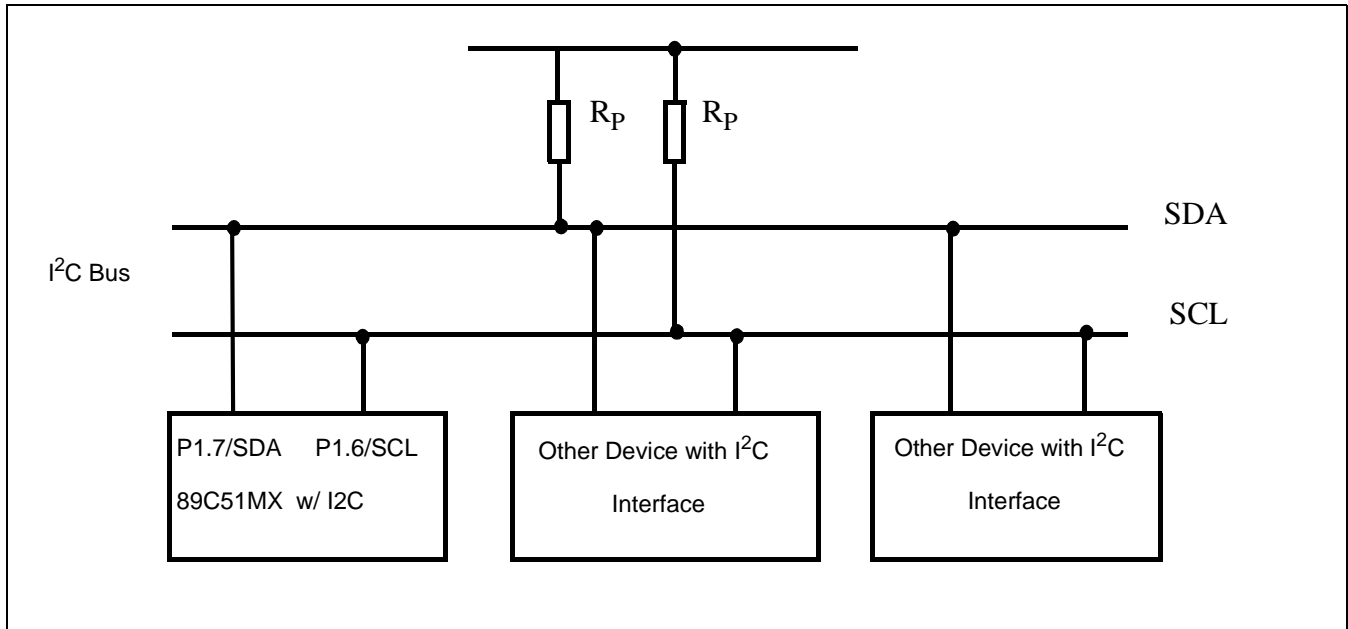


Figure 50: I<sup>2</sup>C bus configuration

The CPU interfaces with I<sup>2</sup>C bus through six Special Function Registers (SFRs): I2CON (I<sup>2</sup>C Control Register), I2DAT (I<sup>2</sup>C Data Register), I2STAT (I<sup>2</sup>C Status Register), I2ADR (I<sup>2</sup>C Slave Address Register), I2SCLH (SCL Duty Cycle Register High Byte), and I2SCLL (SCL Duty Cycle Register Low Byte).

### 6.7.1 I<sup>2</sup>C DATA REGISTER

The I2DAT register contains the data to be transmitted or the data just been received. The CPU can read and write to this 8-bit register while it is not in the process of shifting a byte. That means you can only access this register when SI bit is set. Data in I2DAT remains stable as long as SI bit is set. Data in I2DAT is always shifted from right to left: the first bit to be transmitted is the MSB (bit 7), and after a byte has been received, the first bit of received data is located at the MSB of I2DAT

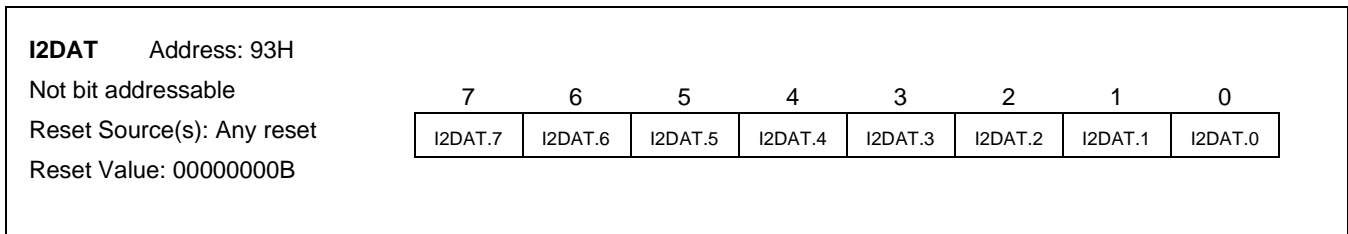


Figure 51: I<sup>2</sup>C Data Register

### 6.7.2 I<sup>2</sup>C SLAVE ADDRESS REGISTER

I2ADR register is readable and writable, and is only used when the I<sup>2</sup>C is set to slave mode. In master mode, this register has no effect. The LSB of I2ADR is general call bit. When this bit is set, the general call address (00h) is recognized.

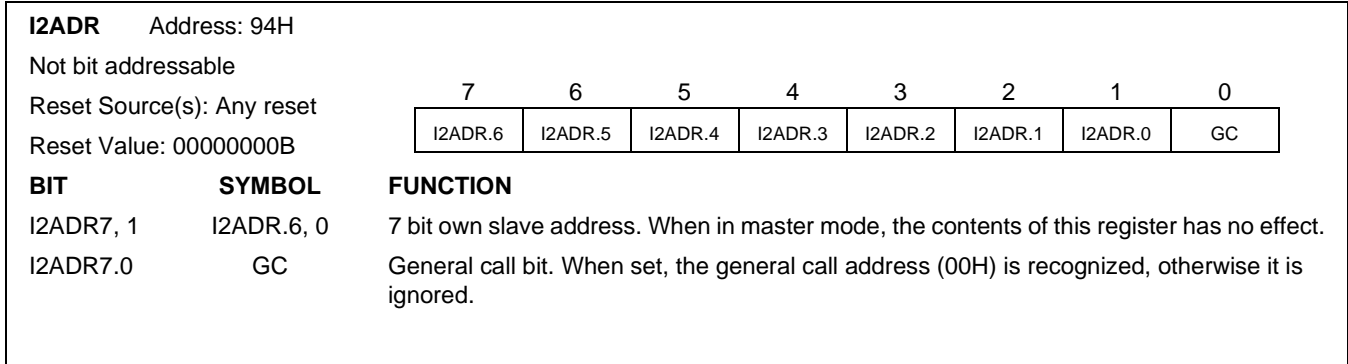


Figure 52: I<sup>2</sup>C Slave Address Register

### 6.7.3 I<sup>2</sup>C CONTROL REGISTER

The CPU can read and write this register. There are two bits affected by hardware: SI bit and STO bit. SI bit is set by hardware and STO bit is cleared by hardware.

CRSEL determines the SCL frequency when the I<sup>2</sup>C is in master mode, in slave mode this bit is ignored and will automatically synchronize with any clock frequency up to 400kHz from master I<sup>2</sup>C device. When CRSEL = 1, I<sup>2</sup>C uses Timer1 overflow rate divided by 2 for I<sup>2</sup>C clock rate. Timer 1 is in 8 bit auto-reload mode (Mode 2).

$$\text{Data rate of I}^2\text{C} = \text{Timer overflow rate} / 2 = f_{\text{osc}} / (8 * (256 - \text{reload value})),$$

If  $f_{\text{osc}} = 12\text{MHz}$ , reload value is 0 - 255, so I<sup>2</sup>C data rate range is 5.86 - 1500kbits/sec. (Note: To run the I<sup>2</sup>C at a rate not to exceed 1Mbits/sec, at  $f_{\text{osc}} = 12\text{MHz}$ , the smallest reload value is 254, which will result in a data rate of 750Kbits/sec.)

When CRSEL = 0, I<sup>2</sup>C uses internal clock generator based on the value of I2SCLL and I2CSCLH register. The duty cycle does not need to be 50%. STA bit is START flag. Setting this bit causes I<sup>2</sup>C entering master mode and transmitting a START condition or transmitting a repeated START condition when it is already in master mode. STO bit is STOP flag. Setting this bit causes I<sup>2</sup>C transmitting a STOP condition in master mode, or recovering from an error condition in slave mode. If the STA and STO are both set, then a STOP condition is transmitted to the I<sup>2</sup>C bus if it is in master mode, and transmits a START condition after. If it is in slave mode, an internal STOP condition will be generated, but is not transmitted to the bus.

Extended Address Range Microcontroller

P89C669

<b>I2CON</b> Address: 91h																		
Bit addressable																		
Reset Source(s): Any reset																		
Reset Value: x00000x0B																		
		<table border="1" style="width: 100%; border-collapse: collapse;"> <tr> <td style="width: 12.5%; text-align: center;">7</td> <td style="width: 12.5%; text-align: center;">6</td> <td style="width: 12.5%; text-align: center;">5</td> <td style="width: 12.5%; text-align: center;">4</td> <td style="width: 12.5%; text-align: center;">3</td> <td style="width: 12.5%; text-align: center;">2</td> <td style="width: 12.5%; text-align: center;">1</td> <td style="width: 12.5%; text-align: center;">0</td> </tr> <tr> <td style="text-align: center;">-</td> <td style="text-align: center;">I2EN</td> <td style="text-align: center;">STA</td> <td style="text-align: center;">STO</td> <td style="text-align: center;">SI</td> <td style="text-align: center;">AA</td> <td style="text-align: center;">-</td> <td style="text-align: center;">CRSEL</td> </tr> </table>	7	6	5	4	3	2	1	0	-	I2EN	STA	STO	SI	AA	-	CRSEL
7	6	5	4	3	2	1	0											
-	I2EN	STA	STO	SI	AA	-	CRSEL											
<b>BIT</b>	<b>SYMBOL</b>	<b>FUNCTION</b>																
I2CON.7	-	Reserved for future use. Should not be set to 1 by user programs.																
I2CON.6	I2EN	I <sup>2</sup> C Interface Enable. When clear, I <sup>2</sup> C function is disabled, P1.7/SDA and P1.6/SCL can be used as general I/O. When set, enable I <sup>2</sup> C function.																
I2CON.5	STA	The Start Flag. STA = 1: the I <sup>2</sup> C enters master mode, checks the bus and generates a START condition if the bus is free. If the bus is not free, it waits for a STOP condition (which will free the bus) and generates a START condition after a delay of a half clock period of the internal clock generator. When I <sup>2</sup> C is already in master mode and some data are transmitted or received, it transmits a repeated START condition. STA may be set at any time, it may also be set when I <sup>2</sup> C is in an addressed slave mode.  STA = 0: no START condition or repeated START condition will be generated.																
I2CON.4	STO	The STOP Flag. STO = 1: In master mode, a STOP condition is transmitted to the I <sup>2</sup> C bus. When the bus detected the STOP condition, it will clear STO bit automatically.  In slave mode, setting this bit can recover from an error condition. In this case, no STOP condition is transmitted to the bus. The hardware behaves as if a STOP condition has been received and it switches to "not addressed" slave receiver mode. The STO flag is cleared by hardware automatically.																
I2CON.3	SI	I <sup>2</sup> C Interrupt Flag. This bit is set when one of the 25 possible I <sup>2</sup> C states is entered. Typically, the I <sup>2</sup> C interrupt should only be used to indicate a start condition at an idle slave device, or a stop condition at an idle master device (if it is waiting to use the I <sup>2</sup> C bus).  When EA bit and EI2C (IEN1.0) bit are both set, an interrupt is requested when SI=1. This bit is cleared by software by writing 0 to this bit.																
I2CON.2	AA	The Assert Acknowledge Flag. When set to 1, an acknowledge (low level to SDA) will be returned during the acknowledge clock pulse on the SCL line on the following situations:  (1)The "own slave address" has been received. (2)The general call address has been received while the general call bit(GC) in I2ADR is set. (3) A data byte has been received while the I <sup>2</sup> C is in the master receiver mode. (4)A data byte has been received while the I <sup>2</sup> C is in the addressed slave receiver mode  When set to 0, an not acknowledge (high level to SDA) will be returned during the acknowledge clock pulse on the SCL line on the following situations: (1) A data byte has been received while the I <sup>2</sup> C is in the master receiver mode. (2) A data byte has been received while the I <sup>2</sup> C is in the addressed slave receiver mode.																
I2CON.1	-	Reserved for future use. Should not be set to 1 by user programs.																
I2CON.0	CRSEL	SCL clock selection. When CRSEL = 1: Timer1 overflow generates SCL, when CRSEL = 0: Internal SCL generator is used base on values of I2SCLH and I2SCLL.																

Figure 53: I<sup>2</sup>C Control Register

### 6.7.4 I<sup>2</sup>C STATUS REGISTER

This is a read-only register. It contains the status code of I<sup>2</sup>C. The least three bits are always 0. There are 26 possible status codes. When the code is F8H, there is no relevant information available and SI bit is not set. All other 25 status codes correspond to defined I<sup>2</sup>C states. When any of these states is entered, SI bit will be set. Refer to Table 18 to Table 21 for details.

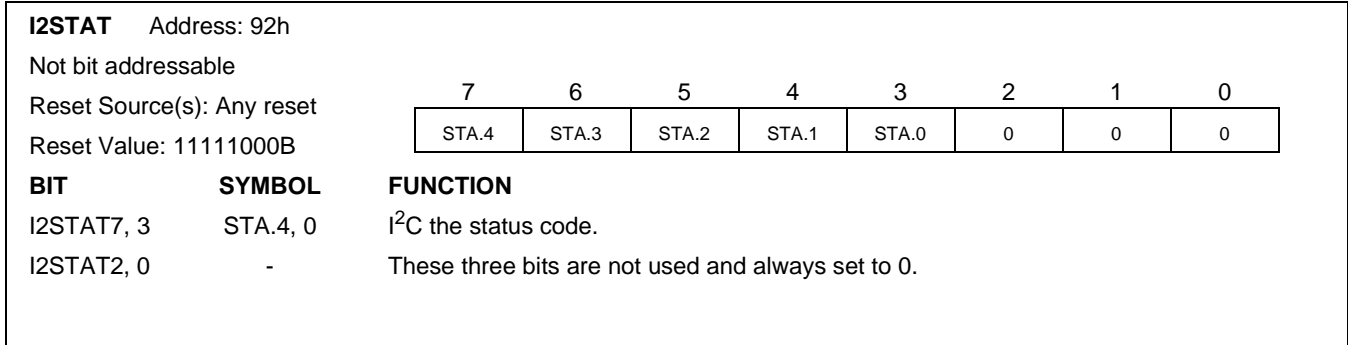


Figure 54: I<sup>2</sup>C Status Register

### 6.7.5 I<sup>2</sup>C SCL DUTY CYCLE REGISTER I2SCLH AND I2SCLL

When internal SCL generator is selected for I<sup>2</sup>C interface by setting CRSEL = 0 in I2CON register, user must set values for register SCLL and SCLH to select properiate data rate. I2SCLH defines the number of fosc cycles for SCL = high, I2SCLL defines the number of fosc cycles for SCL = low. The frequency is determined by the following formula:

$$\text{Bit Frequency} = f_{\text{osc}} / (\text{I2SCLH} + \text{I2SCLL})$$

Where f<sub>osc</sub> is the oscillator frequency.

The values for I2SCLL and I2SCLH don't have to be the same, user can give different duty cycle's SCL by setting these two register. But the value of the register must ensure that the data rate is in the I<sup>2</sup>C data rate range of 0 - 400kHz. So the value of I2SCLL and I2SCLH has some restrictions, values for both registers greater than 3 are recommended.

Table 17: I<sup>2</sup>C clock rates selection

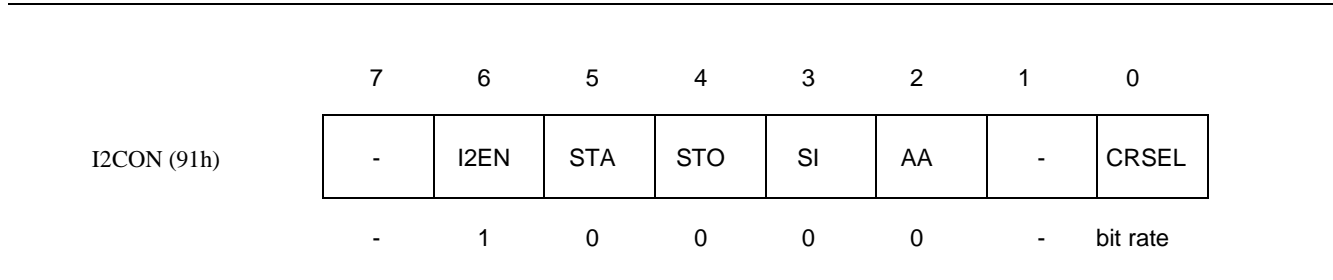
I2SCLL + I2SCLH	CRSEL	Bit Data Rate (kbits/sec) At f <sub>osc</sub>		
		24MHz	12MHz	6MHz
15	0	-	-	400
25	0	-	-	240
30	0	-	400	200
50	0	-	240	120
60	0	400	200	100
100	0	240	120	60
150	0	160	80	40
200	0	120	60	30
250	0	96	48	24
-	1	23.4 - 6000Kbps timer1 in mode 2	11.7 - 3000Kbps timer1 in mode 2	5.86 - 1500Kbps timer1 in mode 2

I<sup>2</sup>C operation modes are described in following chapters.



### 6.7.6 MASTER TRANSMITTER MODE

In this mode data are transmitted from master to slave. Before the master transmitter mode can be entered, I2CON must be initialized as follows:



CRSEL defines the bit rate. I2EN must be set to 1 to enable I<sup>2</sup>C function. If the AA bit is 0, it will not acknowledge its own slave address or the general call address in the event of another device becoming master of the bus, so it can not enter slave mode. STA, STO and SI bit must be set to 0.

The first byte transmitted contains the slave address of the receiving device (7 bits) and the data direction bit. In this case the data direction bit (R/W) will be logic 0 which means Write. Thus the first byte transmitted is SLA+W. Data is transmitted 8 bits at a time. After each byte is transmitted, an acknowledge bit is received. START and STOP conditions are output to indicate the beginning and the end of a serial transfer.

I<sup>2</sup>C will enter master transmitter mode by setting STA bit. The I<sup>2</sup>C logic will send the START condition as soon as the bus is free. After the START condition is transmitted, SI bit is set, and the status code in I2STAT should be 08h. This status code must be used to vector to an interrupt service routine where the user should load slave address to I2DAT (Data Register) and data direction bit (SLA+W). The SI bit must be cleared before the data transfer can continue.

When the slave address and R/W bit have been transmitted and an acknowledgment bit has been received, the SI bit is set again, and the possible status code now is 18h, 20h, or 38h for the master mode and also 68h, 78h, or 0B0h if the slave mode was enabled (setting AA = Logic 1). The appropriate action to be taken for each of these status codes is shown in Table 18.

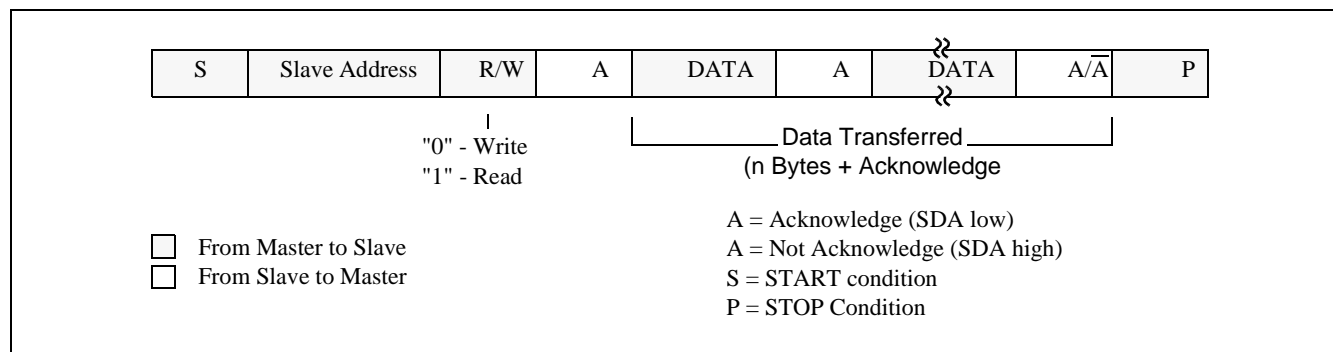


Figure 55: Format in the master transmitter mode

### 6.7.7 MASTER RECEIVER MODE

In the master receiver mode, the data are received from a slave transmitter. The transfer initialized as the same as in the master transmitter mode. When the START condition has been transmitted, the interrupt service routine must load the slave address and the data direction bit to I<sup>2</sup>C Data Register (I2DAT). The SI bit must be cleared before the data transfer can continue.

Extended Address Range Microcontroller

P89C669

When the slave address and data direction bit have been transmitted and an acknowledge bit has been received, the SI bit is set, and the Status Register will show the status code. For master mode, the possible status code are 40H, 48H, or 38H. For slave mode, the possible status code are 68H, 78H, or B0H. Refer to Table 19 for details.

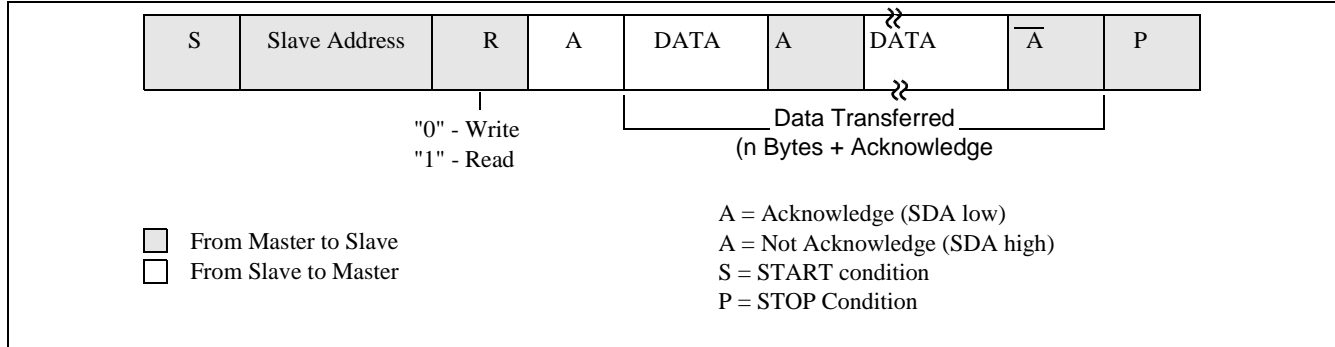


Figure 56: Format of master receiver mode

After a repeated START condition, I<sup>2</sup>C may switch to the master transmitter mode.

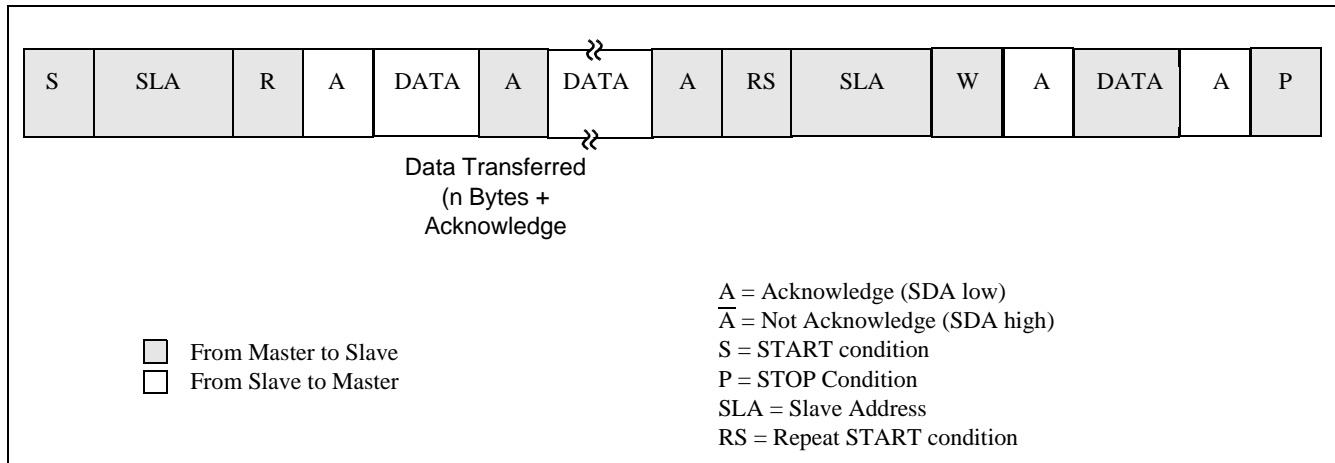


Figure 57: A master receiver switch to master transmitter after sending repeated START

6.7.8 SLAVE RECEIVER MODE

In the slave receiver mode, data bytes are received from a master transmitter. To initialize the slave receiver mode, user should write the Slave Address Register (I2ADR) and the I<sup>2</sup>C Control Register (I2CON) should be configured as follows:

	7	6	5	4	3	2	1	0
I2CON (91h)	-	I2EN	STA	STO	SI	AA	-	CRSEL
	-	1	0	0	0	1	-	-

Extended Address Range Microcontroller

P89C669

CRSEL are not used for slave mode. I2EN must be set to 1 to enable I<sup>2</sup>C function. AA bit must be set to 1 to acknowledge its own slave address or the general call address. STA, STO and SI are set to 0.

After I2ADR and I2CON are initialized, it will wait until it is addressed by its own address or general address followed by the data direction bit which is 0(W). If the direction bit is 1-R, it will enter slave transmitter mode. After the address and direction bit have been received, the SI bit is set and a valid status code can be read from the Status Register(I2STAT). Refer to Table 20 for the status codes and actions.

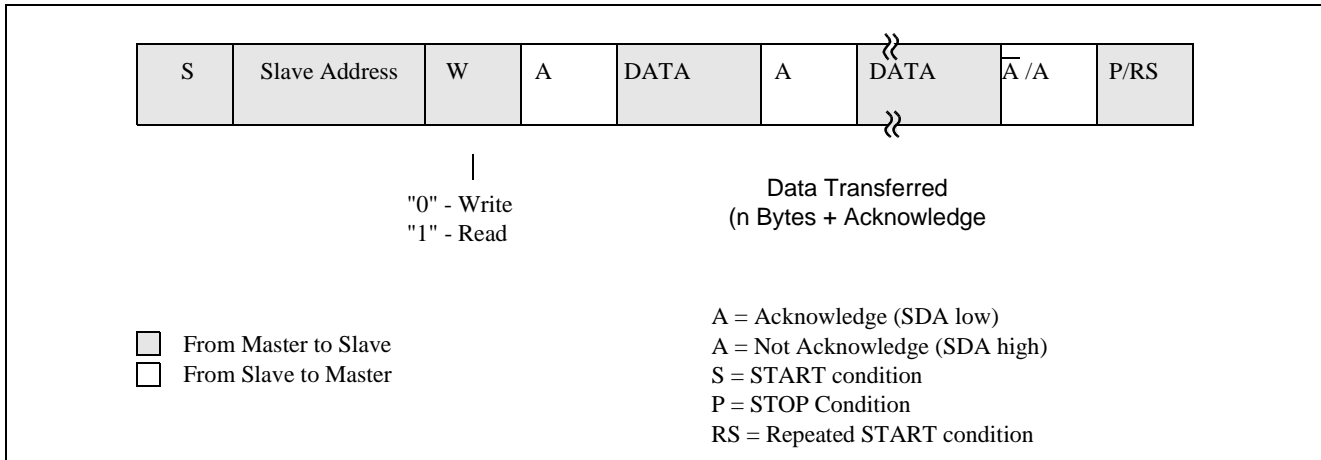
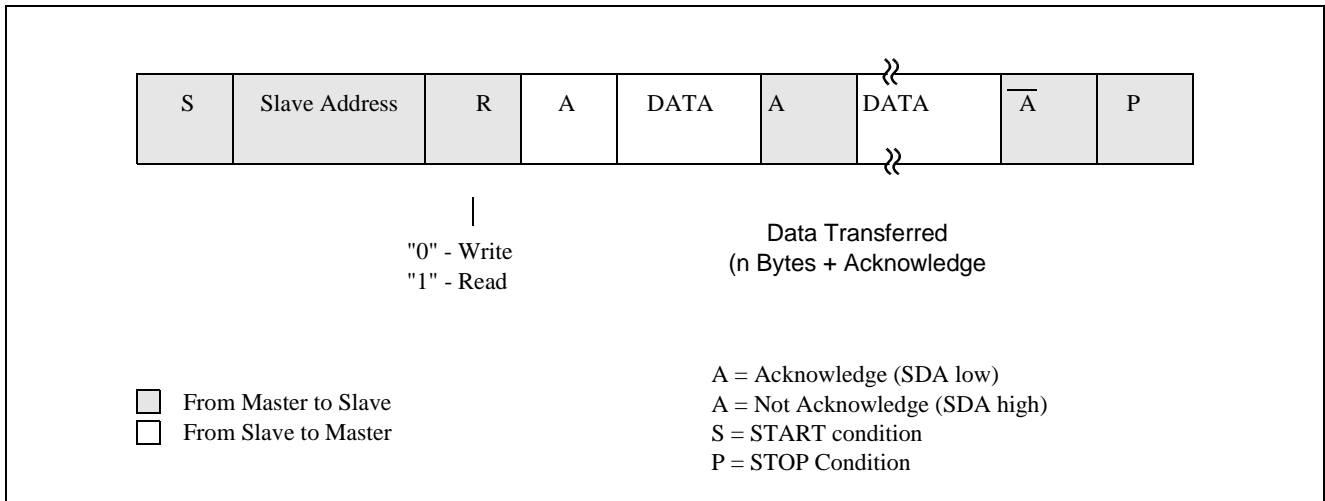


Figure 58: Format of slave receiver mode

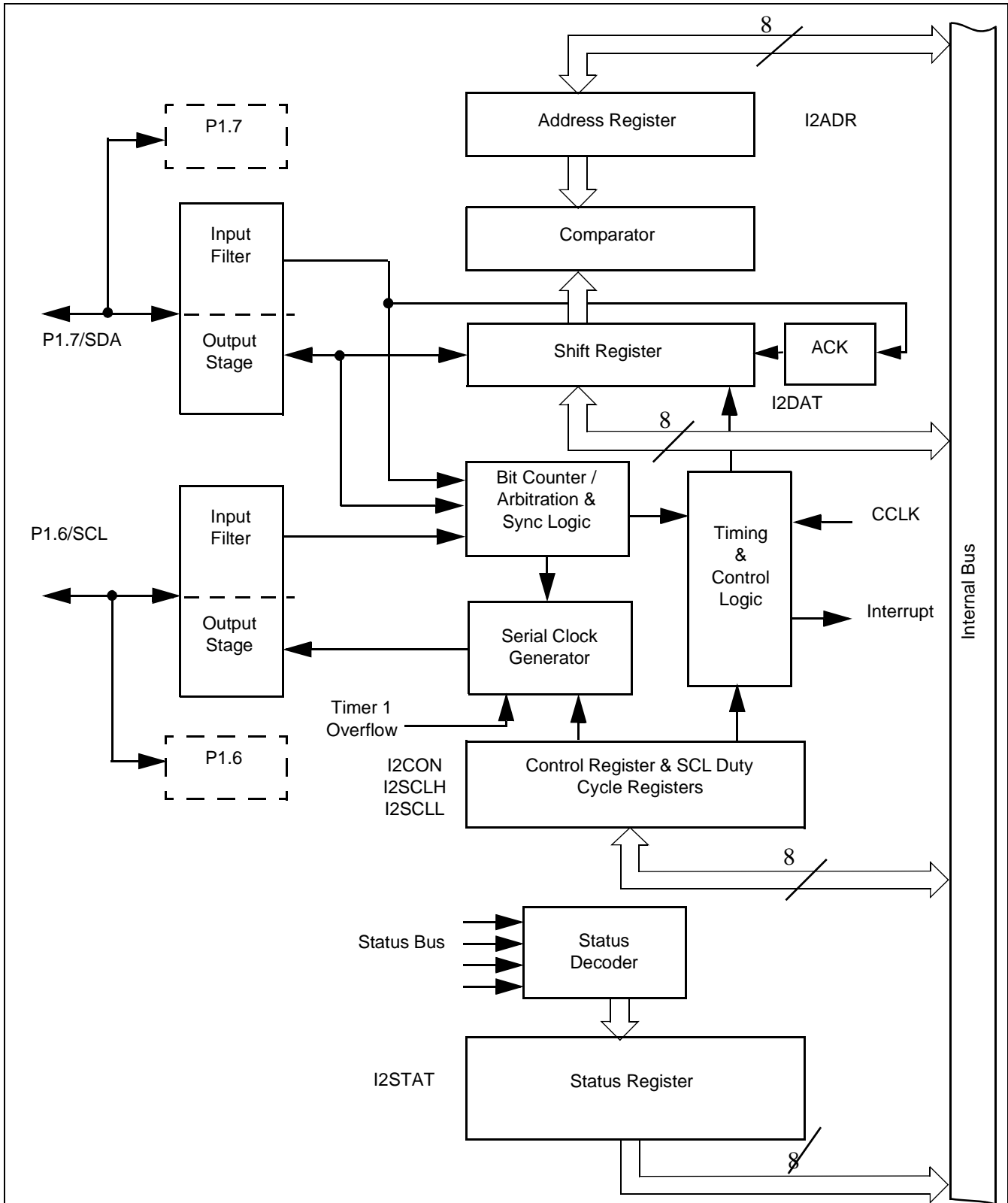
### 6.7.9 SLAVE TRANSMITTER MODE

The first byte is received and handled as in the slave receiver mode. However, in this mode, the direction bit will indicate that the transfer direction is reversed. Serial data is transmitted via P1.7/SDA while the serial clock is input through P1.6/SCL. START and STOP conditions are recognized as the beginning and end of a serial transfer. In a given application, I<sup>2</sup>C may operate as a master and as a slave. In the slave mode, the I<sup>2</sup>C hardware looks for its own slave address and the general call address. If one of these addresses is detected, an interrupt is requested. When the microcontrollers wishes to become the bus master, the hardware waits until the bus is free before the master mode is entered so that a possible slave action is not interrupted. If bus arbitration is lost in the master mode, I<sup>2</sup>C switches to the slave mode immediately and can detect its own slave address in the same serial transfer.



**Figure 59: Format of slave transmitter mode**

Figure 60: I<sup>2</sup>C Bus Serial Interface Block Diagram



## Extended Address Range Microcontroller

P89C669

Table 18: Master Transmitter Mode

STATUS CODE (I2STAT)	STATUS OF THE I2C BUS HARDWARE	APPLICATOPN SOFTWARE RESPONSE					NEXT ACTION TAKEN BY I2C HARDWARE
		TO/FROM I2DAT	TO I2CON				
			STA	STO	SI	AA	
08H	A START condition has been transmitted	Load SLA+W	x	0	0	x	SLA+W will be transmitted; ACK bit will be received
10H	A repeat START condition has been transmitted	Load SLA+W or Load SLA+R	X	0	0	x	As above SLA+W will be transmitted; I2C will be switches to master receiver mode
18h	SLA+W has been transmitted; ACK has been received	Load data byte or no I2DAT action or no I2DAT action or no I2DAT action	0 1 0 1	0 0 1 1	0 0 0 0	x x x X	Data byte will be transmitted; ACK bit will be received Repeated START will be transmitted; STOP condition will be transmitted; STO flag will be reset STOP condition followed by a START condition will be transmitted; STO flag will be reset
20h	SLA+W has been transmitted; NOT-ACK has been received	Load data byte or no I2DAT action or no I2DAT action or no I2DAT action	0 1 0 1	0 0 1 1	0 0 0 0	x x x x	Data byte will be transmitted; ACK bit will be received Repeated START will be transmitted; STOP condition will be transmitted; STO flag will be reset STOP condition followed by a START condition will be transmitted; STO flag will be reset
28h	Data byte in I2DAT has been transmitted; ACK has been received	Load data byte or no I2DAT action or no I2DAT action or no I2DAT action	0 1 0 1	0 0 1 1	0 0 0 0	x x x x	Data byte will be transmitted; ACK bit will be received Repeated START will be transmitted; STOP condition will be transmitted; STO flag will be reset STOP condition followed by a START condition will be transmitted; STO flag will be reset
30h	Data byte in I2DAT has been transmitted ; NOT ACK has	Load data byte or no I2DAT action or no I2DAT action or	0 1 0	0 0 1	0 0 0	x x x	Data byte will be transmitted; ACK bit will be received Repeated START will be transmitted; STOP condition will be transmitted; STO flag will be reset

## Extended Address Range Microcontroller

P89C669

Table 19: Master Receiver Mode

STATUS CODE (I2STAT)	STATUS OF THE I2C BUS HARDWARE	APPLICATOPN SOFTWARE RESPONSE					NEXT ACTION TAKEN BY I2C HARDWARE
		TO/FROM I2DAT	TO I2CON				
			STA	STO	SI	AA	
08H	A START condition has been transmitted	Load SLA+R	x	0	0	x	SLA+R will be transmitted; ACK bit will be received
10H	A repeat START condition has been transmitted	Load SLA+R or	X	0	0	x	As above
38H	Arbitration lost in NOT ACK bit	Load SLA+W	x	0	0	x	SLA+W will be transmitted; I2C will be switches to master transmitter mode
		no I2DAT action or no I2DAT action	0 1	0 0	0 0	x x	I2C will be released; it will enter a slave mode A START condition will be transmitted when the bus becomes free
40h	SLA+R has been transmitted; ACK has been received	no I2DAT action or	0	0	0	0	Data byte will be received; NOT ACK bit will be returned
		no I2DAT action or	0	0	0	1	Data byte will be received; ACK bit will be returned
48h	SLA+R has been transmitted; NOT ACK has been received	No I2DAT action or	1	0	0	x	Repeated START will be transmitted;
		no I2DAT action or	0	1	0	x	STOP condition will be transmitted; STO flag will be reset
		no I2DAT action or	1	1	0	x	STOP condition followed by a START condition will be transmitted; STO flag will be reset
50h	Data byte has been received; ACK has been returned	Read data byte	0	0	0	0	Data byte will be received; NOT ACK bit will be returned
		read data byte	0	0	0	1	Data byte will be received; ACK bit will be returned
58h	Data byte has been received; ACK has been returned	Read data byte or	1	0	0	x	Repeated START will be transmitted;
		read data byte or	0	1	0	x	STOP condition will be transmitted; STO flag will be reset
		read data byte	1	1	0	x	STOP condition followed by a START condition will be transmitted; STO flag will be reset

## Extended Address Range Microcontroller

P89C669

Table 20: Slave Receiver Mode

STATUS CODE (I2STAT)	STATUS OF THE I2C BUS HARDWARE	APPLICATOPN SOFTWARE RESPONSE				NEXT ACTION TAKEN BY I2C HARDWARE	
		TO/FROM I2DAT	TO I2CON				
			STA	STO	SI		AA
60H	Own SLA+W has been received; ACK has been received	no I2DAT action or	x	0	0	0	Data byte will be received and NOT ACK will be returned
		no I2DAT action	x	0	0	1	Data byte will be received and ACK will be returned
68H	Arbitration lost in SLA+R/W as master; Own SLA+W has been received, ACK returned	No I2DAT action or	x	0	0	0	Data byte will be received and NOT ACK will be returned
		no I2DAT action	x	0	0	1	Data byte will be received and ACK will be returned
70H	General call address(00H) has been received, ACK has been returned	No I2DAT action or	x	0	0	0	SLA+W will be transmitted; I2C will be switches to master transmitter mode
		no I2DAT action	x	0	0	1	Data byte will be received and ACK will be returned
78H	Arbitration lost in SLA+R/W as master; General call address has been received, ACK bit has been returned	no I2DAT action or	x	0	0	0	I2C will be released; it will enter a slave mode
		no I2DAT action	x	0	0	1	Data byte will be received and ACK will be returned
80H	Previously addressed with own SLA address; Data has been received; ACK has been returned	Read data byte or	x	0	0	0	A START condition will be transmitted when the bus becomes free
		read data byte	x	0	0	1	Data byte will be received; NOT ACK bit will be returned
88H	Previously addressed with own SLA address; Data has been received; NOT ACK has been returned	Read data byte or	x	0	0	0	Switched to not addressed SLA mode; no recognition of own SLA or general address
		read data byte or	0	0	0	1	Switched to not addressed SLA mode; Own SLA will be recognized; general call address will be recognized if I2ADR.0=1
		read data byte or	1	0	0	0	Switched to not addressed SLA mode; no recognition of own SLA or General call address. A START condition will be transmitted when the bus becomes free
		read data byte	1	0	0	1	Switched to not addressed SLA mode; Own slave address will be recognized; General call address will be recognized if I2ADR.0=1. A START condition will be transmitted when the bus becomes free.



Extended Address Range Microcontroller

P89C669

Table 20: Slave Receiver Mode (Continued)

STATUS CODE (I2STAT)	STATUS OF THE I2C BUS HARDWARE	APPLICATOPN SOFTWARE RESPONSE					NEXT ACTION TAKEN BY I2C HARDWARE
		TO/FROM I2DAT	TO I2CON				
			STA	STO	SI	AA	
90H	Previously addressed with General call; Data has been received; ACK has been returned	Read data byte or	x	0	0	0	Data byte will be received and NOT ACK will be returned
		read data byte	x	0	0	1	Data byte will be received and ACK will be returned
98H	Previously addressed with General call; Data has been received; NOT ACK has been returned	Read data byte	0	0	0	0	Switched to not addressed SLA mode; no recognition of own SLA or General call address
		read data byte	0	0	0	1	Switched to not addressed SLA mode; Own slave address will be recognized; General call address will be recognized if I2ADR.0=1.
		read data byte	1	0	0	0	Switched to not addressed SLA mode; no recognition of own SLA or General call address. A START condition will be transmitted when the bus becomes free.
		read data byte	1	0	0	1	Switched to not addressed SLA mode; Own slave address will be recognized; General call address will be recognized if I2ADR.0=1. A START condition will be transmitted when the bus becomes free.
A0H	A STOP condition or repeated START condition has been received while still addressed as SLA/ REC or SLA/TRX	No I2DAT action	0	0	0	0	Switched to not addressed SLA mode; no recognition of own SLA or General call address
		no I2DAT action	0	0	0	1	Switched to not addressed SLA mode; Own slave address will be recognized; General call address will be recognized if I2ADR.0=1.
		no I2DAT action	1	0	0	0	Switched to not addressed SLA mode; no recognition of own SLA or General call address. A START condition will be transmitted when the bus becomes free.
		no I2DAT action	1	0	0	1	Switched to not addressed SLA mode; Own slave address will be recognized; General call address will be recognized if I2ADR.0=1. A START condition will be transmitted when the bus becomes free.

Extended Address Range Microcontroller

P89C669

Table 21: Slave Transmitter Mode

STATUS CODE (I2STAT)	STATUS OF THE I2C BUS HARDWARE	APPLICATOPN SOFTWARE RESPONSE				NEXT ACTION TAKEN BY I2C HARDWARE	
		TO/FROM I2DAT	TO I2CON				
			STA	STO	SI		AA
A8h	Own SLA+R has been received; ACK has been returned	Load data byte or	x	0	0	0	Last data byte will be transmitted and ACK bit will be received
		load data byte	x	0	0	1	Data byte will be transmitted; ACK will be received
B0h	Arbitration lost in SLA+R?W as master; Own SLA+R has been received, ACK has been returned	Load data byte or	x	0	0	0	Last data byte will be transmitted and ACK bit will be received
		load data byte	x	0	0	1	Data byte will be transmitted; ACK bit will be received
B8H	Data byte in I2DAT has been transmitted; ACK has been received	Load data byte or	x	0	0	0	Last data byte will be transmitted and ACK bit will be received
		load data byte	x	0	0	1	Data byte will be transmitted; ACK will be received
C0H	Data byte in I2DAT has been transmitted; NOT ACK has been received	No I2DAT action or	0	0	0	0	Switched to not addressed SLA mode; no recognition of own SLA or General call address.
		no I2DAT action or	0	0	0	1	Switched to not addressed SLA mode; Own slave address will be recognized; General call address will be recognized if I2ADR.0=1.
		no I2DAT action or	1	0	0	0	Switched to not addressed SLA mode; no recognition of own SLA or General call address. A START condition will be transmitted when the bus becomes free.
		no I2DAT action	1	0	0	1	Switched to not addressed SLA mode; Own slave address will be recognized; General call address will be recognized if I2ADR.0=1. A START condition will be transmitted when the bus becomes free.

**Table 21: Slave Transmitter Mode (Continued)**

STATUS CODE (I2STAT)	STATUS OF THE I2C BUS HARDWARE	APPLICATOPN SOFTWARE RESPONSE					NEXT ACTION TAKEN BY I2C HARDWARE
		TO/FROM I2DAT	TO I2CON				
			STA	STO	SI	AA	
C8H	Last data byte in I2DAT has been transmitted(AA=0); ACK has been received	No I2DAT action or	0	0	0	0	Switched to not addressed SLA mode; no recognition of own SLA or General call address.
		no I2DAT action or	0	0	0	1	Switched to not addressed SLA mode; Own slave address will be recognized; General call address will be recognized if I2ADR.0=1.
		no I2DAT action or	1	0	0	0	Switched to not addressed SLA mode; no recognition of own SLA or General call address. A START condition will be transmitted when the bus becomes free.
		no I2DAT action	1	0	0	1	Switched to not addressed SLA mode; Own slave address will be recognized; General call address will be recognized if I2ADR.0=1. A START condition will be transmitted when the bus becomes free.

For more information about I<sup>2</sup>C interface, refer to I<sup>2</sup>C specification.

## 6.8 WATCHDOG TIMER

The watchdog timer subsystem protects the microcontroller system from incorrect code execution over a longer period of time by causing a system reset when the watchdog timer underflows as a result of a failure of software to feed the timer prior to the timer reaching its terminal count.

For the P87C51Mx2, the watchdog timer is compatible with the watchdog timer in 89C51Rx2. In addition, it has a prescaler of up to 1024 times (default without prescaling) that supports longer watchdog timeout.

The WDT consists of a 14-bit counter and Watchdog Timer Reset (WDTRST) SFR. The prescaler is determined by the watchdog control (WDCON) SFR in the MX extended SFR space.

### 6.8.1 WATCHDOG FUNCTION

The time interval of the watchdog timer can be calculated as:

$$\text{timeoutperiod} = \frac{16383 \times \text{prescalefactor} \times 6}{f_{\text{OSC}}}$$

In other words, after a feed sequence, the watchdog timer time out will occur after  $16383 \times \text{prescalefactor}$  machine cycles and will cause a watchdog reset, unless the next feed sequence occurs before the time out.

## 6.8.2 FEED SEQUENCE

WDT is disabled after reset of the microcontroller. To enable the WDT, user must write 01EH and 0E1H in sequence to the WDTRST register. Once the WDT is enabled, user must feed the watchdog in by writing 01EH and 0E1H to WDTRST before a WDT timeout to avoid WDT overflow. When WDT overflows, it will drive an reset HIGH pulse at the RST pin. After WDT is enabled, it cannot be disabled unless system is resetted.

The following code is recommended for a feed sequence:

```

CLR      EA                ;Disable all interrupts, avoid interrupt in between two parts of feed
                          ;sequence.
MOV      WDTRST,#01Eh     ;Feed sequence first part
MOV      WDTRST,#0E1h     ;Feed sequence second part
SETB     EA                ;Enable interrupts.

```

Note that:

- Upon a power up or any reset, including WDT reset, the watch dog timer is disabled. Executing the feed sequence once will start the WDT. Once started, it cannot be disabled until reset again.
- The watchdog is enabled by a write of 1Eh followed by a write of E1h to the WDTRST register. Before the first 1Eh is written to WDTRST, a write of any pattern (other than 1Eh) will not cause a reset. Once an 1Eh is written to the WDTRST register, any write of a pattern other than 1Eh or E1h to the WDTRST register will cause a watchdog reset.
- The triggering event to restart the WDT is the second part (writing E1h to the WDTRST SFR) of the feed sequence.
- Refer to Figure 62 for details of WDT operations, including effects of illegal feed patterns to the WDTRST SFR.

## 6.8.3 WDT CONTROL

The P87C51Mx2 has a control register in the MX extended SFR space. It has a 3-bit prescaler control to select the prescale factor for the watchdog timer clock. WDCON should be loaded with selected value before WDT is turned on. Writing to WDCON while WDT is enabled will result in unpredictable behavior.

## 6.8.4 WATCHDOG RESET WIDTH

When the WDT times out, a reset will occur, and the external reset (RST) pin will be driven high for 98 clock cycles.

<b>WDCON</b> Address: 8Fh (MX Extended SFR Space)									
Not bit addressable		7	6	5	4	3	2	1	0
Reset Value: 00h		-	-	-	-	-	WDPRE2	WDPRE1	WDPRE0
<b>BIT</b>	<b>SYMBOL</b>	<b>FUNCTION</b>							
WDCON.7-3	-	Reserved for future use. Should be set to 0 by user programs.							
WDCON.2-0	WDPRE2-0	Select WDT prescale factor. Note that the value written to these bits will not be immediately available to be read until after a WDT feed sequence.							

Figure 61: WDCON Register

WDPRE2	WDPRE1	WDPRE0	Prescale Factor
0	0	0	1
0	0	1	4
0	1	0	16
0	1	1	64
1	0	0	128
1	0	1	256
1	1	0	512
1	1	1	1024

Table 22: WDT Prescale Selection

### 6.8.5 READING FROM THE WDCON SFR

It should be noted that value written to the WDCON register will not be immediately available to be read until after a successful feed sequence. Any read before a feed sequence will fetch the old value.

### 6.8.6 SOFTWARE RESET VIA WATCHDOG TIMER FEED SEQUENCE

The following instructions will result in a software reset via the watchdog timer reset, even if one or more interrupts occur during those instructions:

```

MOV     WDTRST,#01Eh      ;Feed sequence first part
MOV     WDTRST,#0AAh      ;Any pattern other than 1Eh or E1h (not necessarily AAh) will perform a
                           ;WDT reset

```

This software reset will be performing the same function as a WDT reset, where a reset pulse will also be generated to reset external circuitries.

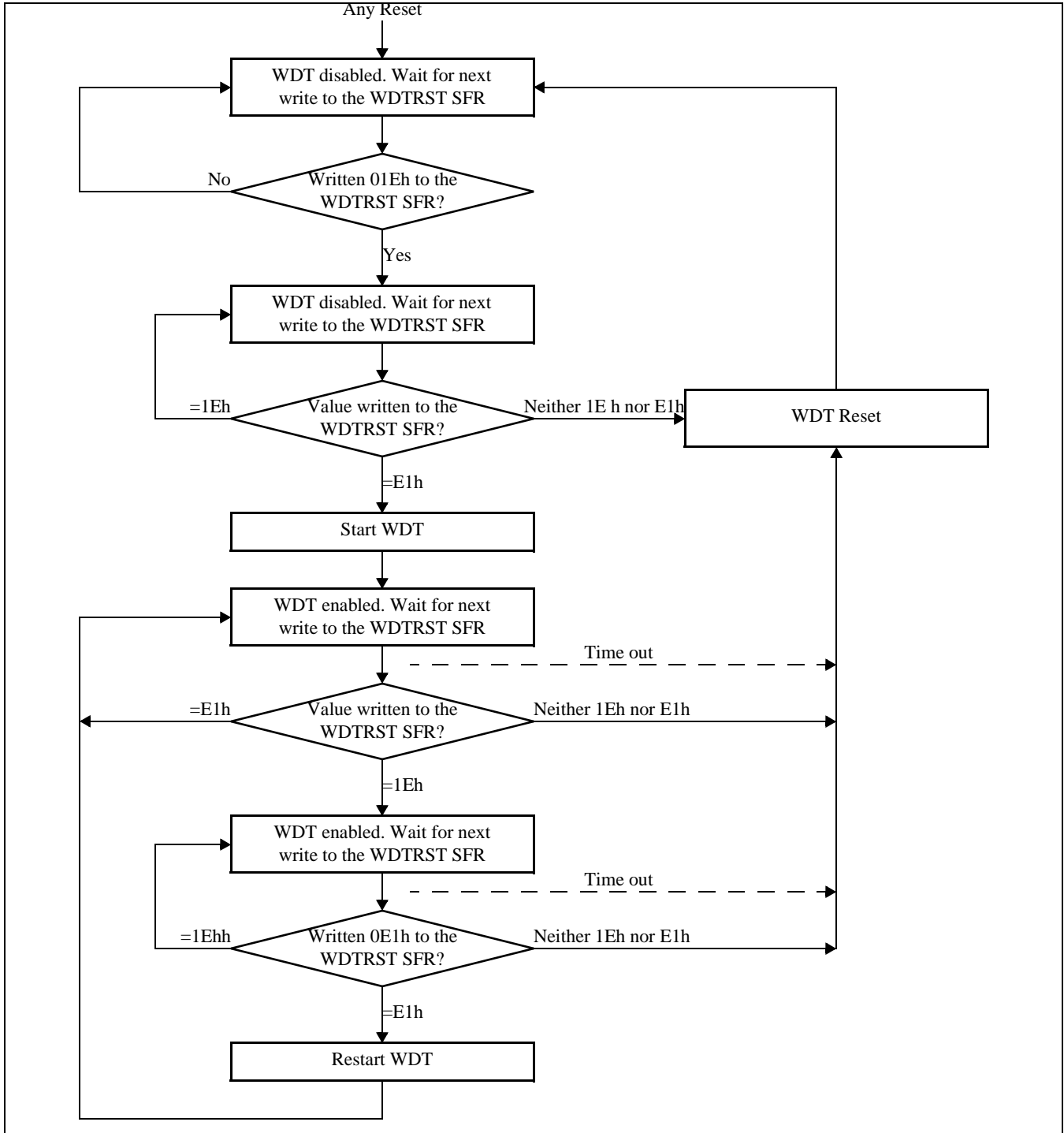


Figure 62: Watchdog Timer State Transitions

## 6.9 ADDITIONAL FEATURES

<b>AUXR</b>	Address: 8EH	7	6	5	4	3	2	1	0
Not bit addressable		-	-	-	-	-	-	EXTRAM	AO
Reset Value: 00h									
<b>BIT</b>	<b>SYMBOL</b>	<b>FUNCTION</b>							
AUXR.7-2	-	Reserved for future use. Should be set to 0 by user programs.							
AUXR.1	EXTRAM	Internal/External RAM access using MOVX @Ri/@DPTR. When 0, core attempts to access internal XRAM with address specified in MOVX instruction. If address supplied with this instruction exceeds on-chip available XRAM, off-chip XRAM is going to be selected and accessed. When 1, every MOVX @Ri/@DPTR instruction targets external data memory by default. (Refer to "51MX Architecture Reference").							
AUXR.0	AO	ALE Off: disables/enables ALE. AO=0 results in ALE emitted at a constant rate of 1/2 the oscillator frequency. In case of AO=1 ALE is active only during a MOVX, EMOV or MOVC.							

Figure 63: AUXR Register

### 6.9.1 EXPANDED DATA RAM ADDRESSING

The P87C51Mx2 has expanded data RAM addressing capability. Details of the data memory structure are explained in "51MX Architecture Reference".

The device has on-chip data memory that is mapped into the following segments:

- Address 0000H-007FH are directly and indirectly addressable (DATA memory).
- Address 0080H-00FFH are indirectly addressable as RAM (IDATA memory). Note: When 000080H-0000FFH is directly addressed, SFRs will be accessed.
- Address 0100H-01FFH (for MB2/MC2) are extended indirectly addressable RAM (part of EDATA memory).
- There are also 1536 bytes of XDATA memory (locations 000000H-0005FFH) for MB2, and 2560 bytes of XDATA memory (locations 000000H-0009FFH) for MC2. If EXTRAM = 0, this internal XDATA memory location is selected in a MOVX instruction to/from locations 000000H-0005FFH (for MB2) or 000000H-0009FFH (for MC2), and external memory will be accessed above these locations. If EXTRAM = 1, the internal XDATA RAM will not be used and every MOVX instructions will always access external data memory.

RAM addressing described here is available in MX2 parts marked as P87C51Mx2/02. However, earlier MX parts marked as P87C51MB2 and P87C51MC2 had slightly different RAM addressing:

- Address 0100H-04FFH (for MB2/MC2) were extended indirectly addressable RAM (part of EDATA memory).
- There were also 768 bytes of XDATA memory (locations 000000H-0002FFH) for MB2, and 1792 bytes of XDATA memory (locations 000000H-0006FFH) for MC2.

Both new and old parts have the same amount of on-chip RAM available for user's application. Code written for older revisions can easily be recompiled for the new one: variables stored in EDATA space above 01FF have to be moved to added portion of XDATA memory space.

## Extended Address Range Microcontroller

P89C669

AUXR1 Address: A2h		7	6	5	4	3	2	1	0
Not bit addressable		-	-	ENBOOT	-	GF2	0	-	DPS
Reset Value: 00h									
BIT	SYMBOL	FUNCTION							
AUXR1.7-6	-	Reserved for future use. Should be set to 0 by user programs.							
AUXR1.5	ENBOOT	Determines whether the BOOTROM is enabled or disabled. For details see chapter on Flash Memory.							
AUXR1.4	-	Reserved for future use. Should be set to 0 by user programs.							
AUXR1.3	GF2	General purpose user-defined flag.							
AUXR1.2	0	This bit contains a hard-wired 0. Allows toggling of the DPS bit by incrementing AUXR1, without interfering with other bits in the register.							
AUXR1.1	-	Reserved for future use. Should be set to 0 by user programs.							
AUXR1.0	DPS	Data Pointer Select. Chooses one of two Data Pointers for use by the program. See text for details.							

Figure 64: AUXR1 Register

## 6.9.2 DUAL DATA POINTERS

The dual Data Pointer (DPTR) adds to the ways in which the processor can specify the address used with certain instructions. The DPS bit in the AUXR1 register selects one of the two Data Pointers. The DPTR that is not currently selected is not accessible to software unless the DPS bit is toggled.

Specific instructions affected by the Data Pointer selection are:

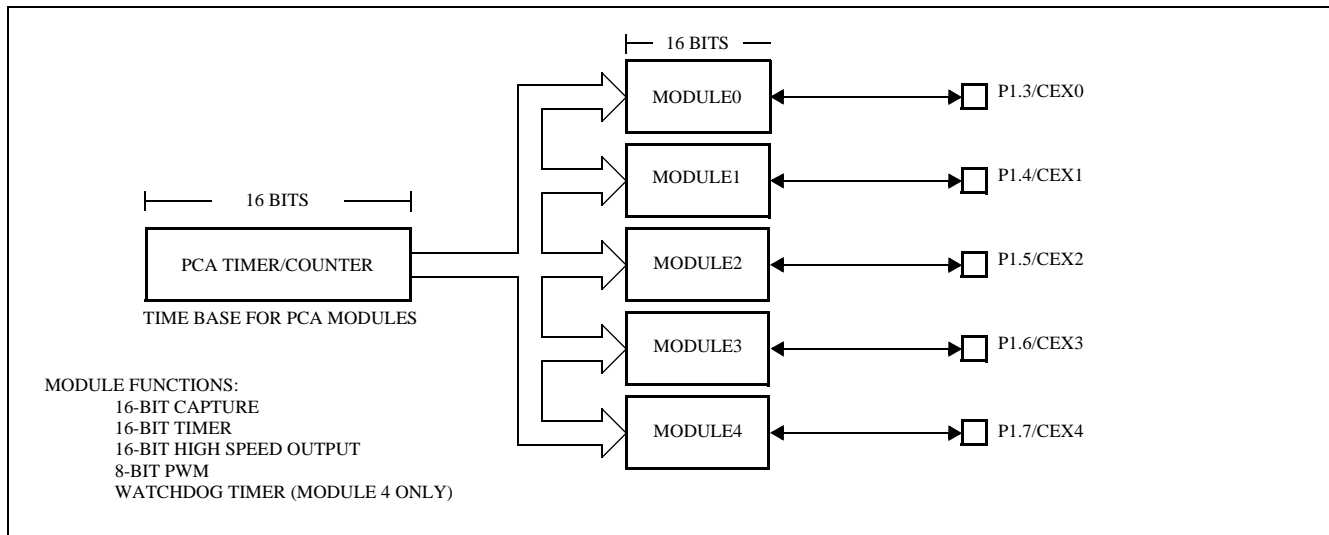
- INC DPTR                    Increments the Data Pointer by 1.
- JMP @A+DPTR            Jump indirect relative to DPTR value.
- MOV DPTR, #data16    Load the Data Pointer with a 16-bit constant.
- MOVC A, @A+DPTR    Move code byte relative to DPTR to the accumulator.
- MOVX A, @DPTR        Move data byte from data memory, relative to DPTR, to the accumulator.
- MOVX @DPTR, A        Move data byte from the accumulator to data memory, relative to DPTR.

Also, any instruction that reads or manipulates the DPH and DPL registers (the upper and lower bytes of the current DPTR) will be affected by the setting of DPS. Bit 2 of AUXR1 is permanently wired as a logic 0. This is so that the DPS bit may be toggled (thereby switching Data Pointers) simply by incrementing the AUXR1 register, without the possibility of inadvertently altering other bits in the register.

## 6.10 PROGRAMMABLE COUNTER ARRAY (PCA)

The Programmable Counter Array available on the P87C51Mx2 is compatible with 89C51Rx2. The PCA includes a special 16-bit Timer that has five 16-bit capture/compare modules associated with it. Each of the modules can be programmed to operate in one of four modes: rising and/or falling edge capture, software timer, high-speed output, or pulse width modulator. Each module has a pin associated with it in port 1. Module 0 is connected to P1.3 (CEX0), module 1 to P1.4 (CEX1), etc. Registers CH and CL contain current value of the free running up counting 16-bit PCA timer. The PCA timer is a common time base for all five modules and can be programmed to run at: 1/6 the oscillator frequency, 1/2 the oscillator frequency, the Timer 0 overflow, or the input on the ECI pin (P1.2). The timer count source is determined from the CPS1 and CPS0 bits in the CMOD SFR (see Figure 67).





**Figure 65: Programmable Counter Array (PCA)**

In the CMOD SFR there are three additional bits associated with the PCA. They are CIDL which allows the PCA to stop during idle mode, WDTE which enables or disables the watchdog function on module 4, and ECF which when set causes an interrupt and the PCA overflow flag CF (in the CCON SFR) to be set when the PCA timer overflows.

The watchdog timer function is implemented in module 4 of PCA.

The CCON SFR contains the run control bit for the PCA (CR) and the flags for the PCA timer (CF) and each module (CCF4:0). To run the PCA the CR bit (CCON.6) must be set by software. The PCA is shut off by clearing this bit. The CF bit (CCON.7) is set when the PCA counter overflows and an interrupt will be generated if the ECF bit in the CMOD register is set. The CF bit can only be cleared by software. Bits 0 through 4 of the CCON register are the flags for the modules (bit 0 for module 0, bit 1 for module 1, etc.) and are set by hardware when either a match or a capture occurs. These flags can only be cleared by software. All the modules share one interrupt vector. The PCA interrupt system is shown in Figure 66.

Each module in the PCA has a special function register associated with it. These registers are: CCAPM0 for module 0, CCAPM1 for module 1, etc. The registers contain the bits that control the mode that each module will operate in.

The ECCF bit (from CCAPMn.0 where n=0, 1, 2, 3, or 4 depending on the module) enables the CCFn flag in the CCON SFR to generate an interrupt when a match or compare occurs in the associated module (see Figure 66).

PWM (CCAPMn.1) enables the pulse width modulation mode.

The TOG bit (CCAPMn.2) when set causes the CEX output associated with the module to toggle when there is a match between the PCA counter and the module's capture/compare register.

The match bit MAT (CCAPMn.3) when set will cause the CCFn bit in the CCON register to be set when there is a match between the PCA counter and the module's capture/compare register.

The next two bits CAPN (CCAPMn.4) and CAPP (CCAPMn.5) determine the edge that a capture input will be active on. The CAPN bit enables the negative edge, and the CAPP bit enables the positive edge. If both bits are set both edges will be enabled and a capture will occur for either transition.

The last bit in the register ECOM (CCAPMn.6) when set enables the comparator function.

There are two additional registers associated with each of the PCA modules. They are CCAPnH and CCAPnL and these are the registers that store the 16-bit count when a capture occurs or a compare should occur. When a module is used in the PWM mode these registers are used to control the duty cycle of the output.

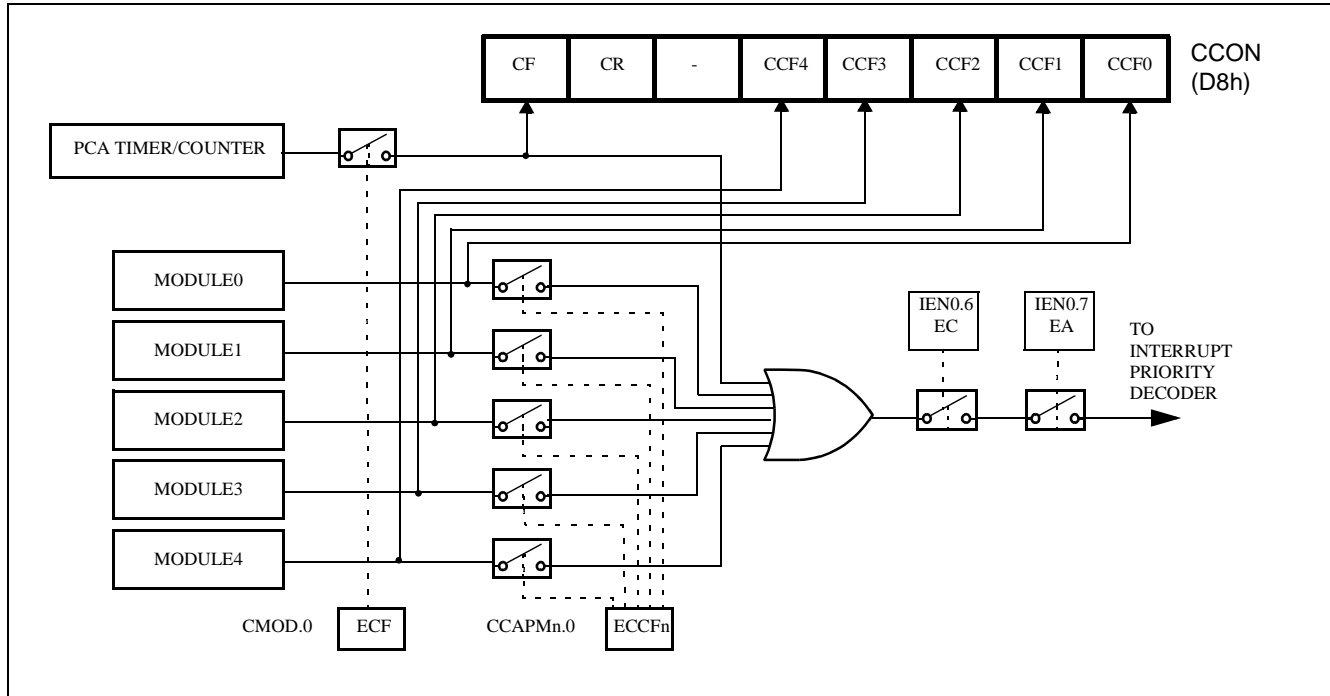


Figure 66: PCA Interrupt System

CMOD		7	6	5	4	3	2	1	0
Address: D9H		CIDL	WDTE	-	-	-	CPS1	CPS0	ECF
Not bit addressable									
Reset Value: 00h									
BIT	SYMBOL	FUNCTION							
CMOD.7	CIDL	Counter Idle Control: CIDL = 0 programs the PCA Counter to continue functioning during Idle Mode. CIDL = 1 programs it to be gated off during idle.							
CMOD.6	WDTE	Watchdog Timer Enable: WDTE = 0 disables watchdog timer function on module 4. WDTE = 1 enables it.							
CMOD.5-3	-	Reserved for future use. Should be set to 0 by user programs.							
CMOD.2-1	CPS1,CPS0	PCA Count Pulse Select:							
		CPS1	CPS0	Select PCA Input					
		0	0	0 Internal Clock, $f_{OSC} / 6$					
		0	1	1 Internal Clock, $f_{OSC} / 2$					
		1	0	2 Timer 0 Overflow					
		1	1	3 External Clock at ECI/P1.2 pin (max rate = $f_{OSC} / 4$ )					
CMOD.0	ECF	PCA Enable Counter Overflow Interrupt: ECF = 1 enables CF bit in CCON to generate an interrupt. ECF = 0 disables that function.							

Figure 67: CMOD: PCA Counter Mode Register

## Extended Address Range Microcontroller

P89C669

<b>CCON</b>		7	6	5	4	3	2	1	0
Address: 0D8H		CF	CR	-	CCF4	CCF3	CCF2	CCF1	CCF0
Bit addressable									
Reset Value: 00h									
<b>BIT</b>	<b>SYMBOL</b>	<b>FUNCTION</b>							
CCON.7	CF	PCA Counter Overflow Flag. Set by hardware when the counter rolls over. CF flags an interrupt if bit ECF in CMOD is set. CF may be set by either hardware or software but can only be cleared by software.							
CCON.6	CR	PCA Counter Run Control Bit. Set by software to turn the PCA counter on. Must be cleared by software to turn the PCA counter off.							
CCON.5	-	Reserved for future use. Should be set to 0 by user programs.							
CCON.4	CCF4	PCA Module 4 Interrupt Flag. Set by hardware when a match or capture occurs. Must be cleared by software.							
CCON.3	CCF3	PCA Module 3 Interrupt Flag. Set by hardware when a match or capture occurs. Must be cleared by software.							
CCON.2	CCF2	PCA Module 2 Interrupt Flag. Set by hardware when a match or capture occurs. Must be cleared by software.							
CCON.1	CCF1	PCA Module 1 Interrupt Flag. Set by hardware when a match or capture occurs. Must be cleared by software.							
CCON.0	CCF0	PCA Module 0 Interrupt Flag. Set by hardware when a match or capture occurs. Must be cleared by software.							

Figure 68: PCA Counter Control Register

Extended Address Range Microcontroller

P89C669

<b>CCAPMn</b>	7	6	5	4	3	2	1	0
Address: CCAPM0 0DAH CCAPM1 0DBH CCAPM2 0DCH CCAPM3 0DDH CCAPM4 0DEH	-	ECOMn	CAPPn	CAPNn	MATn	TOGn	PWMn	ECCFn
Not bit addressable								
Reset Value: 00h								
<b>BIT</b>	<b>SYMBOL</b>	<b>FUNCTION</b>						
CCAPMn.7	-	Reserved for future use. Should be set to 0 by user programs.						
CCAPMn.6	ECOMn	Enable Comparator. ECOMn = 1 enables the comparator function.						
CCAPMn.5	CAPPn	Capture Positive, CAPPn = 1 enables positive edge capture.						
CCAPMn.4	CAPNn	Capture Negative, CAPNn = 1 enables negative edge capture.						
CCAPMn.3	MATn	Match. When MATn = 1 a match of the PCA counter with this module's compare/capture register causes the CCFn bit in CCON to be set, flagging an interrupt.						
CCAPMn.2	TOGn	Toggle. When TOGn = 1, a match of the PCA counter with this module's compare/capture register causes the CEXn pin to toggle.						
CCAPMn.1	PWMn	Pulse Width Modulation Mode. PWMn = 1 enables the CEXn pin to be used as a pulse width modulated output.						
CCAPMn.0	ECCFn	Enable CCF Interrupt. Enables compare/capture flag CCFn in the CCON register to generate an interrupt.						

Figure 69: CCAPMn: PCA Modules Compare/Capture Registers

ECOMn	CAPPn	CAPNn	MATn	TOGn	PWMn	ECCFn	Module Function
0	0	0	0	0	0	0	No Operation
x	1	0	0	0	0	x	16-bit capture by a positive-edge trigger on CEXn
x	0	1	0	0	0	x	16-bit capture by a negative-edge trigger on CEXn
x	1	1	0	0	0	x	16-bit capture by any transition on CEXn
1	0	0	1	0	0	x	16-bit software timer
1	0	0	1	1	0	x	16-bit high speed output
1	0	0	0	0	1	0	8-bit PWM
1	0	0	1	x	0	x	Watchdog timer

Table 23: PCA Module Modes (CCAPMn Register)

6.10.1 PCA CAPTURE MODE

To use one of the PCA modules in the capture mode (Figure 70) either one or both of the CCAPM bits CAPN and CAPP for that module must be set. The external CEX input for the module (on port 1) is sampled for a transition. When a valid transition occurs the PCA hardware loads the value of the PCA counter registers (CH and CL) into the module's capture registers (CCAPnL and CCAPnH).

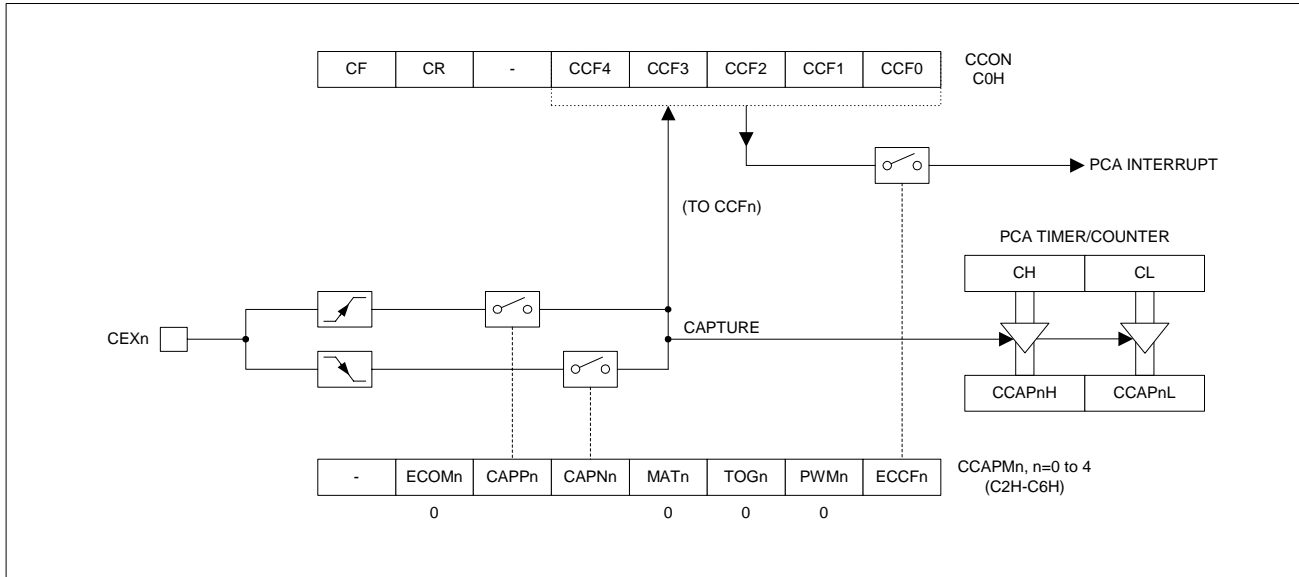


Figure 70: PCA Capture Mode

If the CCFn bit for the module in the CCON SFR and the ECCFn bit in the CCAPMn SFR are set then an interrupt will be generated.

### 6.10.2 16-BIT SOFTWARE TIMER MODE

The PCA modules can be used as software timers (Figure 71) by setting both the ECOM and MAT bits in the modules CCAPMn register. The PCA timer will be compared to the module's capture registers and when a match occurs an interrupt will occur if the CCFn (CCON SFR) and the ECCFn (CCAPMn SFR) bits for the module are both set.

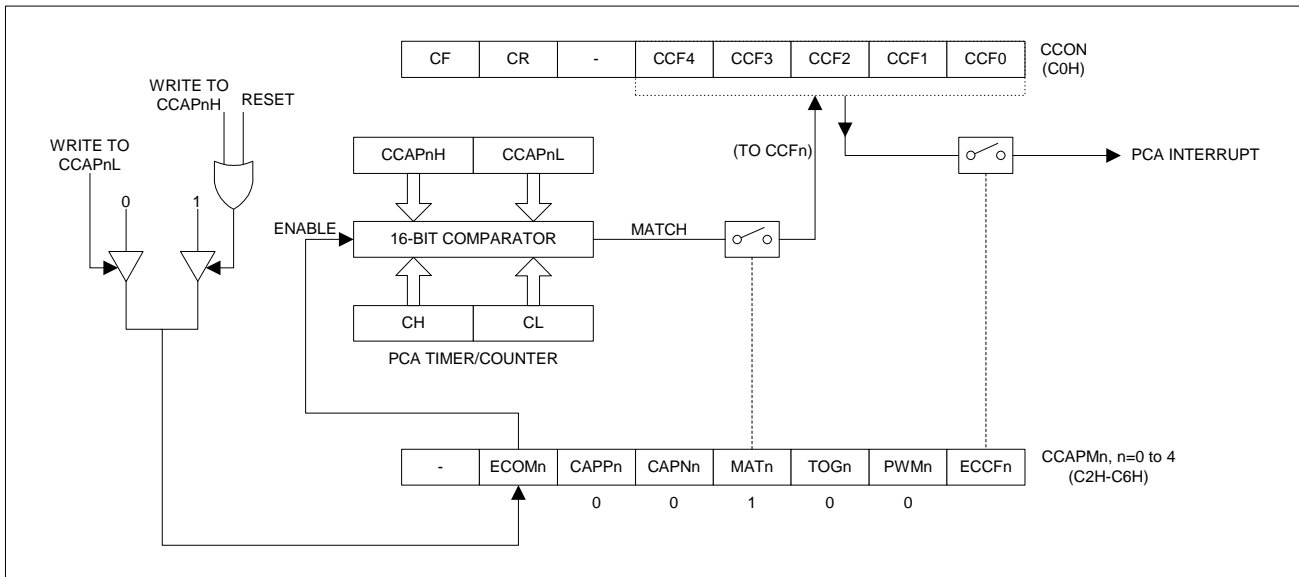


Figure 71: PCA Compare Mode

### 6.10.3 HIGH SPEED OUTPUT MODE

In this mode (Figure 72) the CEX output (on port 1) associated with the PCA module will toggle each time a match occurs between the PCA counter and the module's capture registers. To activate this mode the TOG, MAT, and ECOM bits in the module's CCAPMn SFR must be set.

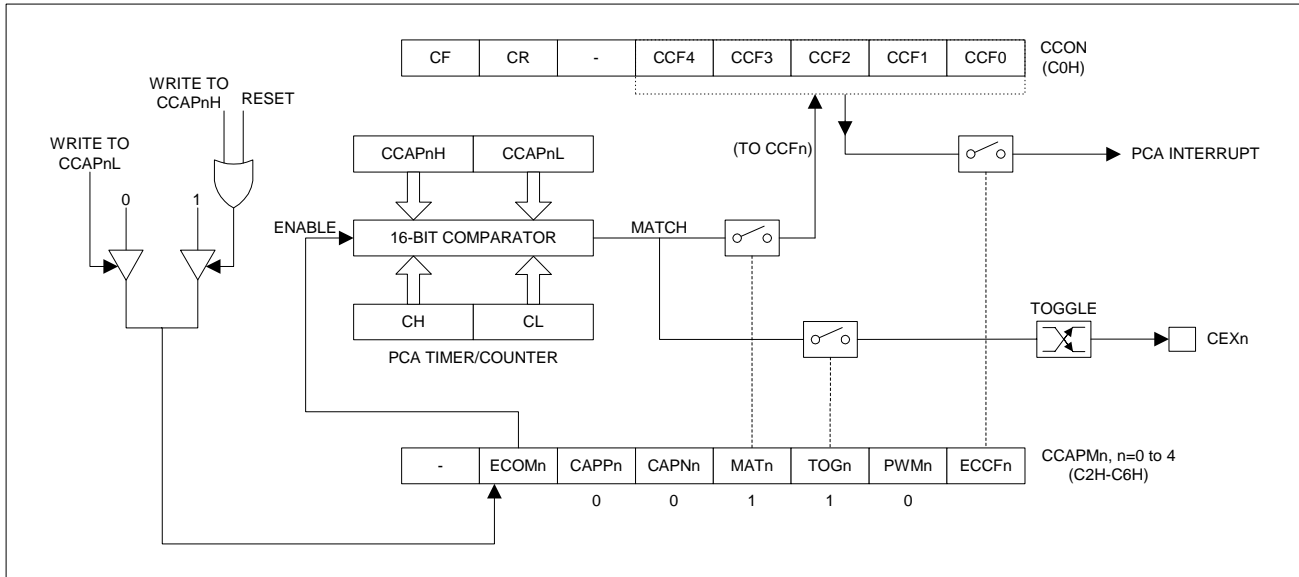


Figure 72: PCA High Speed Output Mode

### 6.10.4 PULSE WIDTH MODULATOR MODE

All of the PCA modules can be used as PWM outputs (Figure 73). Output frequency depends on the source for the PCA timer.

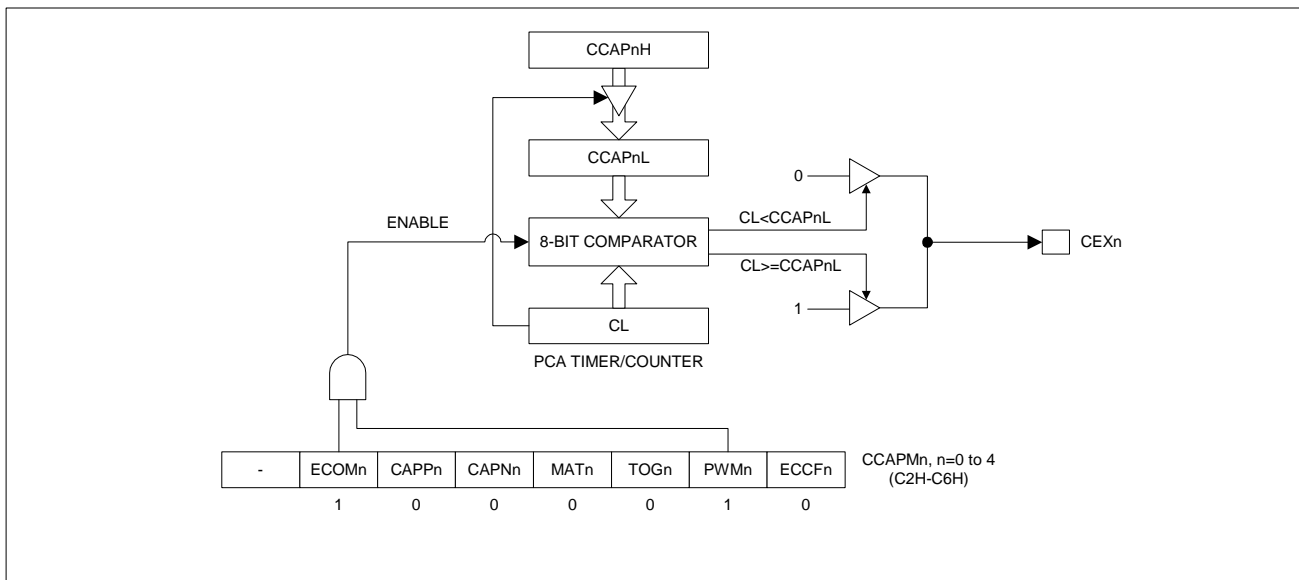


Figure 73: PCA PWM Mode

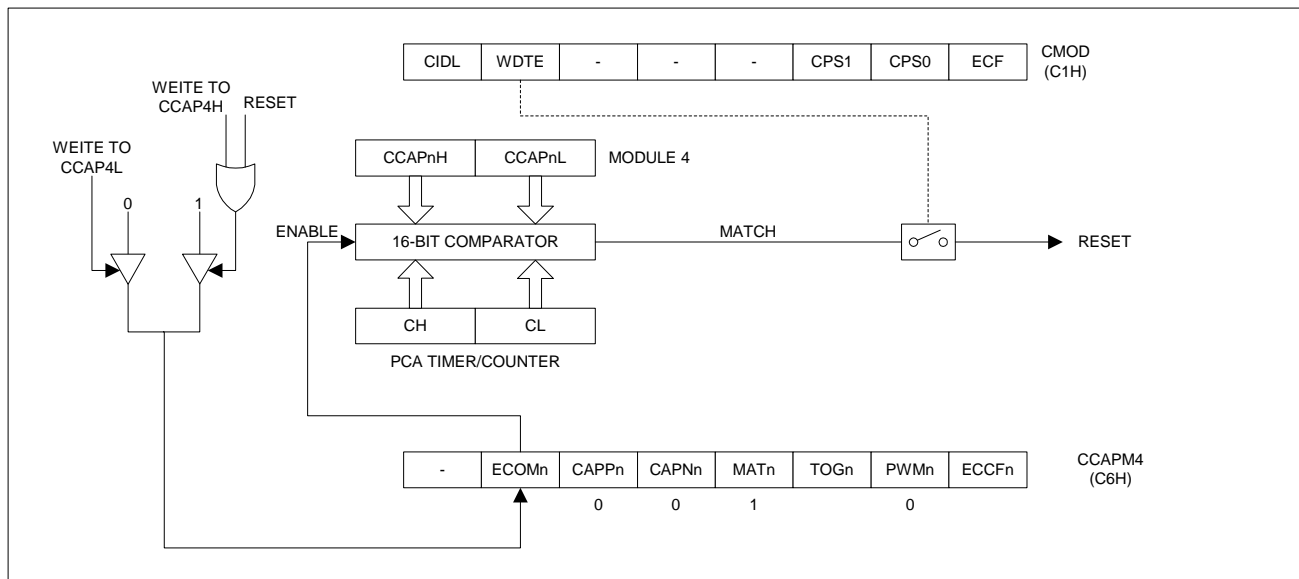
## Extended Address Range Microcontroller

P89C669

All of the modules will have the same frequency of output because they all share one and only PCA timer. The duty cycle of each module is independently variable using the module's capture register CCAPnL. When the value of the PCA CL SFR is less than the value in the module's CCAPnL SFR the output will be low, when it is equal to or greater than the output will be high. When CL overflows from FF to 00, CCAPnL is reloaded with the value in CCAPnH. This allows updating the PWM without glitches. The PWM and ECOM bits in the module's CCAPMn register must be set to enable the PWM mode.

### 6.10.5 PCA WATCHDOG TIMER

An on-board watchdog timer is available with the PCA to improve the reliability of the system without increasing chip count. Watchdog timers are useful for systems that are susceptible to noise, power glitches, or electrostatic discharge. Module 4 is the only PCA module that can be programmed as a watchdog. However, this module can still be used for other modes if the watchdog is not needed. Figure 74 shows a diagram of how the watchdog works. The user pre-loads a 16-bit value in the compare registers. Just like the other compare modes, this 16-bit value is compared to the PCA timer value. If a match is allowed to occur, an internal reset will be generated. This will not cause the RST pin to be driven high.



**Figure 74: PCA Watchdog Timer (Module 4 only)**

Module 4 can be configured in either compare mode, and the WDTE bit in CMOD must also be set. The user's software then must periodically change (CCAP4H, CCAP4L) to keep a match from occurring with the PCA timer (CH, CL). This code is given in the WATCHDOG routine shown above.

In order to hold off the reset, the user has three options:

1. periodically change the compare value so it will never match the PCA timer,
2. periodically change the PCA timer value so it will never match the compare values, or
3. disable the watchdog by clearing the WDTE bit before a match occurs and then re-enable it.

The first two options are more reliable because the watchdog timer is never disabled as in option #3. If the program counter ever goes astray, a match will eventually occur and cause an internal reset. The second option is also not recommended if other PCA modules are being used. Remember, the PCA timer is the time base for **all** modules; changing the time base for other modules would not be a good idea. Thus, in most applications the first solution is the best option.

---

**Extended Address Range Microcontroller**

---

**P89C669**

The following shows the code for initializing the watchdog timer:

INIT\_WATCHDOG:

```
MOV    CCAPM4,#04Ch    ;Module 4 in compare mode
MOV    CCAP4L,#0FFh    ;Write to low byte first
MOV    CCAP4H,#0FFh    ;Before PCA counts up to FFFFh, these compare values must be changed
ORL    CMOD,#040h      ;Set the WDTE bit to enable the watchdog timer without changing the
                        ;other bits in CMOD
```

;CALL the following WATCHDOG subroutine periodically.

```
CLR    EA              ;Hold off interrupts
MOV    CCAP4L,#00      ;Next compare value is within 255 counts of current PCA timer value
MOV    CCAP4H,CH
SETB   EA              ;Re-enable interrupts
RET
```

This routine should not be part of an interrupt service routine, because if the program counter goes astray and gets stuck in an infinite loop, interrupts will still be serviced and the watchdog will keep getting reset. Thus, the purpose of the watchdog would be defeated. Instead, call this subroutine from the main program within  $2^{16}$  count of the PCA timer.



## 7 FLASH MEMORY GENERAL DESCRIPTION

The P89C669 Flash memory augments EPROM functionality with in-circuit electrical erasure and programming. The Flash can be read and written as bytes. The Chip Erase operation will erase the entire program memory. The Block Erase function can erase any Flash byte block. In-system programming and standard parallel programming are both available. On-chip erase and write timing generation contribute to a user friendly programming interface. The P89C669 Flash reliably stores memory contents even after 10,000 erase and program cycles. The cell is designed to optimize the erase and programming mechanisms. In addition, the combination of advanced tunnel oxide processing and low internal electric fields for erase and programming operations produces reliable cycling. The P89C669 uses a +5 V  $V_{PP}$  supply to perform the Program/Erase algorithms.

### 7.1 IN-SYSTEM PROGRAMMING (ISP) AND IN-APPLICATION PROGRAMMING (IAP)

- Flash internal program memory with Block Erase.
- Internal 4kB Boot Flash, containing low-level in-system programming routines and a default UART0 loader. User program can call these routines to perform In-Application Programming (IAP). The BootFlash can be turned off to provide access to the full 8MB memory space.
- Boot vector allows user provided Flash loader code to reside anywhere in the Flash memory space. This configuration provides flexibility to the user.
- Default loader in BootFlash allows programming via the UART0 interface without the need for a user provided loader.
- Up to 8MB of external program memory if the internal program memory is disabled (EA = 0).
- +5 V programming and erase voltage.
- Read/Programming/Erase using ISP/IAP:
  - Byte Programming (20 us).
  - Typical quick erase times (including preprogramming time):
    - Block Erase (8KB) in 1 second.
    - Full Erase (96KB) in 1 second.
- Parallel programming with 87C51- like hardware interface to programmer.
- Programmable security for the code in the Flash.
- 10000 minimum erase/program cycles for each byte.
- 10 year minimum data retention.

### 7.2 CAPABILITIES OF THE PHILIPS 89C51 FLASH-BASED MICROCONTROLLER

#### 7.2.1 FLASH ORGANIZATION

The P89C669 contains 96 kbytes of Flash program memory. This memory is organized as 12 separate blocks, each block containing 8KB. Table 75 depicts the Flash memory configurations.

#### 7.2.2 FLASH PROGRAMMING AND ERASURE

There are three methods of erasing or programming of the Flash memory that may be used. First, the Flash may be programmed or erased in the end-user application by calling low-level routines through a common entry point in the BootFlash. The end-user application, though, must be executing code from a different block than the block that is being erased or programmed.

Extended Address Range Microcontroller

P89C669

Second, the on-chip UART0 ISP boot loader may be invoked. This ISP boot loader will, in turn, call low-level routines through the same common entry point in the BootFlash that can be used by the end-user application. Third, the Flash may be programmed or erased using the parallel method by using a commercially available EPROM programmer. The parallel programming method used by these devices is similar to that used by EPROM 87C51, but it is not identical, and the commercially available programmer will need to have support for these devices.

**7.2.3 BOOT FLASH**

When the microcontroller programs its own Flash memory, all of the low level details are handled by code that is contained in a 4kB "BootFlash" that is separate from the Flash memory. A user program simply calls the common entry point with appropriate parameters in the BootFlash to accomplish the desired operation. BootFlash operations include things like: erase block, program byte, verify byte, program security lock bit, etc. The BootFlash overlays the program memory space from addresses 00:F000 to 00:FFFF hex, when it is enabled. The default boot vector location which is the start of the ISP routines is 00:FC00. The BootFlash may be turned off (ENBOOT=0) so that the upper 4kB of program memory are accessible for execution. In order to access the BootFlash, the device must not be using extended addressing mode (EAM=0).

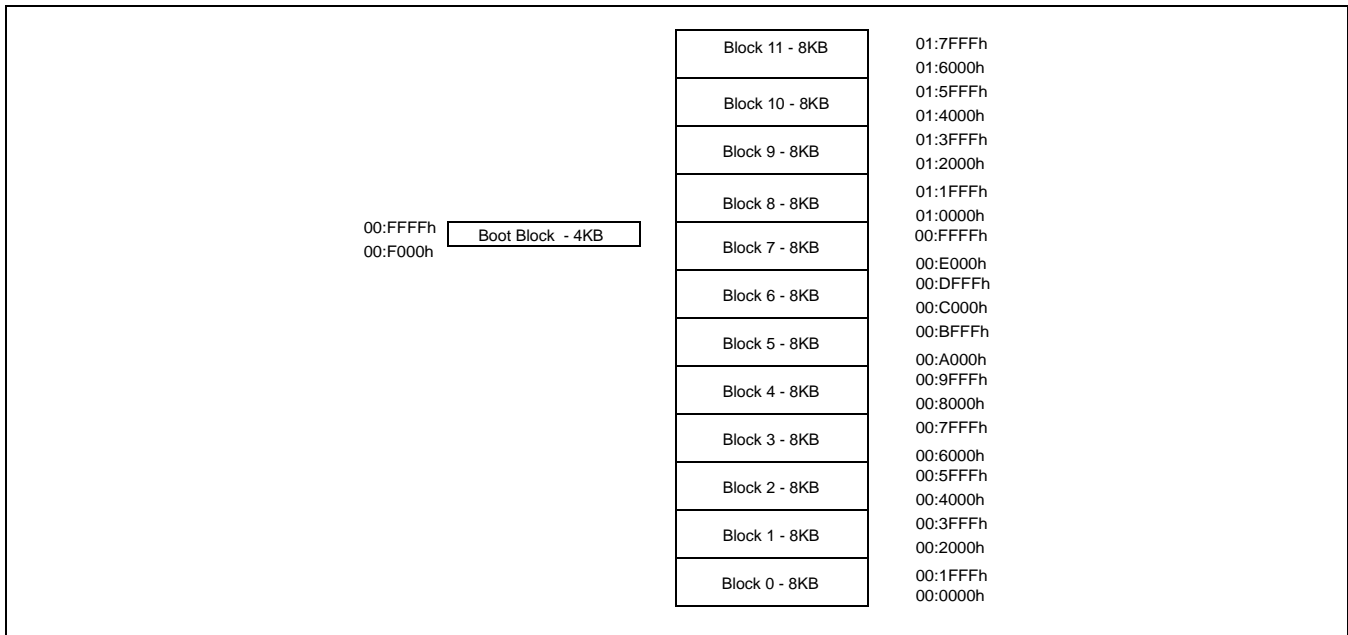


Figure 75: Flash Memory Configuration

**7.2.4 POWER-ON RESET CODE EXECUTION**

The P89C669 contains two special Flash elements, the BootVector and the Status Byte. The BootVector is 16-bits and consists of the BootVector High byte (BVH) and the BootVector Middlebyte (BVM). At the falling edge of reset, the P89C669 examines the contents of the Status Byte. If the Status Byte is set to zero, power-up execution starts at location 00:0000H, which is the normal start address of the user's application code. When the Status Byte is set to a value other than zero, the contents of the BVH is used as the high byte of the execution address (A22:A16), the contents of BVM is used as the middle byte of the execution address (A15:A8) and the low byte is set to 00H (A7:A0). The factory default setting is BVH= 00h & BVM = FCh, corresponding to the address 00:FC00h for the Boot Flash ISP boot loader. A custom boot loader can be written with the Boot Vector set to the custom boot loader.

**NOTE:** When erasing the Status Byte or Boot Vector, all three bytes are erased at the same time. It is necessary to reprogram the Boot Vector bytes after erasing and updating the Status Byte.

### 7.3 HARDWARE ACTIVATION OF THE BOOT LOADER

The boot loader can also be executed by holding PSEN LOW, EA greater than  $V_{IH}$  (such as +5 V), and ALE HIGH (or not connected) at the falling edge of RESET. This is the same effect as having a non-zero status byte. This allows an application to be built that will normally execute the end user's code but can be manually forced into ISP operation. If the factory default setting for the Boot Vector (00:FC) is changed, it will no longer point to the ISP BootFlash loader code. If this happens, the only way it is possible to change the contents of the Boot Vector is through the parallel programming method, provided that the end user application does not contain a customized loader that provides for erasing and reprogramming of the Boot Vector and Status Byte. After programming the Flash, the status byte should be programmed to zero in order to allow execution of the user's application code beginning at address 00:0000H.

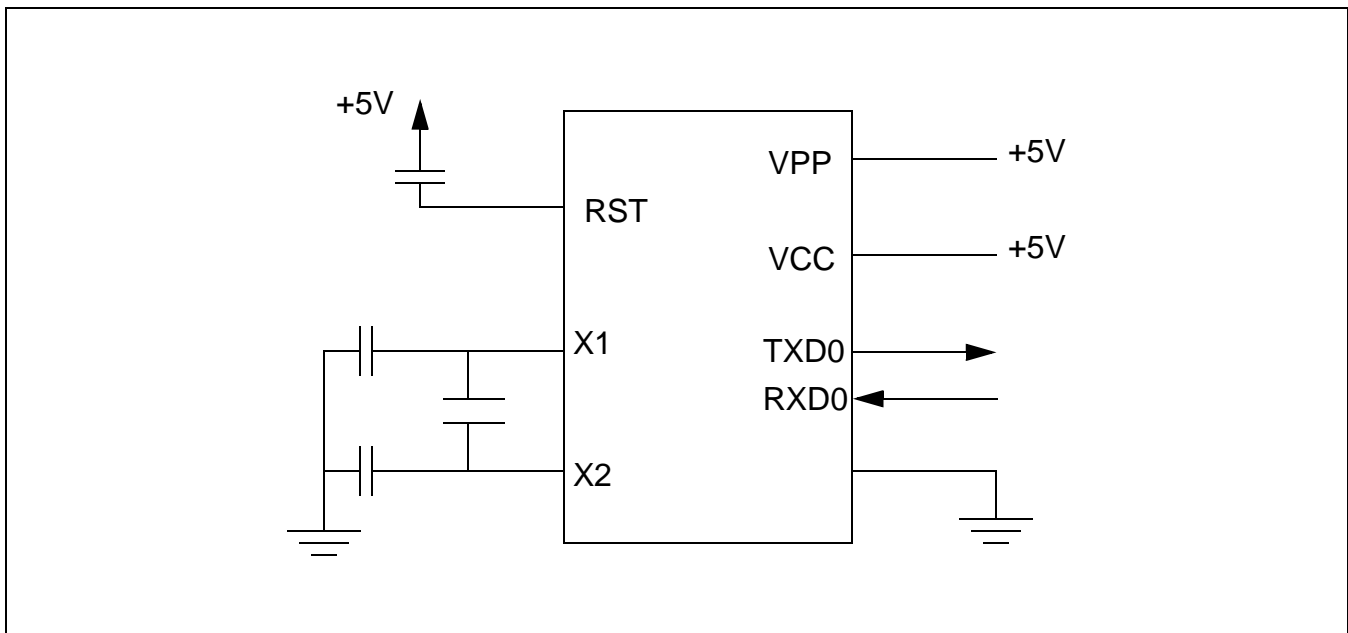


Figure 76: In-System Programming with a Minimum of Pins

### 7.4 IN-SYSTEM PROGRAMMING (ISP)

The In-System Programming (ISP) is performed without removing the microcontroller from the system. The In-System Programming (ISP) facility consists of a series of internal hardware resources coupled with internal firmware to facilitate remote programming of the P89C669 through the UART0 serial interface. This firmware is provided by Philips and embedded within each P89C669 device. The Philips In-System Programming (ISP) facility has made in-circuit programming in an embedded application possible with a minimum of additional expense in components and circuit board area. The ISP function uses five pins: TXD0, RXD0,  $V_{SS}$ ,  $V_{CC}$ , and  $V_{PP}$  (see Figure 76). Only a small connector needs to be available to interface your application to an external circuit in order to use this feature. The  $V_{PP}$  supply should be adequately decoupled and  $V_{PP}$  not allowed to exceed

datasheet limits.

### 7.4.1 USING THE IN-SYSTEM PROGRAMMING (ISP)

The UART0 ISP provides user with a number of features, among which is the specially defined protocol that enables communication with the host over UART0. In most cases PC compatible computer would be the host: it would send commands over serial port to P89C669 and wait for microcontroller's response.

**Table 24: List of Commands/Record Types P89C669 Accepts in ISP Mode**

Commands/ Record type (sent by host)	Function
00H	<p><b><u>Program Code Memory</u></b></p> <p><b>Format:</b> :nnaaaa00dd...ddcc</p> <p><b>Where:</b>            nn = number of data bytes in record            aaaa = middle and low bytes of address of first byte in record                  (high byte set via segment record [rec type 04])            00 = function code for program code memory            dd...dd = data bytes            cc = checksum</p>
01H	<p><b><u>End of File (EOF), no operation</u></b></p> <p><b>Format:</b> :00xxxx01cc</p> <p><b>Where:</b>            00 = number of data bytes in record            xxxx = required field, but value is a "don't care"            01 = function code for EOF            cc = checksum</p>

## Extended Address Range Microcontroller

P89C669

Table 24: List of Commands/Record Types P89C669 Accepts in ISP Mode

Commands/ Record type (sent by host)	Function
03H	<p><b><u>Write Functions</u></b></p> <p><b>Format:</b> :nnxxxx03ffssddcc</p> <p><b>Where:</b>  nn = number of data bytes in record  xxxx = don't care  03 = function code for write functions  ff = subfunction code  ss = selection code  dd = data (if needed)  cc = checksum</p> <p><b>Subfunction Code = 01 (Erase Blocks)</b>  ff = 01  ss = high byte of block address  dd = middle byte of block address  ssdd = 0000 = block 0  0020 = block 1  ...  0100 = block 8  0120 = block 9  ...  0160 = block 11</p> <p><b>Subfunction Code = 04 (Erase Boot Vector, Status Byte)</b>  ff = 04  ss = don't care</p> <p><b>Subfunction Code = 05 (Program Security Bits)</b>  ff = 05  ss = 00 = program security bit 1  01 = program security bit 2  02 = program security bit 3</p> <p><b>Subfunction Code = 06 (Program Special Cells)</b>  ff = 06  ss = 00 = program status byte  01 = program boot vector middle  02 = program boot vector high  dd = data to be programmed</p> <p><b>Subfunction Code = 07 (Full Chip Erase)</b>  ff = 07  ss = don't care  dd = don't care (may optionally be omitted)</p>

## Extended Address Range Microcontroller

P89C669

Table 24: List of Commands/Record Types P89C669 Accepts in ISP Mode

Commands/ Record type (sent by host)	Function
04H	<p><b><u>Set Segment for File Loading (compatible with Intel 386 HEX format)</u></b></p> <p><b>Format:</b> :02xxxx04xxhhcc</p> <p><b>Where:</b> 02 = number of data bytes in record xxxx = required field, but contents are don't care 04 = function code for set segment and file loading xx = required field, but contents are don't care hh = high byte of load address, typically 00, 01, 80 or 81 cc = checksum</p>
05H	<p><b><u>Read Functions</u></b></p> <p><b>Format:</b> :02xxxx05ffsscc</p> <p><b>Where:</b> 02 = number of data bytes in record xxxx = don't care 05 = function code for read functions ffss = subfunction and selection code 0000 = read manufacturer id 0001 = read device id #1 0002 = read device id #2 0003 = read ISP version 0004 = read IAP version 0700 = read security bits 0701 = read status byte 0702 = read boot vector middle 0703 = read boot vector high cc = checksum</p>
06H	<p><b><u>Direct Load of Baud Rate</u></b></p> <p><b>Format:</b> :02xxxx06hhllcc</p> <p><b>Where:</b> 02 = number of data bytes in record xxxx = don't care 06 = function code for direct load of baud rate hh = high byte of Timer2 ll = low byte of Timer2 cc = checksum</p>

**Table 24: List of Commands/Record Types P89C669 Accepts in ISP Mode**

Commands/ Record type (sent by host)	Function
<b>07H</b>	<p><b><u>Display Device data or Blank Check</u></b></p> <p><b>Format:</b> :07xxxx07sssssseeeeeeffcc</p> <p><b>Where:</b></p> <p>07 = number of data bytes in record            xxxx = don't care            07 = function code for display/blank check            ssssss = starting address, MSB first            eeeeeee = ending address, MSB first            ff = subfunction                00 = display data                01 = blank check            cc = checksum</p>

More details on how ISP operates can be found in application note AN461, "In-circuit and In-application programming of the 89C51Rx+/Rx2/66x microcontrollers".

### 7.4.2 IN APPLICATION PROGRAMMING METHOD

Several In Application Programming (IAP) calls are available for use by an application program to permit selective erasing and programming of Flash sectors. All calls are made through a common interface, PGM\_MTP. The programming functions are selected by setting up the microcontroller's registers before making a call to PGM\_MTP at 00:FFF0h. Results are returned in the registers. The IAP calls are shown in Table 25.

### 7.4.3 USING THE WATCHDOG TIMER (WDT)

The P89C669 supports the use of the WDT in IAP. The user specifies that the WDT is to be fed by setting the most significant bit of the function passed in R1 prior to calling PGM\_MTP. Requesting a WDT feed during IAP should only be performed in applications that use the WDT since the process of feeding the WDT will start the WDT if the WDT was not running.

## Extended Address Range Microcontroller

P89C669

Table 25: IAP calls

IAP Function	IAP CALL PARAMETER
<b>PROGRAM DATA BYTE</b>	<b>Input Parameters:</b> R1 = 02h EPTR = address of byte to program ACC = byte to program <b>Return Parameter</b> ACC = 00 if passed, !00 if failed
<b>ERASE BLOCK</b>	<b>Input Parameters:</b> R1 = 0Ch EPH = 00h EPM = 00h = block 0, 0k to 8k 20h = block 1, 8k to 16k 40h = block 2, 16k to 24k 60h = block 3, 24k to 32k 80h = block 4, 32k to 40k A0h = block 5, 40k to 48k C0h = block 6, 48k to 56k E0h = block 7, 56k to 64k EPH = 01h EPM = 00h = block 8, 64k to 72k 20h = block 9, 72k to 80k 40h = block10, 80k to 88k 60h = block11, 88k to 96k <b>Return Parameter</b> ACC = 00 if passed, !00 if failed
<b>ERASE STATUS BYTE &amp; BOOT VECTOR BYTES</b>	<b>Input Parameters:</b> R1 = 04h <b>Return Parameter</b> ACC = 00 if passed, !00 if failed



## Extended Address Range Microcontroller

P89C669

Table 25: IAP calls

IAP Function	IAP CALL PARAMETER
<b>PROGRAM SPECIAL CELL</b>	<b>Input Parameters:</b> R1 = 06h EPL = 00h = program status byte 01h = program boot vector 0 02h = program boot vector 1 03h = reserved 04h = program config ACC = byte to program <b>Return Parameter</b> ACC = 00 if passed, !00 if failed
<b>PROGRAM SECURITY BITS</b>	<b>Input Parameters:</b> R1 = 05h EPL = 00h = program security bit 1 01h = program security bit 2 02h = program security bit 3 <b>Return Parameter</b> ACC = 00 if passed, !00 if failed
<b>READ ID BYTES</b>	<b>Input Parameters:</b> R1 = 00h EPH = 00h = manufacturer ID 01h = device ID #1 02h = device ID #2 80h = ROM code version <b>Return Parameter</b> ACC = value of byte read
<b>READ SPECIAL CELL</b>	<b>Input Parameters:</b> R1 = 07h EPL = 00h = status byte 01h = boot sector 0 02h = boot sector 1 03h = reserved 04h = config byte 05h = security bits <b>Return Parameter</b> ACC = value of byte read

---

# Extended Address Range Microcontroller

# P89C669

---

## Definitions

**Short-form specification** — The data in a short-form specification is extracted from a full data sheet with the same type number and title. For detailed information see the relevant data sheet or data handbook.

**Limiting values definition** — Limiting values given are in accordance with the Absolute Maximum Rating System (IEC 60134). Stress above one or more of the limiting values may cause permanent damage to the device. These are stress ratings only and operation of the device at these or at any other conditions above those given in the Characteristics sections of the specification is not implied. Exposure to limiting values for extended periods may affect device reliability.

**Application information** — Applications that are described herein for any of these products are for illustrative purposes only. Philips Semiconductors make no representation or warranty that such applications will be suitable for the specified use without further testing or modification.

## Disclaimers

**Life support** — These products are not designed for use in life support appliances, devices, or systems where malfunction of these products can reasonably be expected to result in personal injury. Philips Semiconductors customers using or selling these products for use in such applications do so at their own risk and agree to fully indemnify Philips Semiconductors for any damages resulting from such application.

**Right to make changes** — Philips Semiconductors reserves the right to make changes in the products—including circuits, standard cells, and/or software—described or contained herein in order to improve design and/or performance. When the product is in full production (status 'Production'), relevant changes will be communicated via a Customer Product/Process Change Notification (CPCN). Philips Semiconductors assumes no responsibility or liability for the use of any of these products, conveys no license or title under any patent, copyright, or mask work right to these products, and makes no representations or warranties that these products are free from patent, copyright, or mask work right infringement, unless otherwise specified.

---

## Contact information

For additional information please visit  
<http://www.semiconductors.philips.com>. Fax: +31 40 27 24825

© Koninklijke Philips Electronics N.V. 2003  
All rights reserved. Printed in U.S.A.

For sales offices addresses send e-mail to:  
[sales.addresses@www.semiconductors.philips.com](mailto:sales.addresses@www.semiconductors.philips.com)

Date of release: 06-03

Document order number: 9397 750 11653

*Let's make things better.*